



LOGLI
MASSIMO®
glass system technology



8

SYSTEMS FOR
SHOWER PARTITIONS

SYSTEMS FOR SHOWER PARTITIONS



**SHOWER PARTITIONS
GIUMAX FLAT**
Page 590



BDFIX
Page 598



**SHOWER PARTITIONS
GIUMAX**
Page 610



**SHOWER PARTITIONS
NOVI3000**
Page 628



UV BONDING HINGES
Page 634



**SQUARE SERIES
HINGES 10/12**
Page 639



**SQUARE SERIES
LOCKS 10/12**
Page 645



**SQUARE SERIES
HINGES 6/8**
Page 650



**SQUARE SERIES
LOCKS 6/8**
Page 654



**SQUARE SERIES
CLAMPS 10/12**
Page 657



**SQUARE SERIES
SAFETY BARS**
Page 664



**SQUARE SERIES
ACCESSORIES**
Page 668



**HD SERIES ADJUSTABLE
HINGES WITH COVER**
Page 670



**ADJUSTABLE SNAP
HINGES**
Page 678



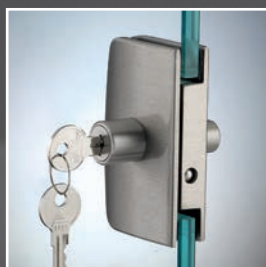
**ADJUSTABLE PIVOT
HINGES 42 kg**
Page 684



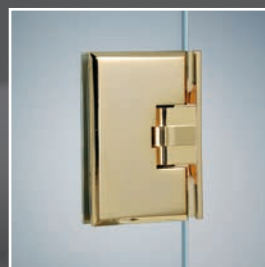
700 SNAP HINGES
Page 686



400 SERIES CLAMPS
Page 687



**400 SERIES LOCKS AND LATCHES
WITH HOLES ON THE GLASS**
Page 689



**HINGES AND GLASS CLAMPS
FOR SHOWER CUBICLES**
Page 692



ZAMAK HINGES
Page 699

SYSTEMS FOR BALUSTRADES
SYSTEMS FOR OUTDOORS
SYSTEMS FOR GLASS PARTITIONS
STEEL SYSTEMS FOR SLIDING DOORS
ALUMINIUM SYSTEMS FOR SLIDING DOORS
SYSTEMS FOR HINGED DOORS
PULL HANDLES AND INOBS



800 FREE HINGES
Page 700



200 FREE HINGES
Page 702



200 SERIES CLAMPS WITHOUT HOLES ON THE GLASS
Page 704



PIVOT-UP AND PIVOT-BATH
Page 708



SAFETY RODS
Page 715



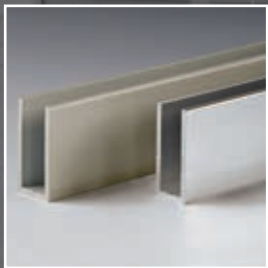
EXTENSIBLE RODS
Page 724



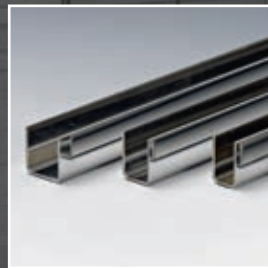
SHOWER OPEN
Page 726



ACCESSORIES FOR SHOWER BOX
Page 730



ALUMINIUM U PROFILES
Page 731



STEEL PROFILES
Page 732



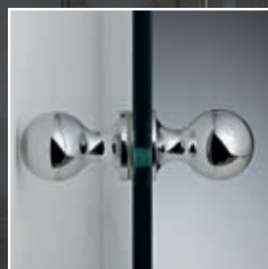
CANALMIRROR
Page 734



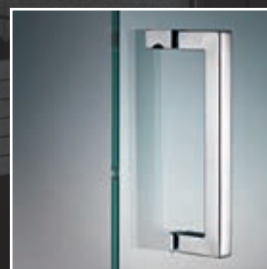
PROKROMO
Page 736



GASKETS
Page 738



KNOBS
Page 748



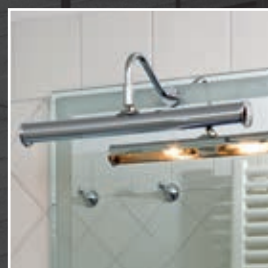
HANDLES FOR SHOWER PARTITIONS
Page 757



ACCESSORIES FOR MIRRORS
Page 760



ENLARGING MIRRORS
Page 770



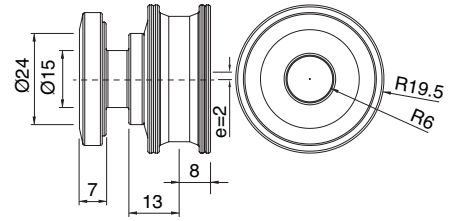
LIGHTING
Page 772





SLIDING ROLLER

Material: AISI 304 steel
Features: Ø 39mm eccentric sliding roller for 30 x 10mm rectangular section rail Item GLMFT
Finish: polished steel, brushed steel

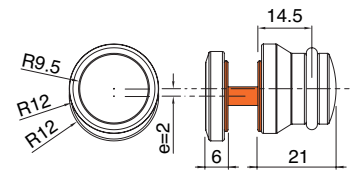


Art. GLMFT12	For glass 8 mm	Glass hole Ø 17 mm	Q.ty 1 Pc
------------------------	--------------------------	------------------------------	---------------------



ECCENTRIC ANTIDERAILING ROLLER

Material: AISI 304 steel
Features: Ø 24mm eccentric sliding roller for 30 x 10mm rectangular section rail Item GLMFT
Finish: polished steel, brushed steel

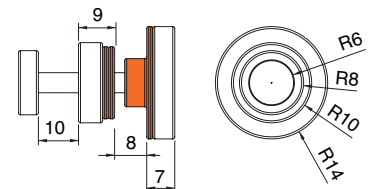


Art. GLMFT14	For glass 8 mm	Glass hole Ø 12 mm	Q.ty 1 Pc
------------------------	--------------------------	------------------------------	---------------------



FIXED GLASS CONNECTION

Material: AISI 304 steel
Features: Ø 28mm fixed glass connection for 30 x 10mm rectangular section rail Item GLMFT
Rail hole Ø 6mm
Finish: polished steel, brushed steel

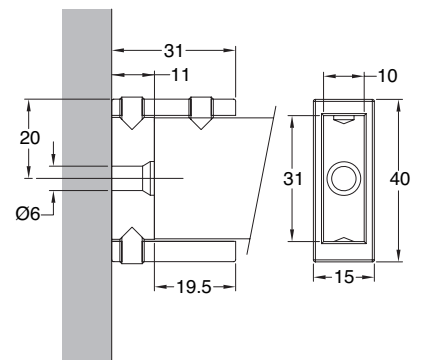


Art. GLMFT16	For glass 8 mm	Glass hole Ø 14 mm	Rail hole Ø 6 mm	Q.ty 1 Pc
------------------------	--------------------------	------------------------------	----------------------------	---------------------



WALL CONNECTION

Material: AISI 304 steel
Features: 40 x 31 x 15 wall connection for 30 x 10mm rectangular section rail Item GLMFT
Finish: polished steel, brushed steel

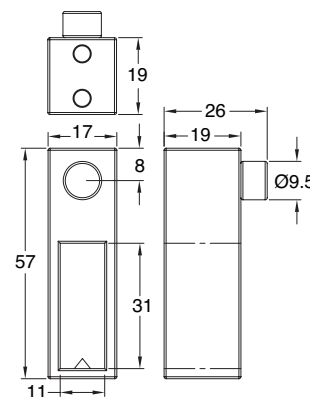


Art. GLMFT18	Q.ty 1 Pc
------------------------	---------------------



RUN STOP

Material: AISI 304 Steel
 Features: 57 x 17 x 19mm run stop for 30 x 10mm rectangular section rail Item GLMFT with rubber tip.
 Finish: polished steel, brushed steel



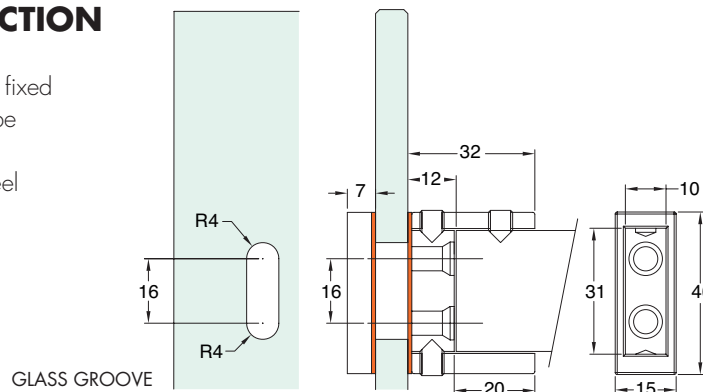
Art. **GLMFT20**

Q.ty
1 Pc



RAIL GLASS CONNECTION

Material: AISI 304 steel
 Features: 40 x 32 x 15 mm side fixed glass connection for rail. Rail to be inserted in the connection rest.
 Finish: polished steel, brushed steel



Art. **GLMFT37**

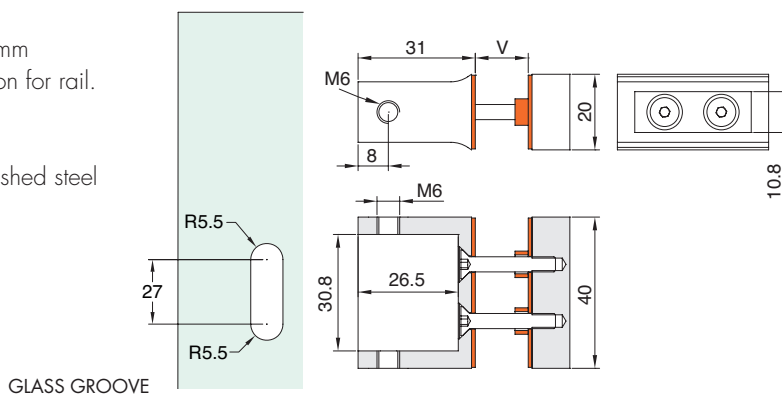
Glass
8 mm

Q.ty
1 Pc



RAIL GLASS CONNECTION WITH THICKER BASE

Material: AISI 304 steel
 Features: 40 x 31 x 20 mm side fixed glass connection for rail. Rail to be inserted in the connection rest.
 Finish: polished steel, brushed steel



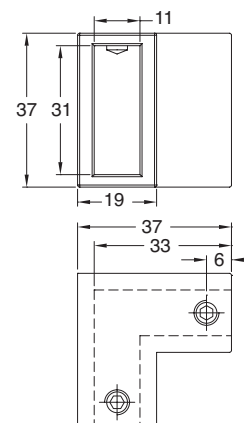
Art. **GLMFT508**

Q.ty
1 Pc



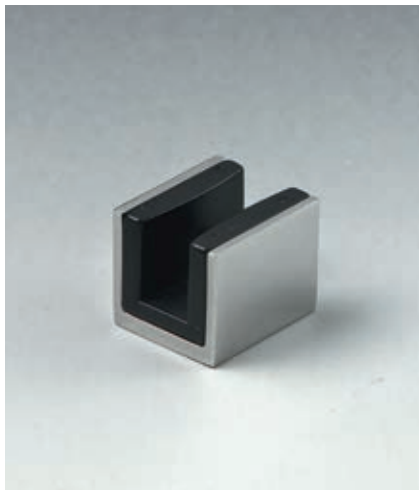
ANGULAR CONNECTION FOR 30 X 10 RAIL

Material: AISI 304 steel
 Features: 37x37x19 mm angular connection for 30 x 10mm rectangular section rail Item GLMFT
 Finish: polished steel, brushed steel



Art. **GLMFT90**

Q.ty
1 Pc

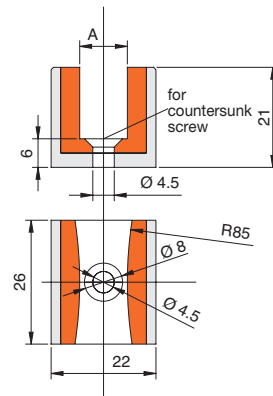


FLOOR GUIDE WITH STEEL HOUSING

Material: AISI 304 steel

Features: floor guide made of black plastic for 6 / 8 / 10mm glasses with AISI 304 steel housing to be fixed to the floor by means of a countersunk screw.

Finish: polished steel, brushed steel



Art.	For glass	Q.ty
GLMSPA06	A 6 mm	1 Pc
GLMSPA08	A 8 mm	1 Pc
GLMSPA10	A 10 mm	1 Pc



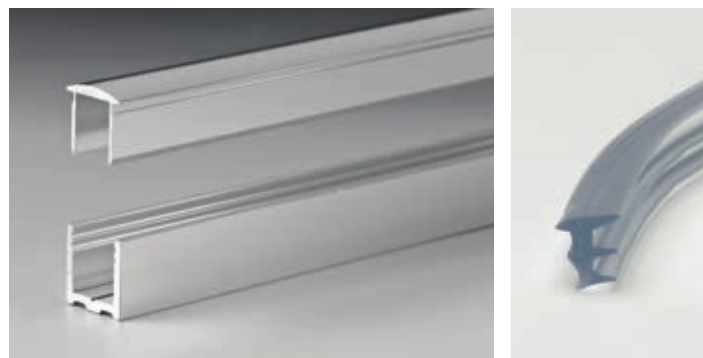
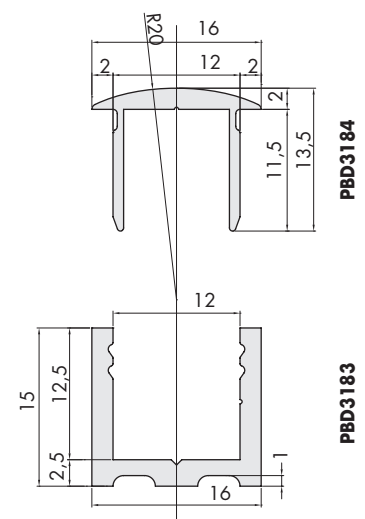
WATER CONTAINING PROFILE FOR SHOWER ENCLOSURES

Material: anodized aluminum

Features: U aluminum profile suitable for damp environments with hidden joints for floor sealing. Combinable with upper radial profile for visible parts without glass.

Finish: Polished aluminum, steel imitation aluminum

Minimum order 5 pcs also mixed

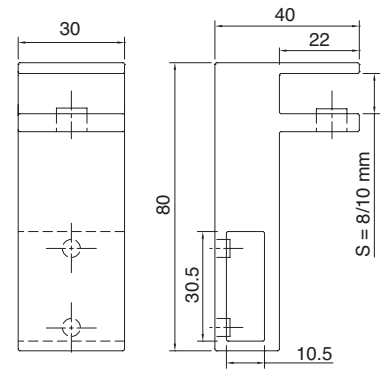


Art.	Description	Dimensions	Q.ty
PBD3183	U profile	3000 mm x 15 mm x 16 mm - inside 12 mm	1 Pc
PBD3184	Radial upper profile	3000 mm x 13,5 mm x 16 mm	1 Pc
PBD3184,150	Radial upper profile	1498 mm x 13,5 mm x 16 mm	1 Pc
UP4	Transparent glass stop profile	Thickness 4 mm	1 m



GLASS CONNECTION FOR 30x10 RAIL

Material: AISI 304 steel
 Features: glass connection for item GLMFT1000 / GLMFT2000 / GLMFT3000 rail
 Dimensions 40 x 30 x 80 mm
 Glass thickness 8/10 mm
 The rail is blocked by means of steel dowels on the rail and dowels with rubber tip on the glass
 Finish: polished steel, brushed steel



Art. **GLMFT40**

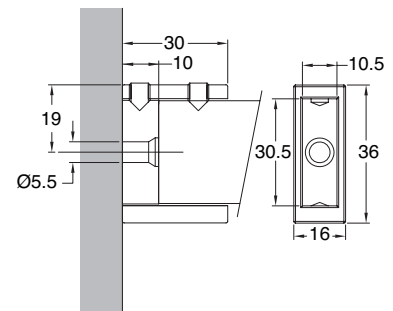
For glass 8 / 10 mm

Q.ty 1 Pc



WALL CONNECTION FOR 30x10 RAIL

Material: AISI 304 steel
 Features: wall connection for item GLMFT1000 / GLMFT2000 / GLMFT3000 rail
 Dimensions 36 x 30 x 16 mm
 The rail is blocked by means of steel dowels on the rail and dowels with rubber tip on the glass
 Finish: polished steel, brushed steel



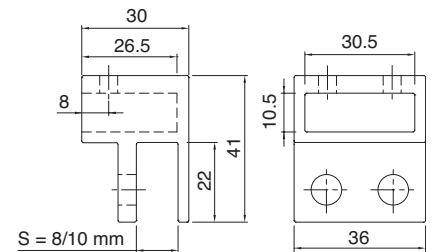
Art. **GLMFT30**

Q.ty 1 Pc



GLASS CONNECTION FOR 30x10 RAIL

Material: AISI 304 steel
 Features: glass connection for item GLMFT1000 / GLMFT2000 / GLMFT3000 rail
 Dimensions 36 x 30 x 41 mm
 Glass thickness 8/10 mm
 The rail is blocked by means of steel dowels on the rail and dowels with rubber tip on the glass
 Finish: polished steel, brushed steel



Art. **GLMFT50**

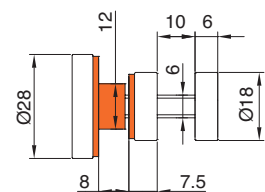
For glass 8 / 10 mm

Q.ty 1 Pc



FIXED FITTING FOR GLASS

Material: AISI 304 steel
 Features: fixed glass fitting Ø 28 mm for rectangular section track 30 x 10 mm Art. GLMFT
 Rail hole Ø 6 mm
 Finish: polished steel, satin-finished steel



Art. **GLMFT26**

For glass 8 mm

Glass hole Ø 14 mm

Rail hole Ø 6 mm

Q.ty 1 Pc



SYSTEMS FOR
BRILLIANT

SYSTEMS FOR
OUTDOORS

SYSTEMS FOR
GLASS PARTITIONS

STEEL
SYSTEMS FOR
SLIDING DOORS

ALUMINIUM
SYSTEMS FOR
SLIDING DOORS

SYSTEMS FOR
HINGED DOORS

PULL HANDLES
AND KNOBS

SYSTEMS FOR
SHOWER PARTITIONS



BDFIX2-SX



RIGHT

LEFT

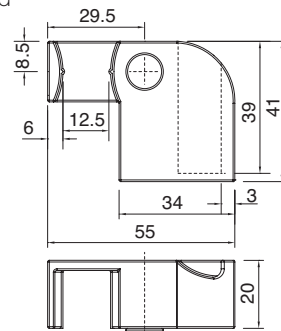
RIGHT OR LEFT BDFIX GUIDE

Material: AISI 304 steel

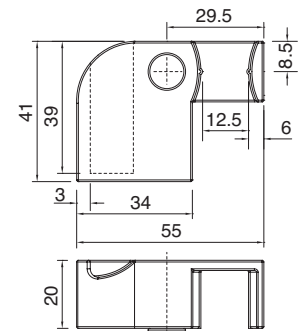
Features: guide for sliding shower partition with right or left seat for fixed glass to be fixed on the shower tray or directly to the floor on the fixed glass side. With seat for the insertion of BDFIX8 / BDFIX10 polished aluminum profile.

Supplied with chrome finished plastic hole covering cap

Finish: polished steel, satin-finished steel (polished chromed caps)



BDFIX-SX

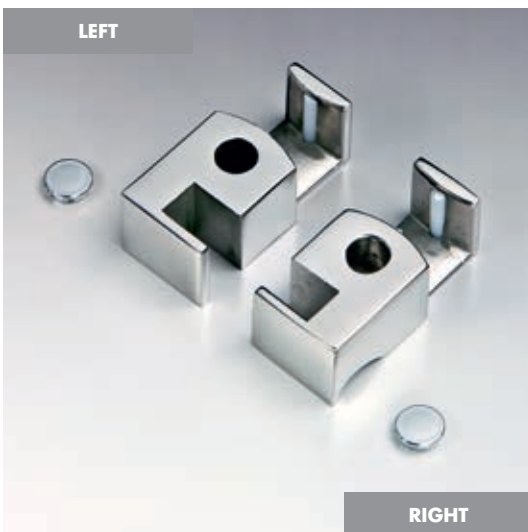


BDFIX-DX

Art.
BDFIX-DX
BDFIX-SX

Description
Wall side right guide
Wall side left guide

Q.ty
1 Pc
1 Pc



LEFT

RIGHT

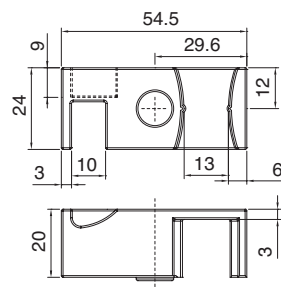
RIGHT OR LEFT BDFIX2 GUIDE

Material: AISI 304 steel

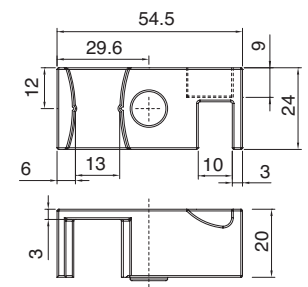
Features: guide for sliding shower partition with right or left seat for fixed glass to be fixed on the shower tray or directly to the floor on the fixed glass side. With seat for the insertion of BDFIX8 / BDFIX10 polished aluminum profile.

Supplied with chrome finished plastic hole covering cap

Finish: polished steel, satin-finished steel (polished chromed caps)



BDFIX2-SX



BDFIX2-DX

Art.
BDFIX2-DX
BDFIX2-SX

Description
Fixed glass side right guide
Fixed glass side left guide

Q.ty
1 Pc
1 Pc



RIGHT OR LEFT BDFIX5 GUIDE

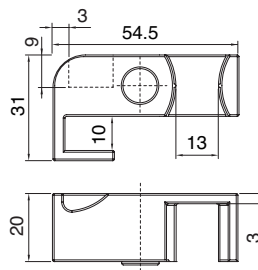
Material: AISI 304 steel

Features: guide for sliding shower partition with right or left seat for lateral fixed glass to be fixed on the shower tray or directly to the floor on the lateral fixed glass side. With seat for the insertion of BDFIX8 / BDFIX10 polished aluminum profile.

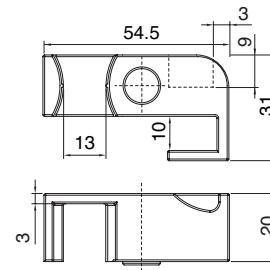
To be used in case of glass/wall shower partition.

Supplied with chrome finished plastic hole covering cap

Finish: polished steel,
satin-finished steel
(polished chromed caps)



BDFIX5-DX



BDFIX5-SX

Art.	Description	Q.ty
BDFIX5-DX	Lateral fixed glass side right guide	1 Pc
BDFIX5-SX	Lateral fixed glass side left guide	1 Pc



RIGHT OR LEFT BDFIX7 GUIDE

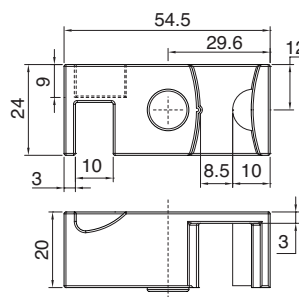
Material: AISI 304 steel

Features: guide for sliding shower partition with right or left seat for fixed glass to be fixed on the shower tray or directly to the floor on the fixed glass side. With seat for the insertion of BDFIX8 / BDFIX10 polished aluminum profile.

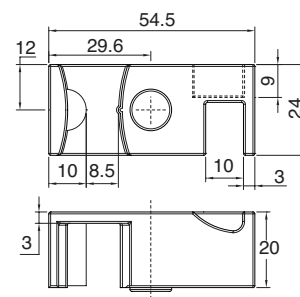
To be used in case of sliding system without drip seal.

Supplied with chrome finished plastic hole covering cap

Finish: polished steel, satin-finished steel (polished chromed caps)



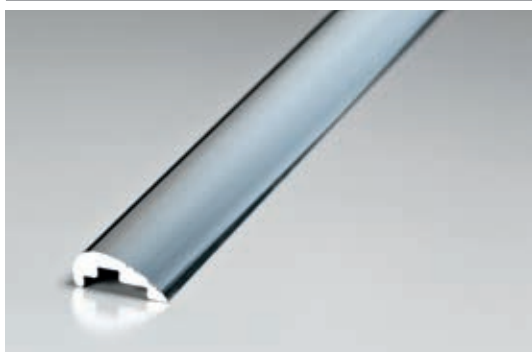
BDFIX7-SX



BDFIX7-DX



Art.	Description	Q.ty
BDFIX7-DX	Fixed glass side right guide	1 Pc
BDFIX7-SX	Fixed glass side left guide	1 Pc

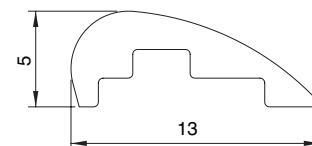


BDFIX PROFILE

Material: aluminium

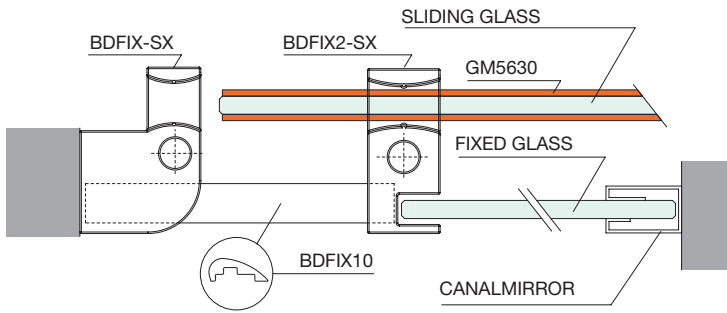
Features: 1000 / 2000 mm long profile to be fixed to the floor with silicone or waterproof bi-adhesive.

Finish: polished aluminium

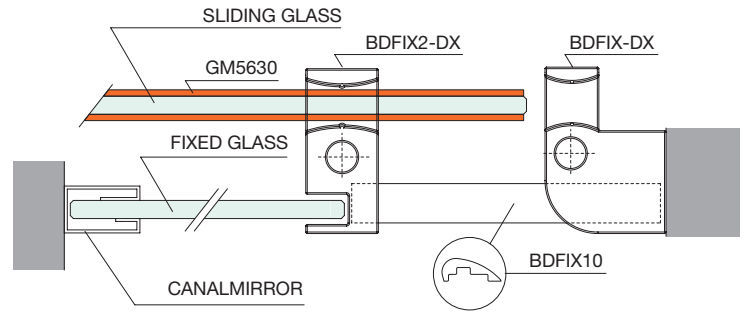


Art.	Description	Q.ty
BDFIX8	Profile BDFIX - L 2000 mm	1 Pc
BDFIX10	Profile BDFIX - L 1000 mm	1 Pc

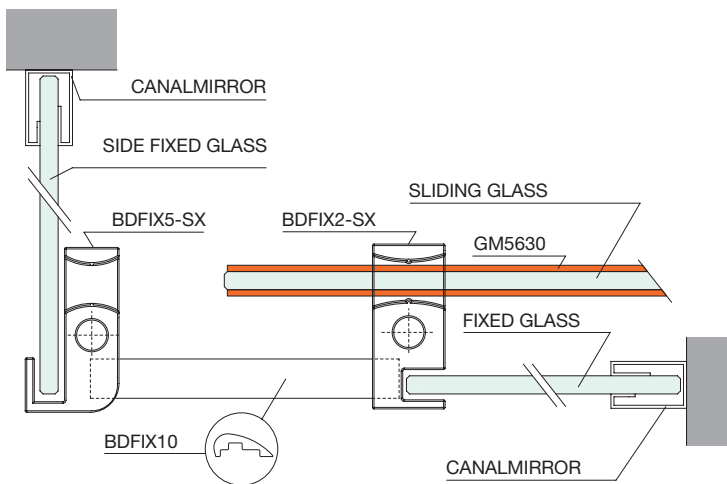
WALL-WALL SLIDING TO LEFT



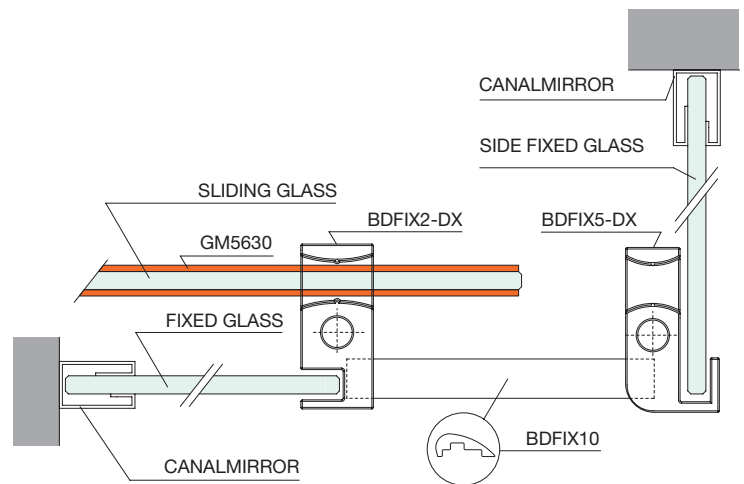
WALL-WALL SLIDING TO RIGHT



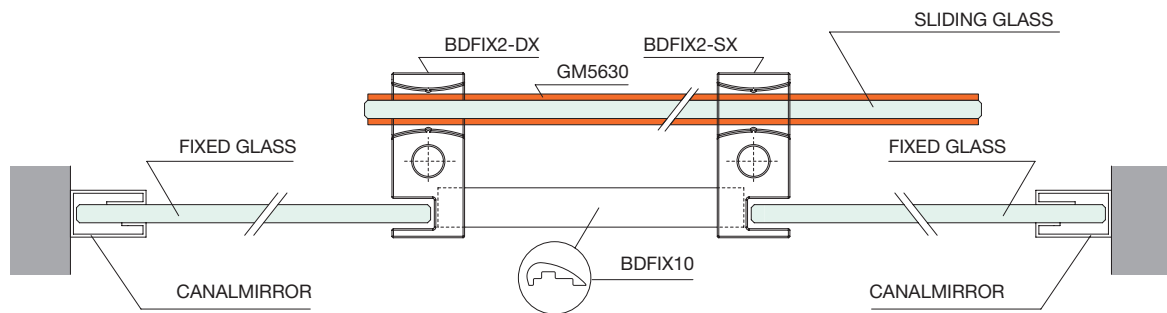
WALL-GLASS SLIDING TO LEFT



WALL-GLASS SLIDING TO RIGHT



WALL-WALL WITH 2 FIXED SIDES AND CENTRAL SLIDING



SYSTEMS FOR BALUSTRADES
 SYSTEMS FOR OUTDOORS
 SYSTEMS FOR GLASS PARTITIONS
 STEEL SYSTEMS FOR SLIDING DOORS
 ALUMINIUM SYSTEMS FOR SLIDING DOORS
 SYSTEMS FOR HINGED DOORS
 PULL HANDLES AND INNOBS
 SYSTEMS FOR SHOWER PARTITIONS



SYSTEMS FOR
BRILLIANT
RAILS

SYSTEMS FOR
OUTDOORS

SYSTEMS FOR
GLASS PARTITIONS

STEEL
SYSTEMS FOR
SLIDING DOORS

ALUMINIUM
SYSTEMS FOR
SLIDING DOORS

SYSTEMS FOR
HINGED DOORS

PULL HANDLES
AND KNOBS

SYSTEMS FOR
SHOWER PARTITIONS

ART. GLMFLAT029DX / GLMFLAT029SX

Model with wall/wall rollers Glass 8 mm



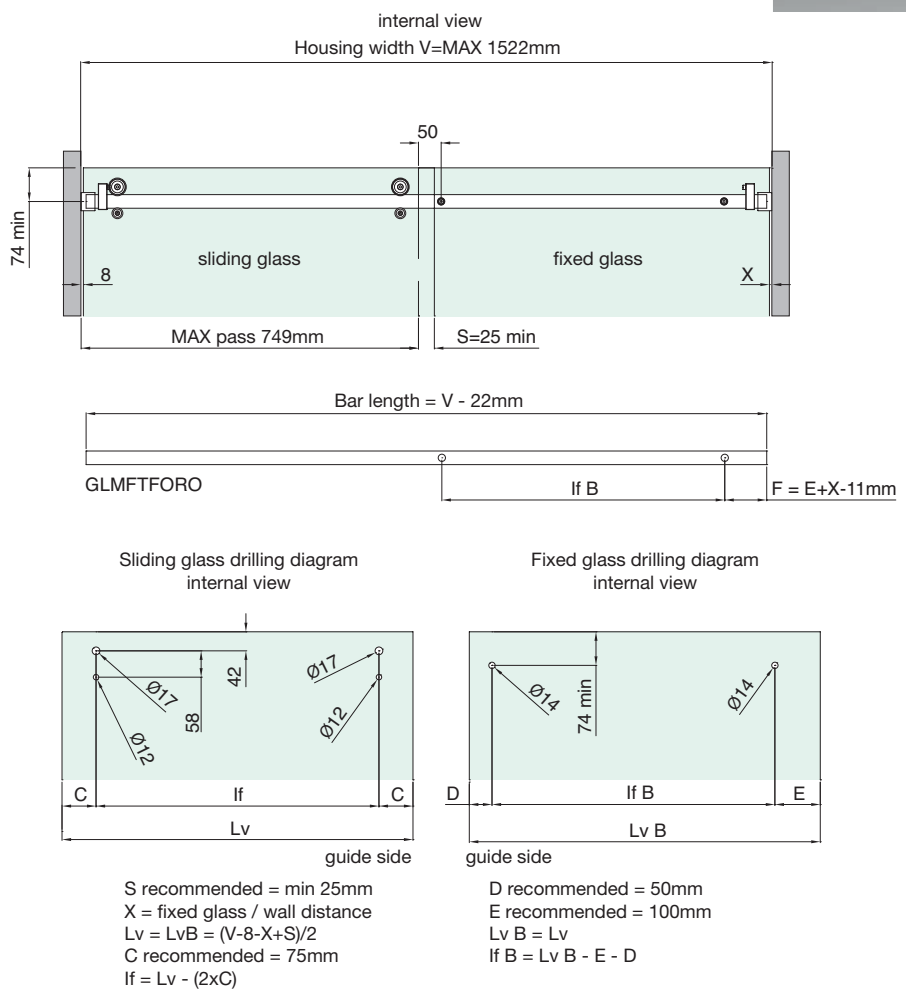
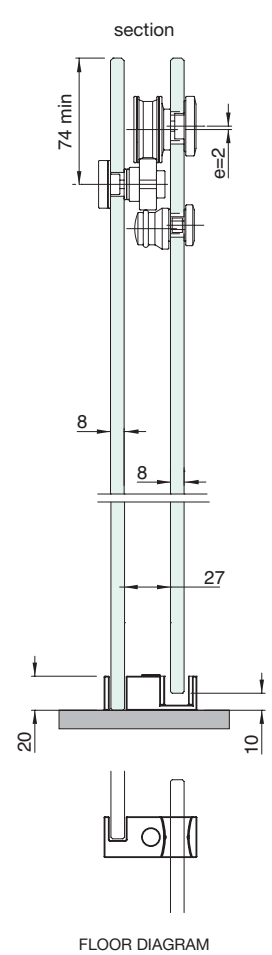
Diagram **GLMFLAT029DX**

max PASS 749 mm
HANDLE AND WALL DUCT FOR FIXED GLASS PANE NOT INCLUDED

LIST OF ACCESSORIES FOR GLMFLAT029DX



EXTERNAL VIEW
RIGHT SIDE SLIDING DOOR

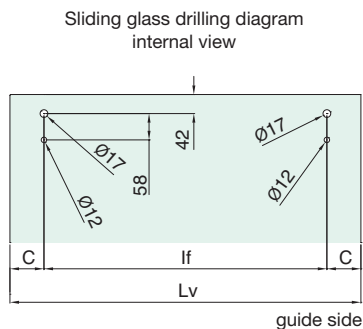
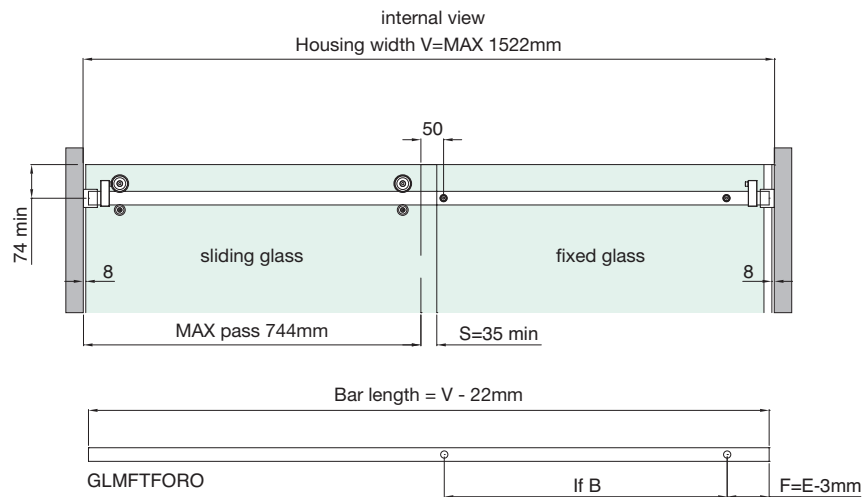
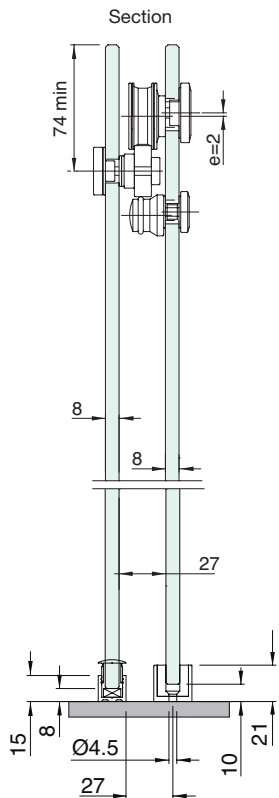


ART. GLMFLAT031

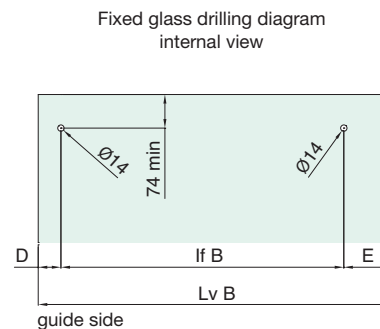
Model with wall/wall rollers Glass 8 mm



MAX PASS 744 mm
HANDLE NOT INCLUDED



S recommended = min 35mm
Lv = LvB = (V-16+S)/2
C recommended = 75mm
If = Lv - (2xC)



D recommended = 50mm
E recommended = 100mm
Lv B = Lv
If B = Lv B - E - D



ART. GLMFLAT033DX / GLMFLAT033SX

Model with wall/glass rollers Glass 8 mm



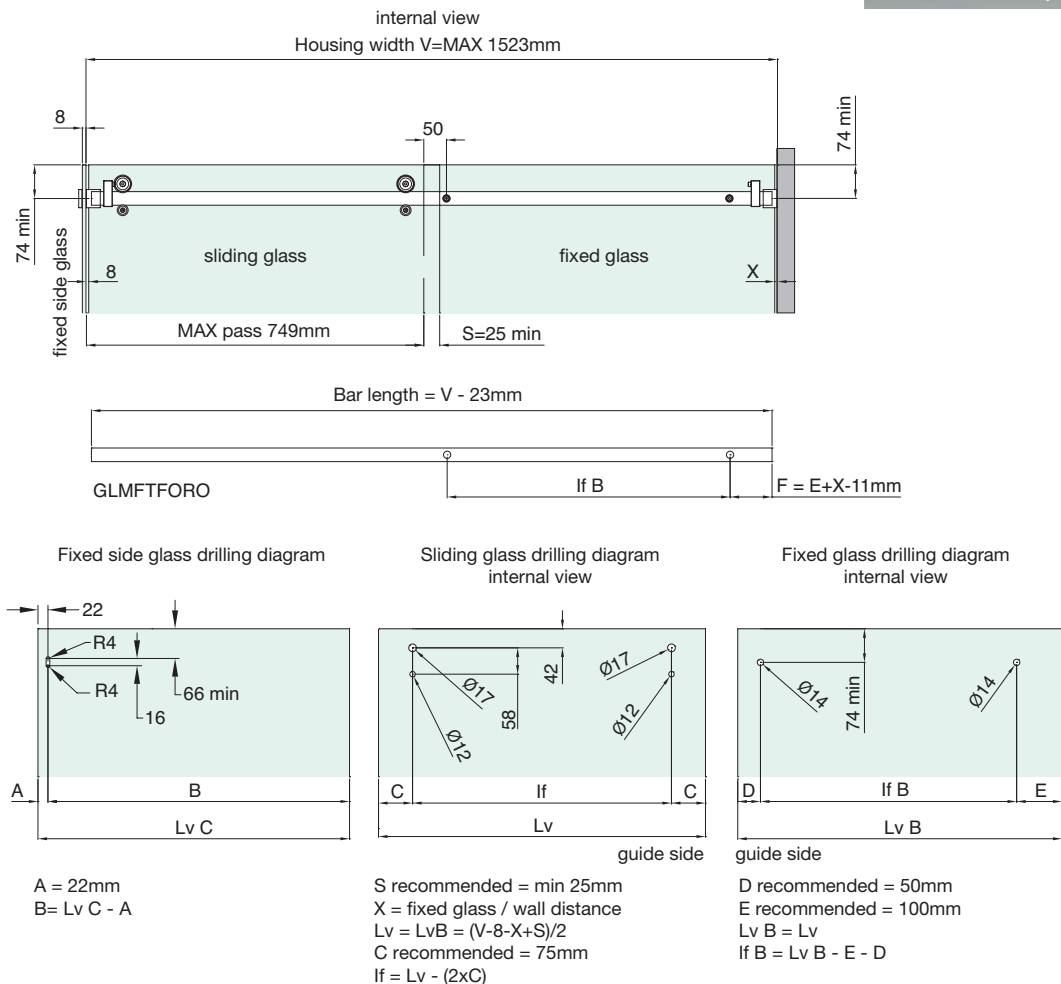
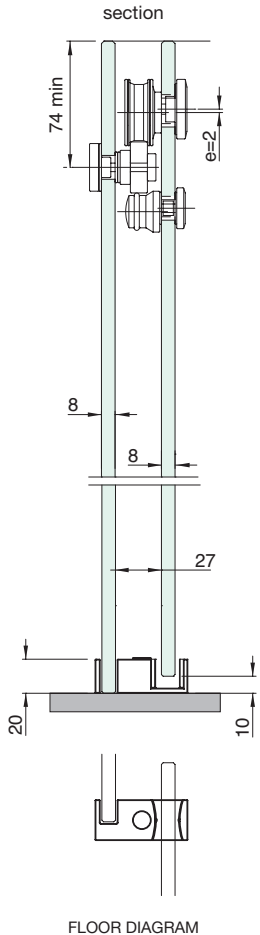
Diagram **GLMFLAT033DX**

max PASS 749 mm
HANDLE AND WALL DUCT FOR FIXED GLASS PANE NOT INCLUDED

LIST OF ACCESSORIES FOR GLMFLAT033DX



EXTERNAL VIEW
RIGHT SIDE SLIDING DOOR

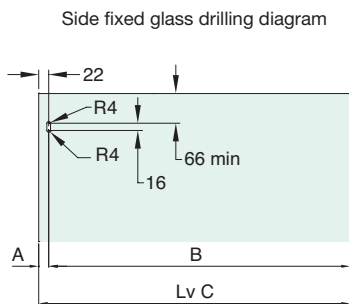
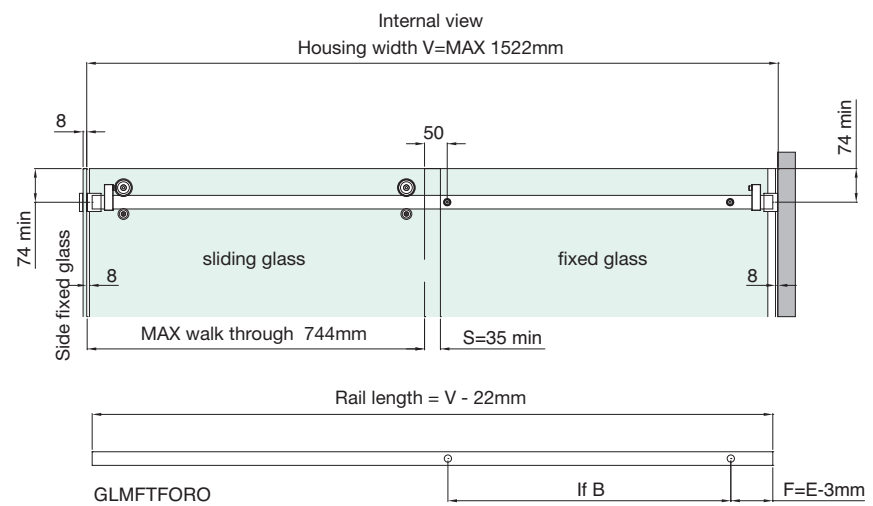
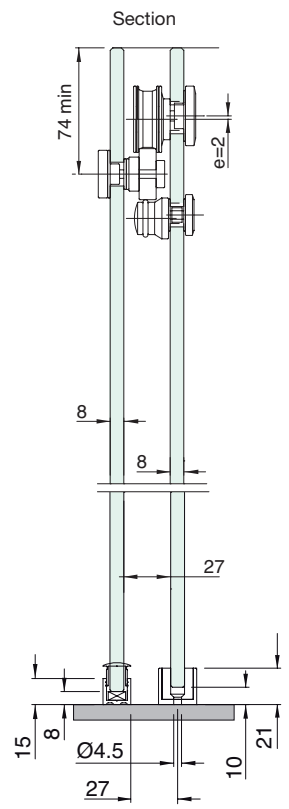
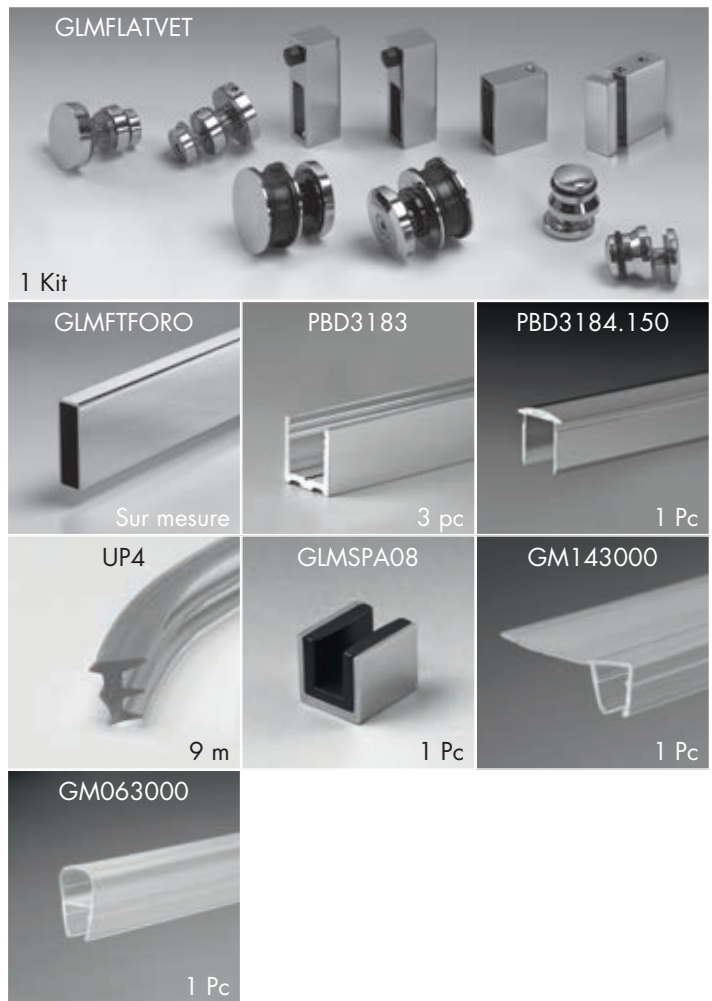


ART. GLMFLAT035

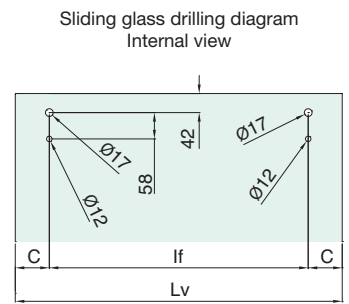
Wall/glass roller system. Glass 8 mm



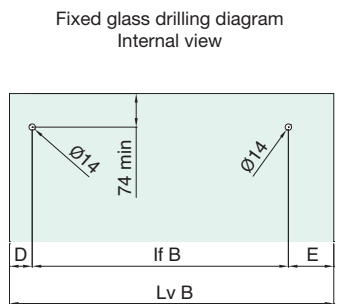
MAX WALK THROUGH max 744 mm
HANDLE NOT INCLUDED



A = 22mm
B = Lv C - A



S suggested = min 35mm
Lv = LvB = (V-16+S)/2
C suggested = 75mm
If = Lv - (2xC)



D suggested = 50mm
E suggested = 100mm
Lv B = Lv
If B = Lv B - E - D



SYSTEMS FOR
BRUSHRADES

SYSTEMS FOR
OUTDOORS

SYSTEMS FOR
GLASS PARTITIONS

STEEL
SYSTEMS FOR
SLIDING DOORS

ALUMINIUM
SYSTEMS FOR
SLIDING DOORS

SYSTEMS FOR
HINGED DOORS

PULL HANDLES
AND KNOBS

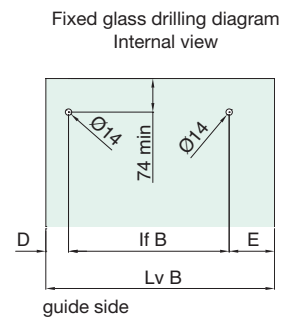
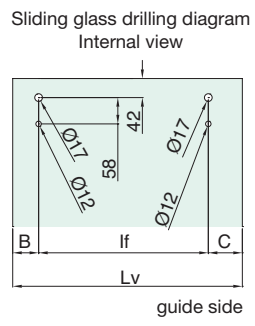
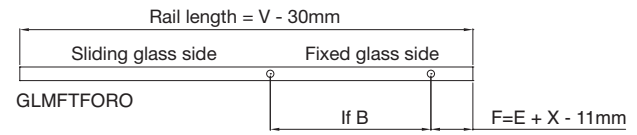
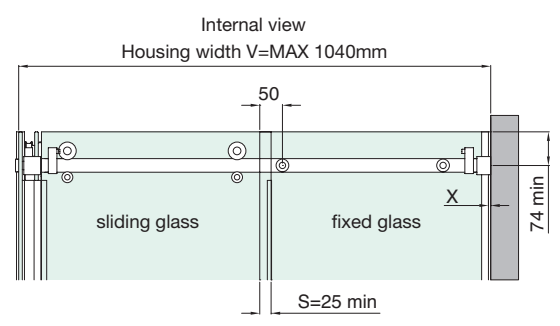
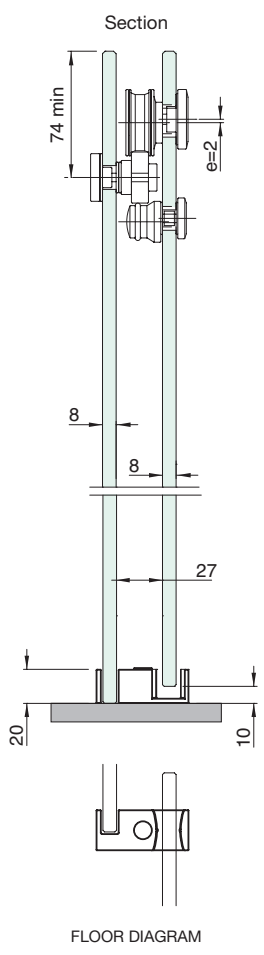
SYSTEMS FOR
SHOWER PARTITIONS

ART. GLMFLAT037

Corner roller model with aligned glasses. Glass 8 mm



MAX WALK THROUGH 685 MM
HANDLE AND WALL PPROFILE FOR FIXED GLASS NOT INCLUDED



S suggested = min 25mm
X = fixed glass / wall distance
Lv = LvB = (V-55-X+S)/2
B suggested = 55mm
C suggested = 75mm
If = Lv - B - C

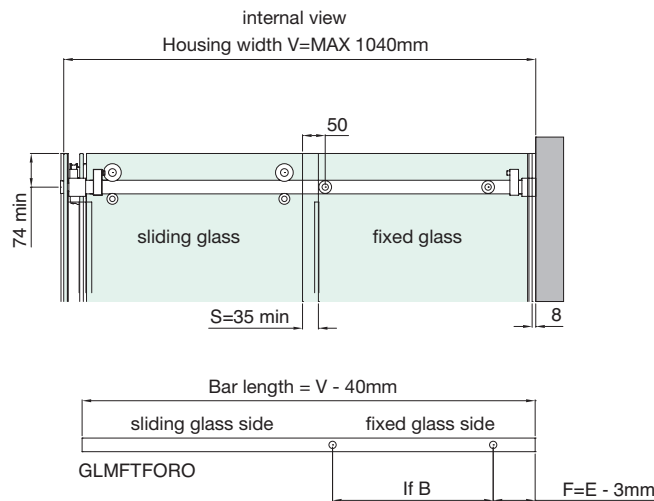
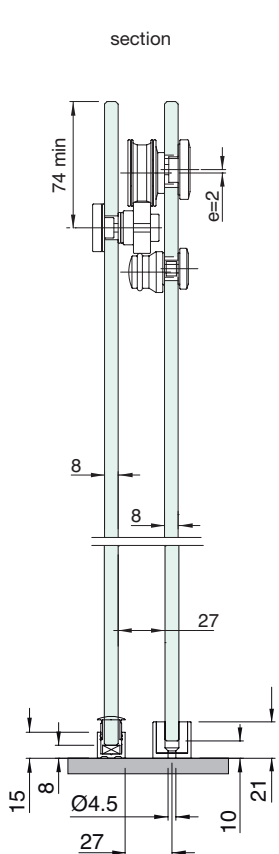
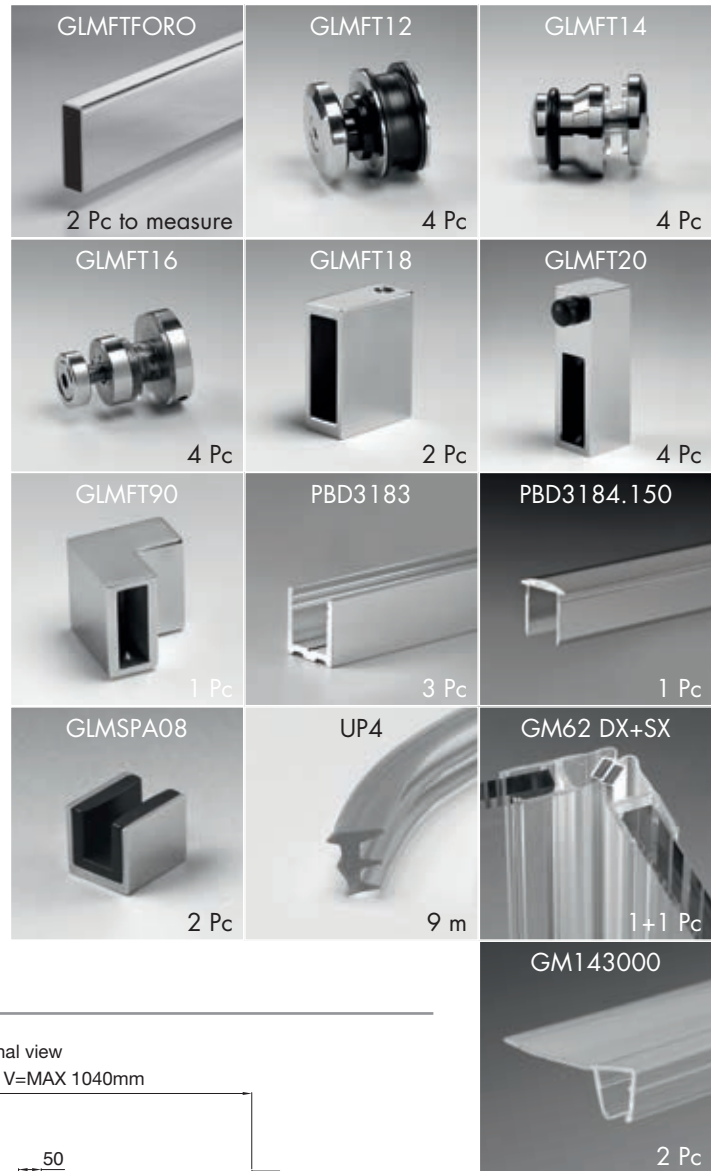
D suggested = 50mm
E suggested = 100mm
Lv B = Lv
If B = Lv B - E - D

ART. GLMFLAT039

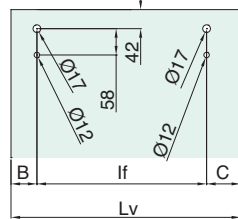
Corner roller model with aligned glass. Glass 8 mm



max PASS 693 mm
HANDLE NOT INCLUDED



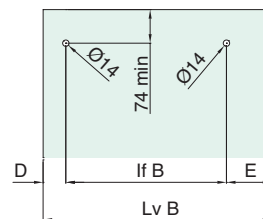
Sliding glass drilling diagram
internal view



guide side

S recommended = min 35mm
Lv = LvB = (V-58+S)/2
B recommended = 55mm
C recommended = 75mm
If = Lv - B - C

Fixed glass drilling diagram
internal view



guide side

D recommended = 50mm
E recommended = 100mm
Lv B = Lv
If B = Lv B - E - D

SYSTEMS FOR
BALUSTRADES

SYSTEMS FOR
OUTDOORS

SYSTEMS FOR
GLASS PARTITIONS

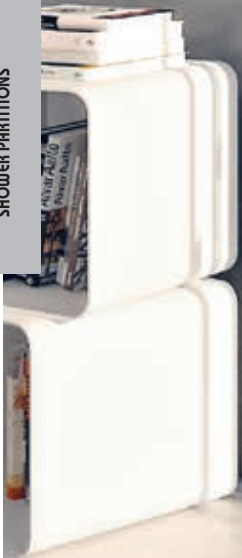
STEEL
SYSTEMS FOR
SLIDING DOORS

ALUMINIUM
SYSTEMS FOR
SLIDING DOORS

SYSTEMS FOR
HINGED DOORS

PULL HANDLES
AND KNOBS

SYSTEMS FOR
SHOWER PARTITIONS

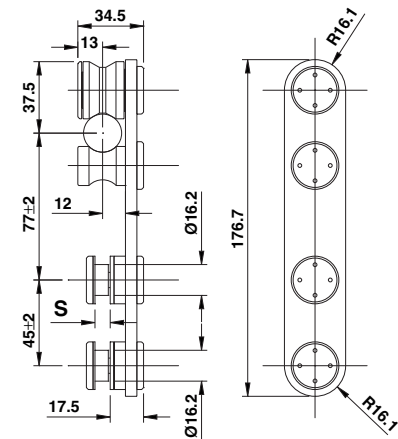


PAIR OF 3000 CARRIAGES

Material: AISI 304 stainless steel

Features: pair of carriages for door movement on a round section track with bracket and visible bosses with trapezoidal groove roller for Ø20. **Specify the thickness of the panes.**

Finish: CNC steel, polished steel Glass hole recommended Ø18 mm.



Art.
GLM3000

Glass thickness
S = 6/10 mm.

Glass hole
Ø18 mm

Q.ty
1 Pair



7000 ROLLER CARRIAGES

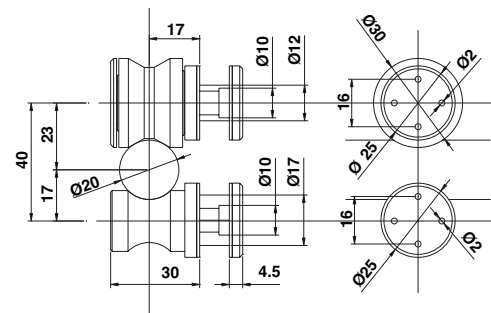
Material: AISI 304 stainless steel

Features: roller carriages for moving the door on a round section track of which 2 rollers with Ø30 mm trapezoidal groove and 2 anti-slip rollers with radial groove R10 mm.

Finish: CNC steel, polished steel

Glass Ø12 mm holes recommended for upper rollers

Glass Ø17 mm holes recommended for lower rollers



Art.
GLM7000

Glass thickness
6/12 mm

Q.ty
1 Set

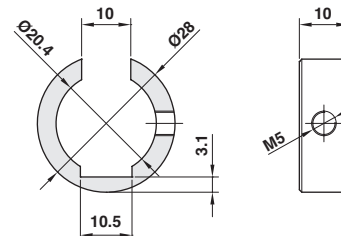


END STOP

Material: AISI 304 stainless steel

Features: steel washer to be applied as a both right and left Ø28 mm end stop.

Finish: CNC steel, polished steel



Art.
GLM3020

Q.ty
1 Pc

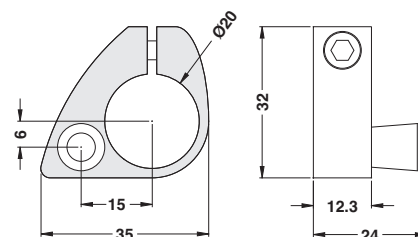


OVAL END STOP

Material: AISI 304 stainless steel

Features: end stop to be applied to the Ø20 mm round track equipped with 1 black rubber bushing to cushion the impact with the carriages.

Finish: CNC steel, polished steel



Art.
GLM3023

Q.ty
1 Pc



ROLLER WITH TRAPEZOIDAL GROOVE

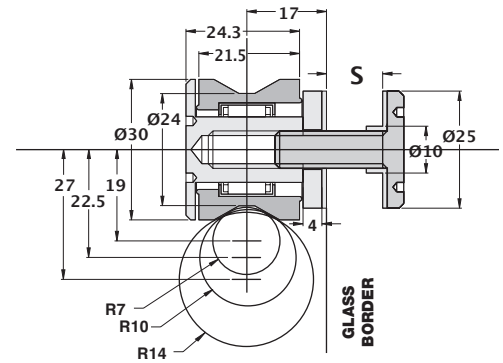
Material: AISI 304 stainless steel

Features: roller with trapezoidal groove, for round and/or half-round section tracks with variable radius from R=7 mm to R=14 mm and Ø25 mm external circular boss.

Suitable for panes of variable thickness from 6 to 12 mm.

Finish: CNC steel, polished steel

Glass hole recommended Ø12 mm.



Art.	Dimensions	For glass	Glass hole	Q.ty
GLMRCT	Boss Ø25 mm	6/12 mm	Ø12 mm	1 Pc



ROLLER WITH TRAPEZOIDAL GROOVE FOR COUNTERSUNK HOLES

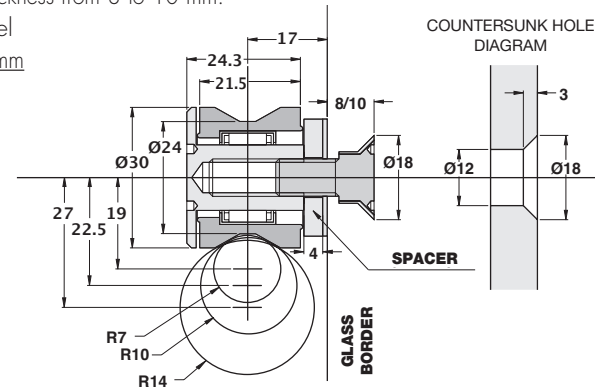
Material: AISI 304 stainless steel

Features: roller with trapezoidal groove for round and/or half-round section tracks with variable radius from R=7 mm to R=14 mm and Ø18 mm external boss with 3 mm countersink.

Suitable for panes of variable thickness from 8 to 10 mm.

Finish: CNC steel, polished steel

Glass hole recommended Ø12 mm with 3 mm countersink.



Art.	Dimensions	For Glass	Glass hole	Q.ty
GLMRSV	Boss Ø18 mm countersink 3 mm	8/10 mm	Ø12 mm countersink 3 mm	1 Pc



ANTI-SLIPPAGE ROLLER

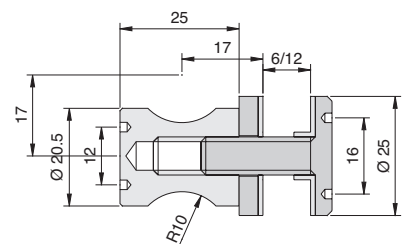
Material: AISI 304 stainless steel

Features: anti-slippage roller with groove R=10 mm for round and/or half-round section tracks and external Ø25 mm circular boss.

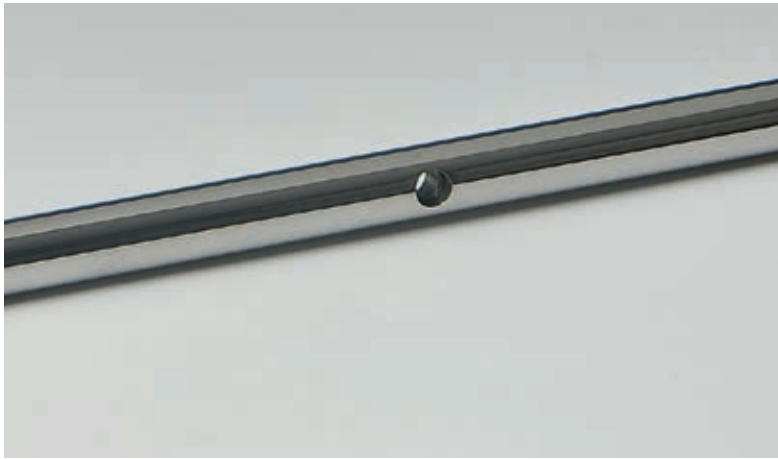
Suitable for panes of variable thickness from 6 to 12 mm.

Finish: CNC steel, polished steel

Glass hole recommended Ø17 mm.



Art.	Dimensions	For glass	Glass hole	Q.ty
GLMAN	Boss Ø25 mm	6/12 mm	Ø17 mm	1 Pc



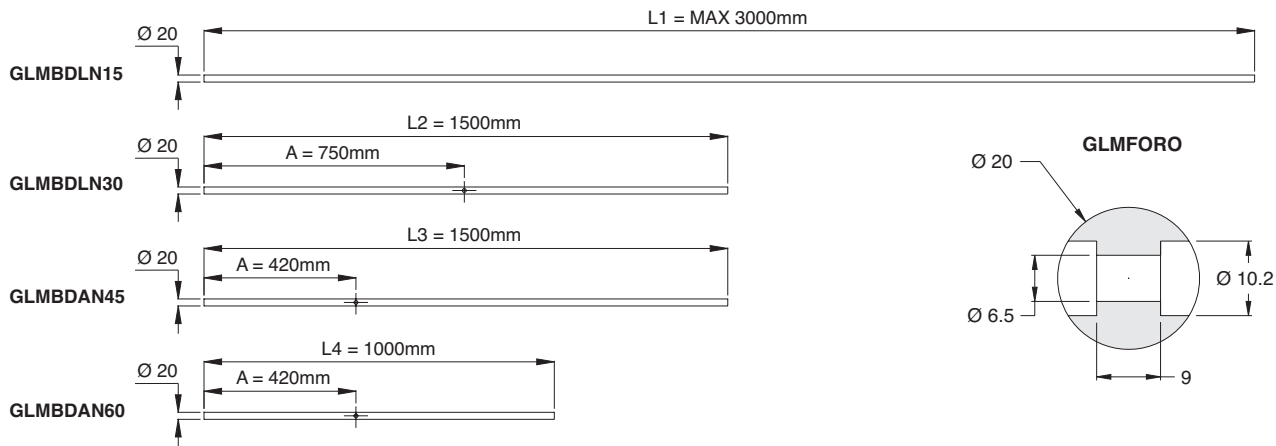
ROUND TRACK

Material: AISI 304 stainless steel

Features: round track diameter 20 mm.

On request and quote one can make made to measure cuts and holes.

Finish: satin-finished steel, polished steel



Art.	Bar length	No. of Holes	Centre-to-centre	Q.ty
GLMBDLN15	L1 = MAX 3000 mm	-	-	every 500 mm
GLMBDLN30	L2 = 1500 mm	1	A 750 mm	1 Pc
GLMBDAN45	L3 = 1500 mm	1	A 420 mm	1 Pc
GLMBDAN60	L4 = 1000 mm	1	A 420 mm	1 Pc
GLMFORO	Additional hole			1 Pc



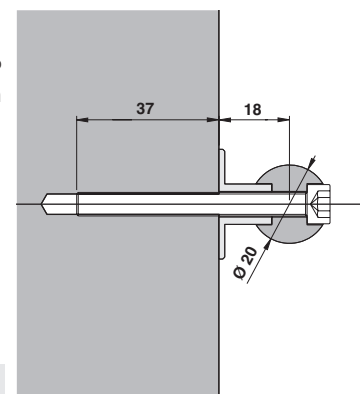
WALL CONNECTION

Material: AISI 304 stainless steel - Features: connection for fixing the track to the wall with boss and Ø28 mm neck, 13.5 mm long and an M6x60 mm cheese-head screw with hexagon socket for key Ch5.

Finish: CNC steel, polished steel

The quantity is determined according to the amount of holes in the track

Art.	Q.ty
GLMBRM	1 Pc

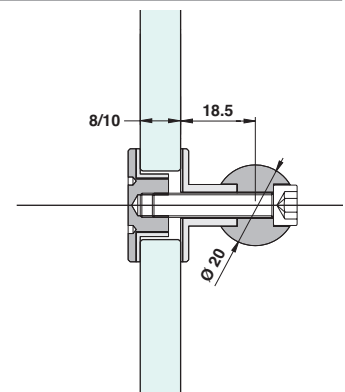


GLASS CONNECTION

Material: AISI 304 stainless steel - Features: connection for fixing the track to the glass with boss and Ø28 mm neck, 13.5 mm long and an M6x30 mm cheese-head screw with hexagon socket for key Ch5, for glass thickness 8/10 mm. In the event of different thicknesses one must assess the right length of the screw. - Glass hole recommended Ø17 mm. Finish: CNC steel, polished steel

The quantity is determined according to the amount of holes in the track

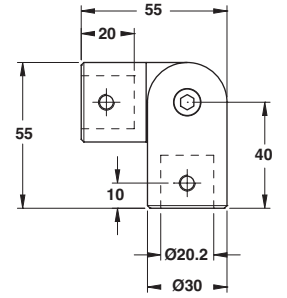
Art.	Glass hole	Q.ty
GLMBRV	Ø17 mm	1 Pc





90° ADJUSTABLE FITTING

Material: AISI 304 steel
Features: joint for Ø20 mm pipes.
Finish: CNC steel, polished steel

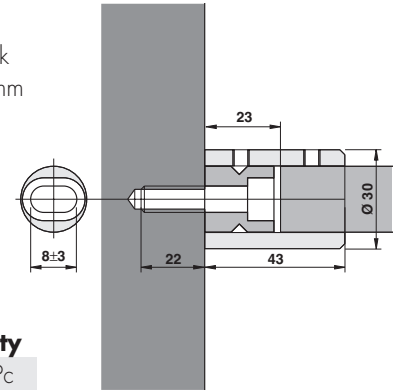


Art.	Dimensions	For pipe	Q.ty
MFCC15	Ø30 mm x H 55 mm x 55 mm	Ø20 mm	1 Pc



SIDE WALL CONNECTION

Material: AISI 304 stainless steel - Features: connection for fixing the track to the wall laterally with slotted bushing for adjustments and an M8x35 mm cheese-head screw with hexagon socket for key Ch6.
Finish: CNC steel, polished steel

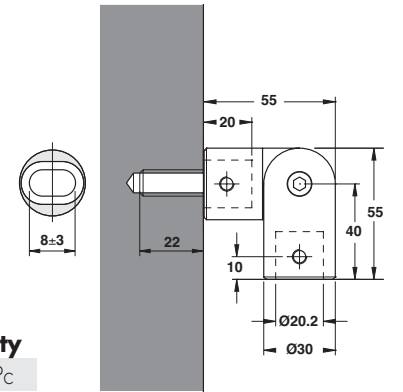


Art.	Q.ty
GLMDSTP	1 Pc



ARTICULATED WALL CONNECTION

Material: AISI 304 steel
Features: joint for Ø20 mm pipes.
Finish: CNC steel, polished steel

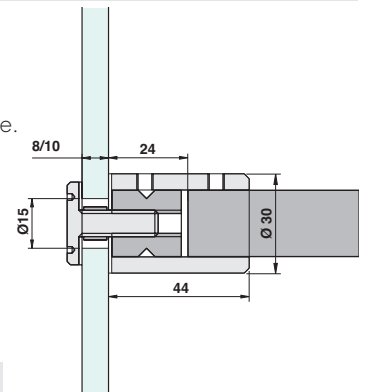


Art.	Q.ty
GLMSNP	1 Pc



SIDE GLASS CONNECTION

Material: AISI 304 stainless steel - Features: connection for fixing the track to the glass laterally with M8 feed-through threaded bushing and steel screw with Ø25 mm head and 4 x Ø2 mm dead holes with 16 mm centre-to-centre. Glass hole recommended Ø15 mm. Variable glass thickness 8/15 mm.
Finish: CNC steel, polished steel

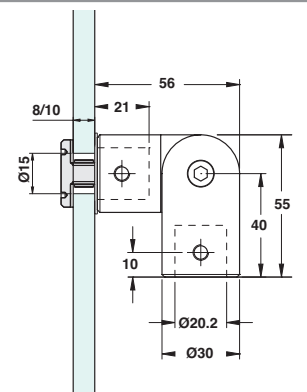


Art.	Q.ty
GLMDSTV	1 Pc

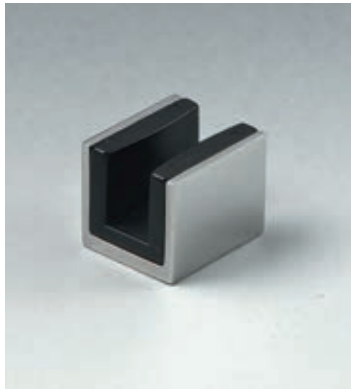


ARTICULATED GLASS CONNECTION

Material: AISI 304 steel
Features: joint for Ø20 mm pipes.
Finish: CNC steel, polished steel



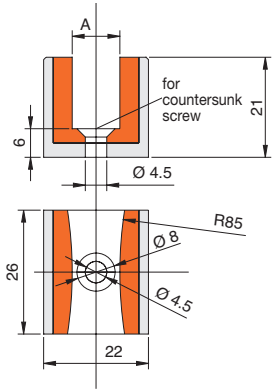
Art.	Q.ty
GLMSNV	1 Pc



FLOOR GUIDE WITH STEEL HOUSING

Material: AISI 304 stainless steel

Features: special black PVC floor guide for glass thickness 6/8/10 mm and AISI 304 stainless steel housing to be floor mounted with a countersunk screw.
Finish: satin-finished steel, polished steel



Art.	For glass	Q.ty
GLMSPA06	H 6 mm	1 Pc
GLMSPA08	H 8 mm	1 Pc
GLMSPA10	H 10 mm	1 Pc

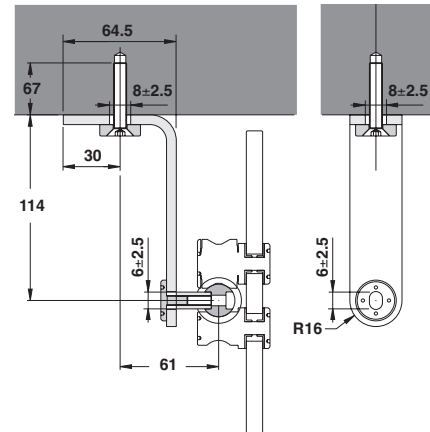


CEILING CONNECTION

Material: AISI 304 stainless steel

Features: connection for fixing and positioning the track with adjustment slots and M8x80 countersunk screw for adjusting the surface on uneven points, bracket thickness 6 mm.
Total height: 130 mm.

Finish: CNC steel, polished steel



Art.	Q.ty
GLMSST	1 Pc

The quantity is determined according to the amount of holes in the track



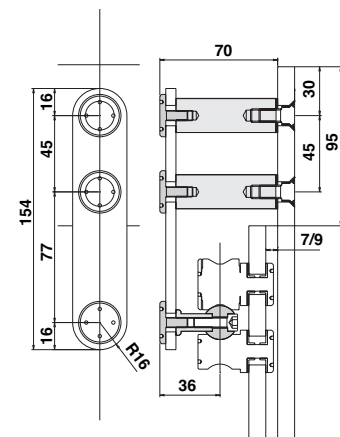
BRACKET FOR FIXED GLASS

Suitable for Art. GLM7000

Material: AISI 304 stainless steel

Features: connection for fixing and positioning the track onto lateral fixed glass. Total height: 154 mm.

Finish: CNC steel, polished steel
Glass hole recommended $\varnothing 12$ mm
3 mm deep countersink.



Art.	For glass	Glass hole	Q.ty
GLMSFR	8/10 mm	$\varnothing 12$ mm countersink 3 mm	1 Pc



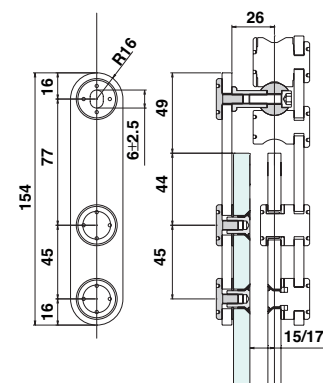
BRACKET FOR FIXED GLASS

Suitable for Art. GLM3000

Material: AISI 304 stainless steel

Features: connection for fixing and positioning the track onto lateral fixed glass. Total height: 154 mm.

Finish: CNC steel, polished steel
Glass hole recommended $\varnothing 12$ mm
3 mm deep countersink.



Art.	For glass	Glass hole	Q.ty
GLMSVF	8/10 mm	$\varnothing 12$ mm countersink 3 mm	1 Pc

SYSTEMS FOR BALUSTRADES
 SYSTEMS FOR OUTDOORS
 SYSTEMS FOR GLASS PARTITIONS
 STEEL SYSTEMS FOR SLIDING DOORS
 ALUMINIUM SYSTEMS FOR SLIDING DOORS
 SYSTEMS FOR HINGED DOORS
 PULL HANDLES AND INVOBS
 SYSTEMS FOR SHOWER PARTITIONS



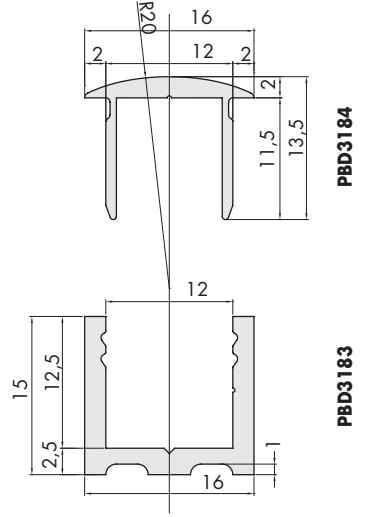
SHOWER PARTITIONS - GIUMAX - AISI 304 STAINLESS STEEL



ALLUMINIUM DAM FOR SLIDING DOORS

Material: anodised aluminium
 Features: U-section made of aluminium suitable for damp environments with hidden joints for floor sealing.
 Combinable with radial upper profile for visible parts without glass.
 Finish: polished steel, steel imitation aluminium

Minimum order 5 pcs also mixed

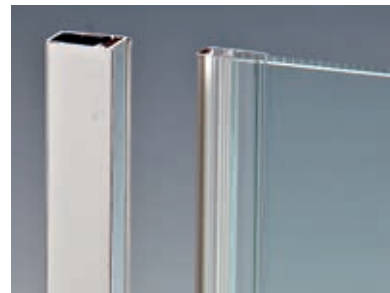


Art.	Description	Dimensions	Q.ty
PBD3183	U-section	3000 mm x 15 mm x 16 mm - inside 12 mm	1 Pc
PBD3184	Radial upper profile	3000 mm x 15 mm x 16 mm	1 Pc

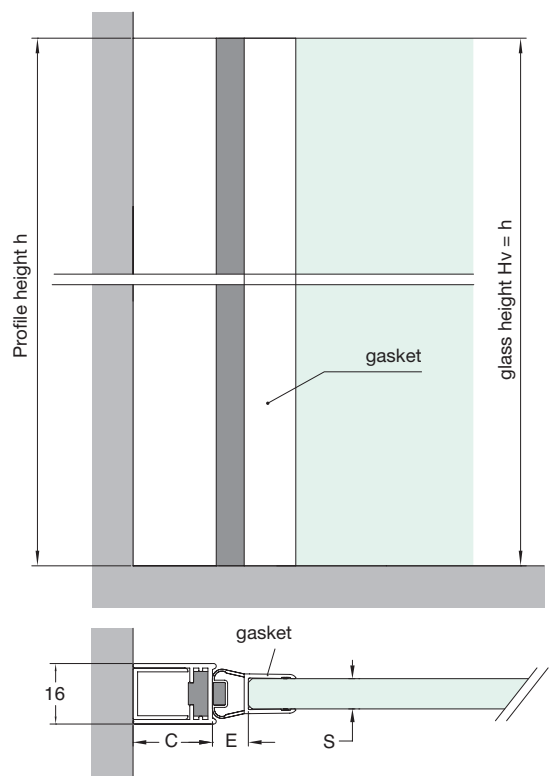


MAGNETIC STOP PROFILE

Material: anodised aluminum
 Features: kit made of two aluminum profiles: one with magnet and the other for compensation. Gasket to add as in the picture and according to the glass thickness. The kit also contains 3 screws with cover for the fixing of the two aluminum profiles.
 H 2300mm
 Finish: polished aluminum



S	Art.	E
6 mm	GM11	10 mm
6 mm	GM66	8 mm
8 mm	GM11	10 mm
8 mm	GM66	10 mm



C = min 21 mm for all closed compensation profile
 max 26 mm for all open compensation profile

Art.	For glass	Q.ty
PBCAL10	6 / 8 mm	1 Set



SYSTEMS FOR
BRILLIANT

SYSTEMS FOR
OUTDOORS

SYSTEMS FOR
GLASS PARTITIONS

STEEL
SYSTEMS FOR
SLIDING DOORS

ALUMINIUM
SYSTEMS FOR
SLIDING DOORS

SYSTEMS FOR
HINGED DOORS

PULL HANDLES
AND KNOBS

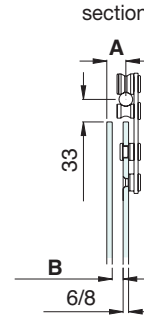
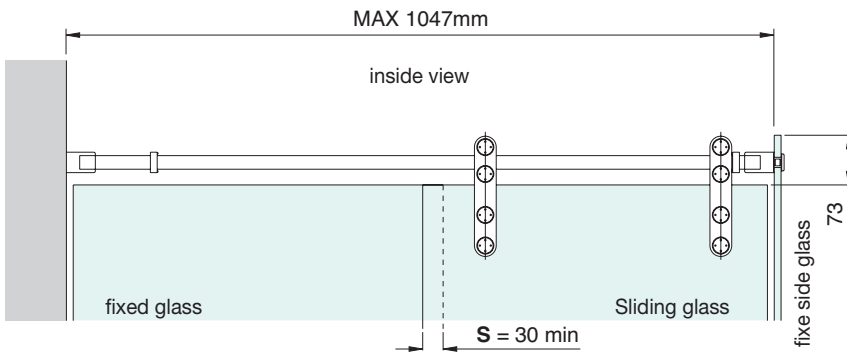
SYSTEMS FOR
SHOWER PARTITIONS

ART. BD001

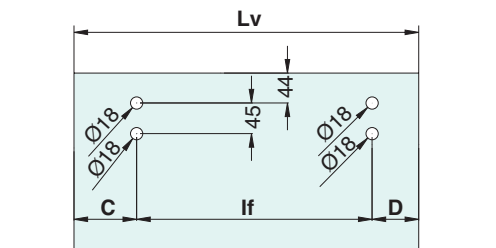
Wall/glass carriages model. Glass recommended 8 mm



<p>GLMBDLN15</p>  <p>1 m</p>	<p>GLMDSTP</p>  <p>1 Pc</p>	<p>GLMDSTV</p>  <p>1 Pc</p>
<p>GLM3023</p>  <p>2 Pc</p>	<p>GLM3000</p>  <p>1 Pr</p>	<p>GLMSPA08</p>  <p>1 Pc</p>
<p>PBD3183</p>  <p>3 Pc</p>	<p>PBD3184</p>  <p>1 Pc</p>	<p>GM073000</p>  <p>1 Pc</p>
<p>GM05</p>  <p>1 Pc</p>		

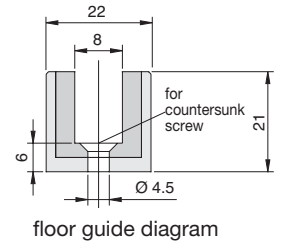
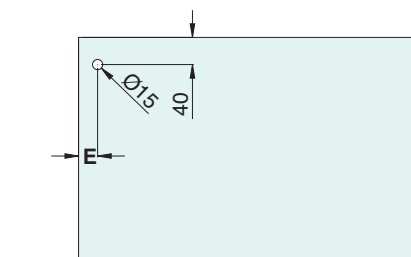


sliding door drilling diagram
inside view



Guide's side

fixed side glass drilling diagram
side view



C suggested = **D + S**
D min = 84
lf = **Lv - (C+D)**

Carriage	Fixed	Side fixed	A min (mm)	B min (mm)	E min (mm)
6	6	8	16	7	24
6	8	8	18	7	24
8	8	8	19	7	24

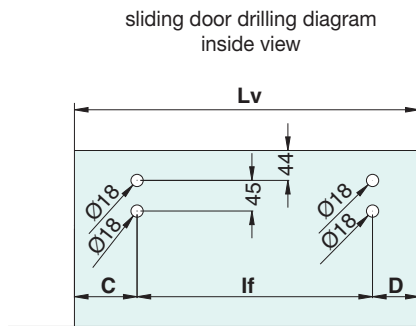
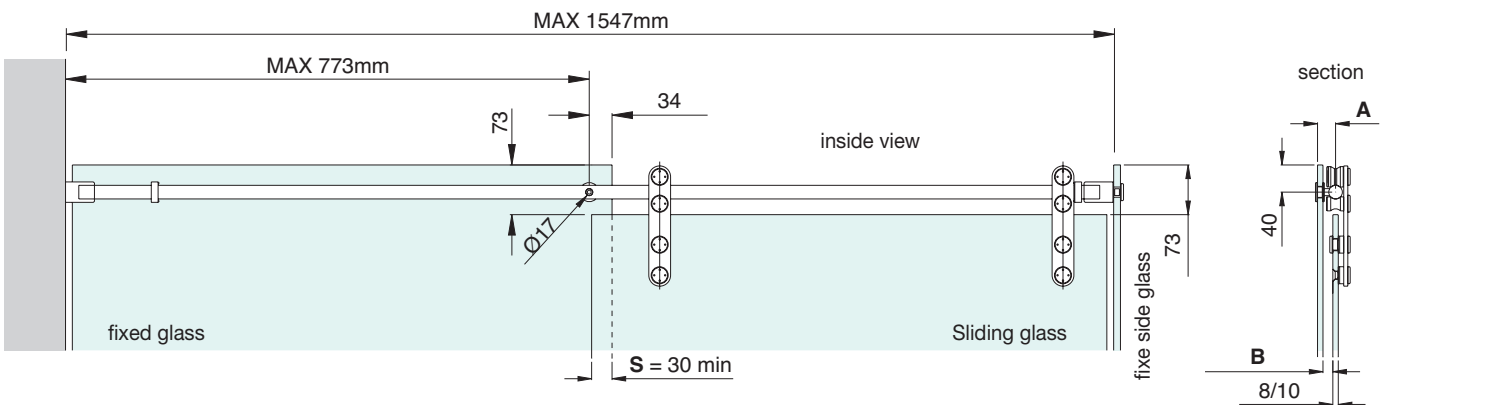
ART. BD003

Wall/glass carriage model with glass connection. Glass recommended 8 mm



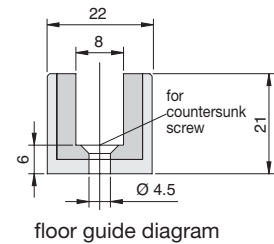
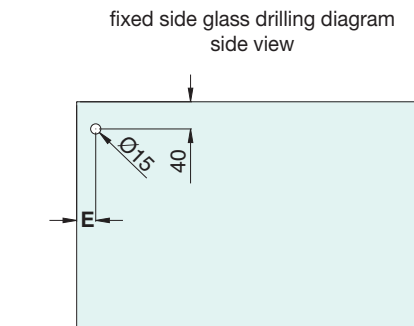
PASSAGE max 747 mm
HANDLE NOT INCLUDED

GLMBDLN30 1 Pc	GLMDSTP 1 Pc	GLMDSTV 1 Pc
GLM3023 2 Pc	GLM3000 1 Pr	GLMSPA08 1 Pc
PBD3183 3 Pc	PBD3184 1 Pc	GM073000 1 Pc
GM05 1 Pc	GLMBRV 1 Pz	



Guide's side

C suggested = **D** + **S**
D min = 84
If = **Lv** - (**C**+**D**)



Carriage	Fixed	Side fixed	A min (mm)	B min (mm)	E min (mm)
8	8	8	26	14	26
8	10	10	28	13	28
10	10	10	28	13	28

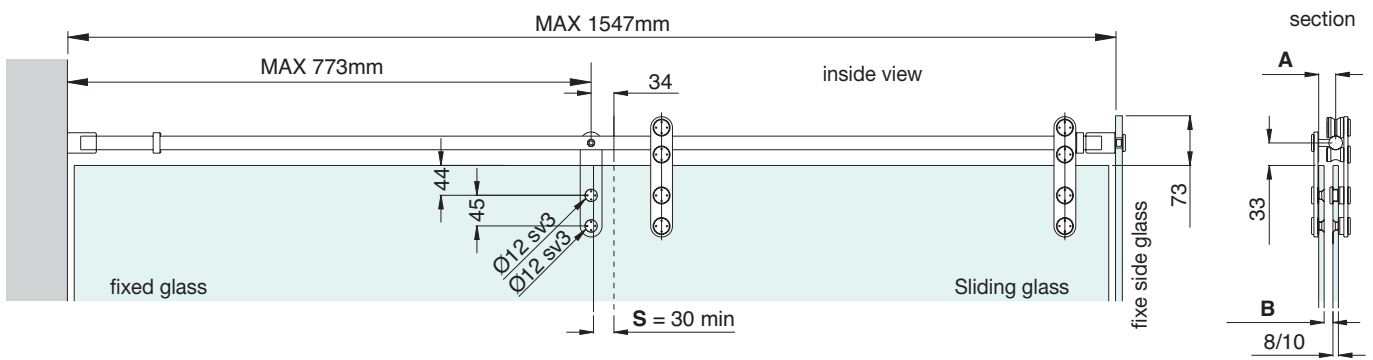
ART. BD005

Wall/glass carriage model with brackets for fixed glass. Glass recommended 8 mm

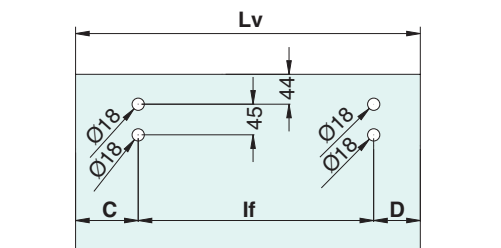


PASSAGE max 737 mm
HANDLE NOT INCLUDED

GIMBDLN30 1 Pc	GLMDSTP 1 Pc	GLMDSTV 1 Pc
GLM3023 2 Pc	GLM3000 1 Pr	GLMSPA08 1 Pc
PBD3183 3 Pc	PBD3184 1 Pc	GM073000 1 Pc
GM05 1 Pc	GLMSVF 1 Pz	

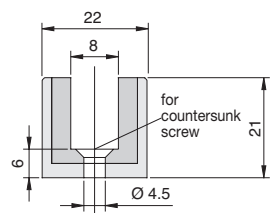
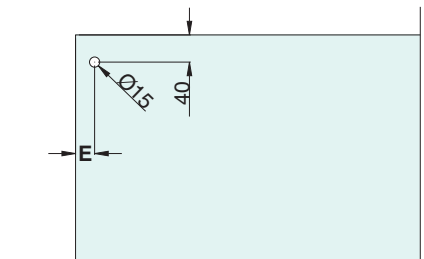


sliding door drilling diagram
inside view



Guide's side

fixed side glass drilling diagram
side view



floor guide diagram

C suggested = **D** + **S**
D min = 84
If = **Lv** - (**C**+**D**)

Carriage	Fixed	Side fixed	A min (mm)	B min (mm)	E min (mm)
8	8	8	25	13	25
8	10	10	25	11	28
10	10	10	25	10	28

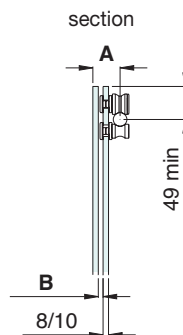
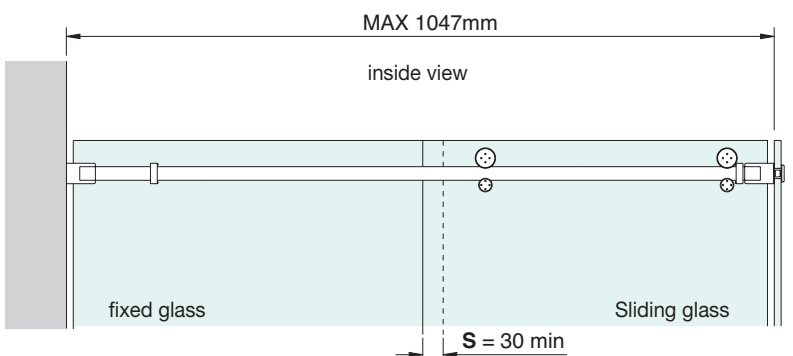
ART. BD007

Wall/glass rollers model. Glass recommended 8 mm

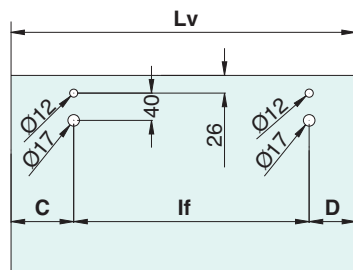


PASSAGE max 487 mm
HANDLE NOT INCLUDED

GLMBDLN15  1 m	GLMDSTP  1 Pc	GLMDSTV  1 Pc
GLM3020  2 Pc	GLM7000  1 Set	GLMSPA08  1 Pc
PBD3183  3 Pc	PBD3184  1 Pc	GM073000  1 Pc
GM05  1 Pc		

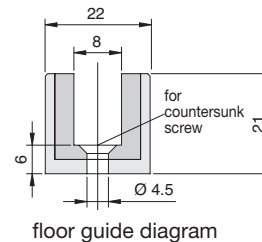
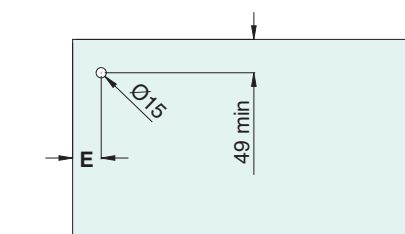


sliding door drilling diagram
inside view



Guide's side

fixed side glass drilling diagram
side view



floor guide diagram

C suggested = D + S
D min = 70
If = Lv - (C+D)

Carriage	Fixed	Side fixed	A min (mm)	B min (mm)	E min (mm)
8	8	8	40	7	40
8	10	10	42	7	42

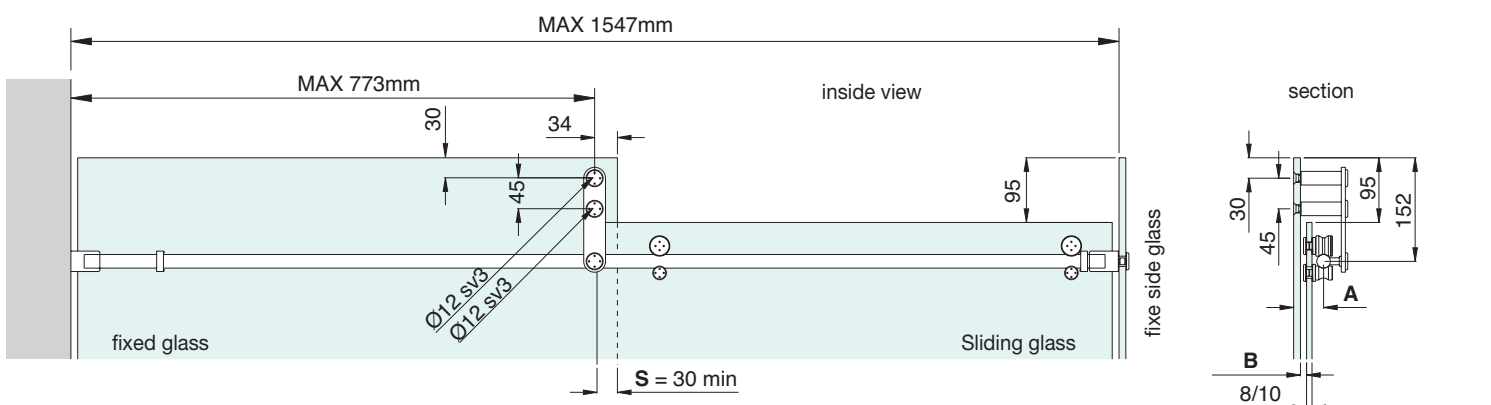
ART. BD009

Wall/glass roller model with brackets for fixed glass. Glass recommended 8 mm

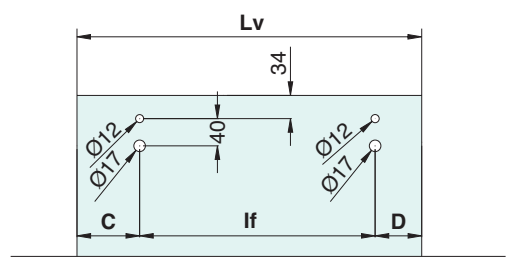


PASSAGE max 737 mm
HANDLE NOT INCLUDED

<p>GIMBDLN30 1 Pc</p>	<p>GLMDSTP 1 Pc</p>	<p>GLMDSTV 1 Pc</p>
<p>GLM3020 2 Pc</p>	<p>GLM7000 1 Set</p>	<p>GLMSPA08 1 Pc</p>
<p>PBD3183 3 Pc</p>	<p>PBD3184 1 Pc</p>	<p>GM073000 1 Pc</p>
<p>GM05 1 Pc</p>	<p>GLMSFR 1 Pc</p>	

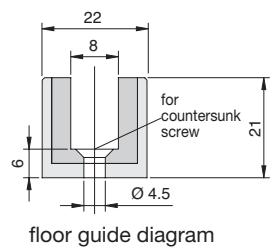
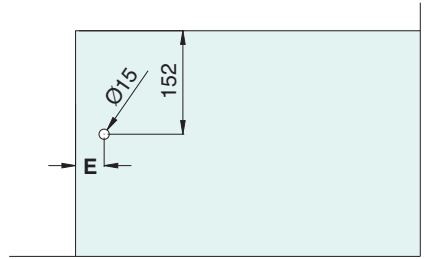


sliding door drilling diagram inside view



Guide's side
C suggested = D + S
D min = 70
If = Lv - (C+D)

fixed side glass drilling diagram side view



Carriage	Fixed	Side fixed	A min (mm)	B min (mm)	E min (mm)
8	8	8	42	9	42
8	10	10	44	9	44
10	10	10	44	7	44

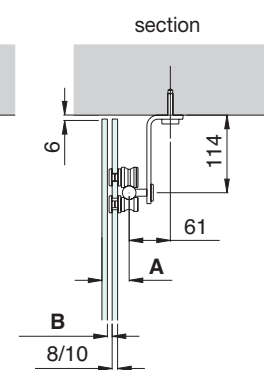
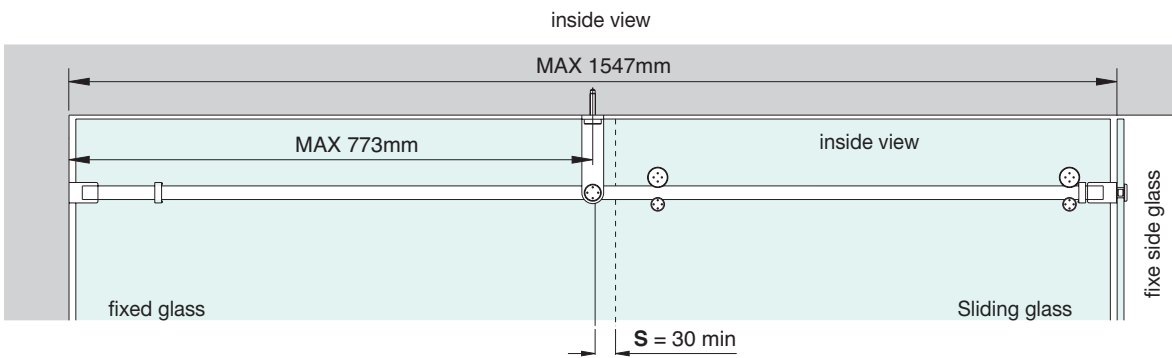
ART. BD011

Wall/glass roller model with ceiling connection. Glass recommended 8 mm

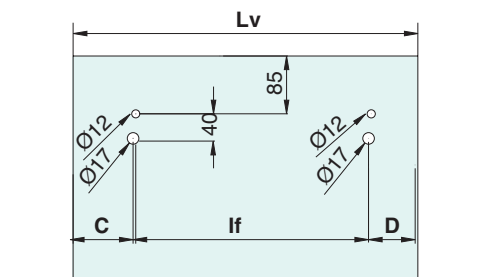


PASSAGE max 737 mm
HANDLE NOT INCLUDED

GLMBDLN30  1 Pc	GLMDSTP  1 Pc	GLMDSTV  1 Pc
GLM3020  2 Pc	GLM7000  1 Set	GLMSPA08  1 Pc
PBD3183  3 Pc	PBD3184  1 Pc	GM073000  1 Pc
GM05  1 Pc	GLMSST  1 Pc	

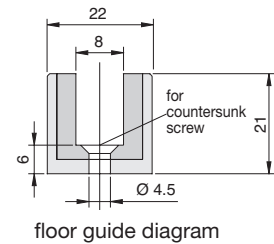
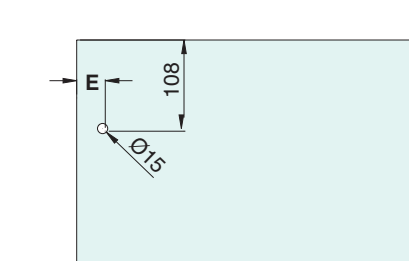


sliding door drilling diagram
inside view



Guide's side

fixed side glass drilling diagram
side view



floor guide diagram

SLIDING DOOR HEIGHT = OPENING WIDTH - 10 mm

C suggested = D + S

D min = 70

If = Lv - (C+D)

Carriage	Fixed	Side fixed	A min (mm)	B min (mm)	E min (mm)
8	8	8	40	7	40
8	10	10	42	7	42
10	10	10	44	7	44

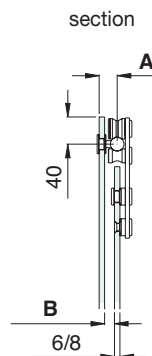
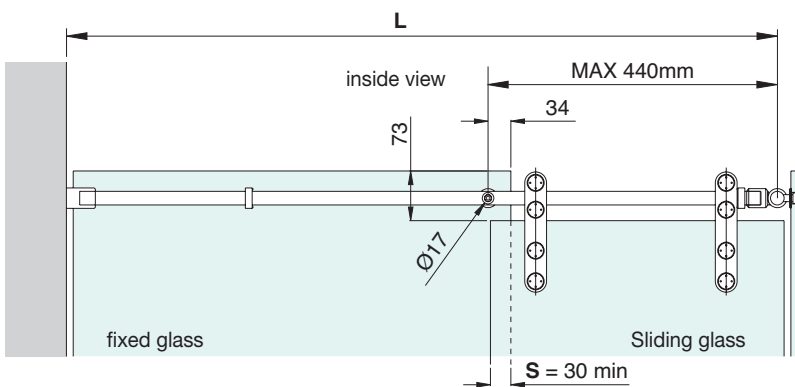
ART. BD013

Corner carriage model with staggered panes. Glass recommended 6-8 mm



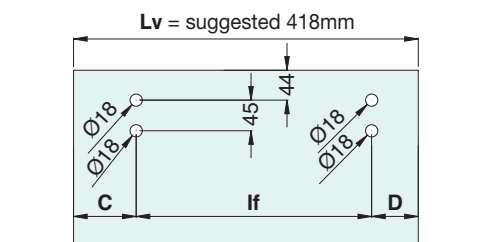
HANDLES NOT INCLUDED
PASSAGE max 550 mm

GLMBDAN60 2 Pc	GLMDSTP 2 Pc	GLMBRV 2 Pc
GLM3023 4 Pc	GLM3000 2 Cp	GLMSPA08 2 Pc
PBD3183 3 Pc	PBD3184 1 Pc	GM073000 2 Pc
GM012 L 2500 mm right left 2 Pc	MFCC15 1 Pc	



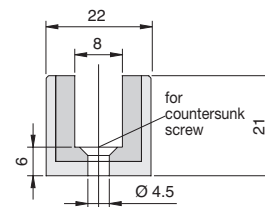
$L = \text{max } 1043 \text{ mm}$
 (If GLMBDAN45 is used
 L becomes 1543 mm)

sliding door drilling diagram
inside view



Guide's side

C suggested = **D** + 30
D min = 106
If = **Lv** - (**C**+**D**)



floor guide diagram

Carriage	Fixed	A (mm)	B (mm)
6	8	26	15
8	8	26	14

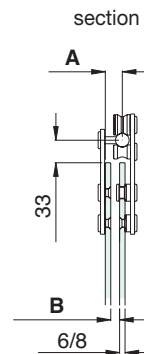
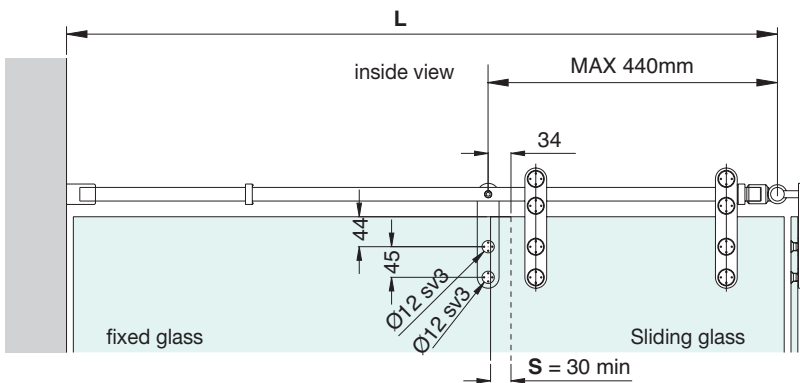
ART. BD015

Corner carriage model with aligned panes. Glass recommended 6-8 mm



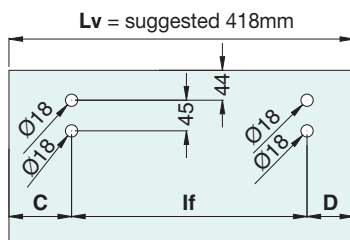
HANDLES NOT INCLUDED
PASSAGE max 550 mm

GLMBDAN60 2 Pc	GLMDSTP 2 Pc	GIMSVF 2 Pc
GLM3023 4 Pc	GLM3000 2 Cp	GIMSPA08 2 Pc
PBD3183 3 Pc	PBD3184 1 Pc	GM073000 2 Pc
GM012 L 2500 mm right left 2 Pc	MFCC15 1 Pc	



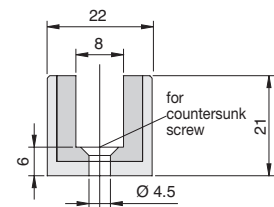
L = max 1043 mm
(If GLMBDAN45 is used
L becomes 1543 mm)

sliding door drilling diagram
inside view



Guide's side

C suggested = D + 30
D min = 106
If = Lv - (C+D)



floor guide diagram

Carriage	Fixed	A (mm)	B (mm)
6	8	25	14
8	8	25	13

SYSTEMS FOR BALUSTRADES
 SYSTEMS FOR OUTDOORS
 SYSTEMS FOR GLASS PARTITIONS
 STEEL SYSTEMS FOR SLIDING DOORS
 ALUMINIUM SYSTEMS FOR SLIDING DOORS
 SYSTEMS FOR HINGED DOORS
 PULL HANDLES AND INVOIS
 SYSTEMS FOR SHOWER PARTITIONS



SHOWER PARTITIONS - GIUMAX - AISI 304 STAINLESS STEEL

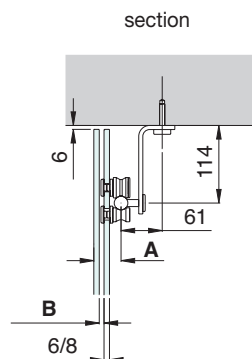
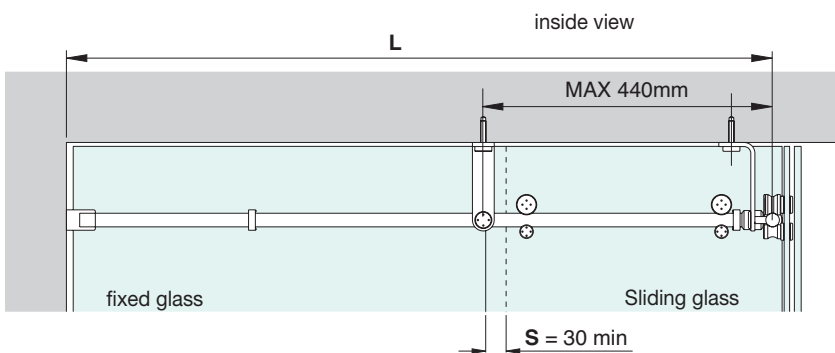
ART. BD017

Corner roller model with aligned panes. Glass recommended 6-8 mm



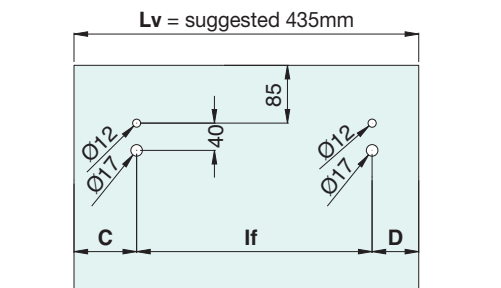
HANDLES NOT INCLUDED
PASSAGE max 578 mm

GLMBDAN60 2 Pc	GLMDSTP 2 Pc	GLMSST 2 Pc
GLM3020 4 Pc	GLM7000 2 Set	GLMSPA08 2 Pc
PBD3183 3 Pc	PBD3184 1 Pc	GM073000 2 Pc
GM012 L 2500 mm right left 2 Pc	MFCC15 1 Pc	



$L = \max 1043 \text{ mm}$
 (If GLMBDAN45 is used
 L becomes 1543 mm)

sliding door drilling diagram
inside view



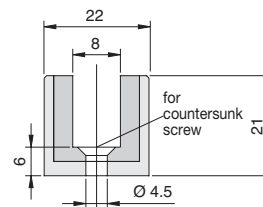
Guide's side

SLIDING DOOR HEIGHT = OPENING WIDTH - 10 mm

C suggested = D + 30

D min = 106

If = Lv - (C+D)



floor guide diagram

Carriage	Fixed	A (mm)	B (mm)
6	8	38	7
8	8	40	7

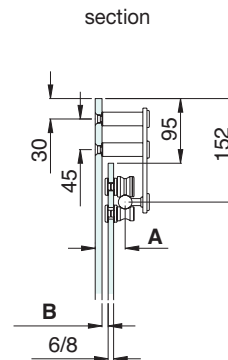
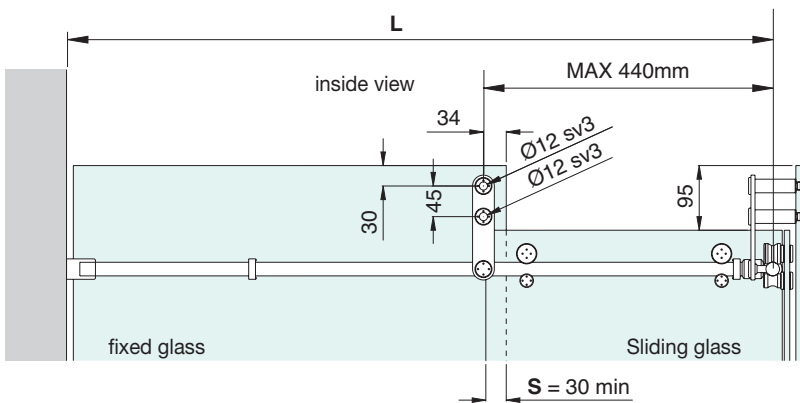
ART. BD019

Corner roller model with staggered panes. Glass recommended 6-8 mm

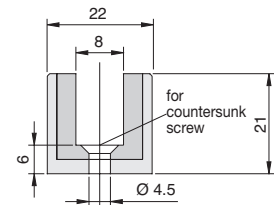
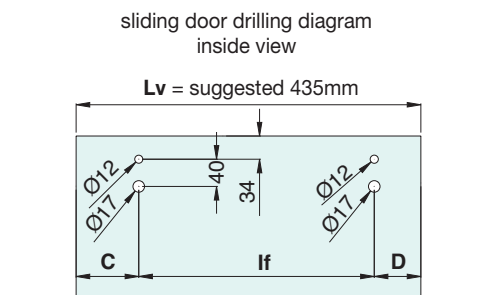


HANDLES NOT INCLUDED
PASSAGE max 578 mm

GIMBDAN60 2 Pc	GLMDSTP 2 Pc	GLMSFR 2 Pc
GLM3020 4 Pc	GLM7000 2 Set	GLMSPA08 2 Pc
PBD3183 3 Pc	PBD3184 1 Pc	GM073000 2 Pc
GM012 L 2500 mm right left 2 Pc	MFCC15 1 Pc	



L = max 1043 mm
(If GIMBDAN45 is used
L becomes 1543 mm)



floor guide diagram

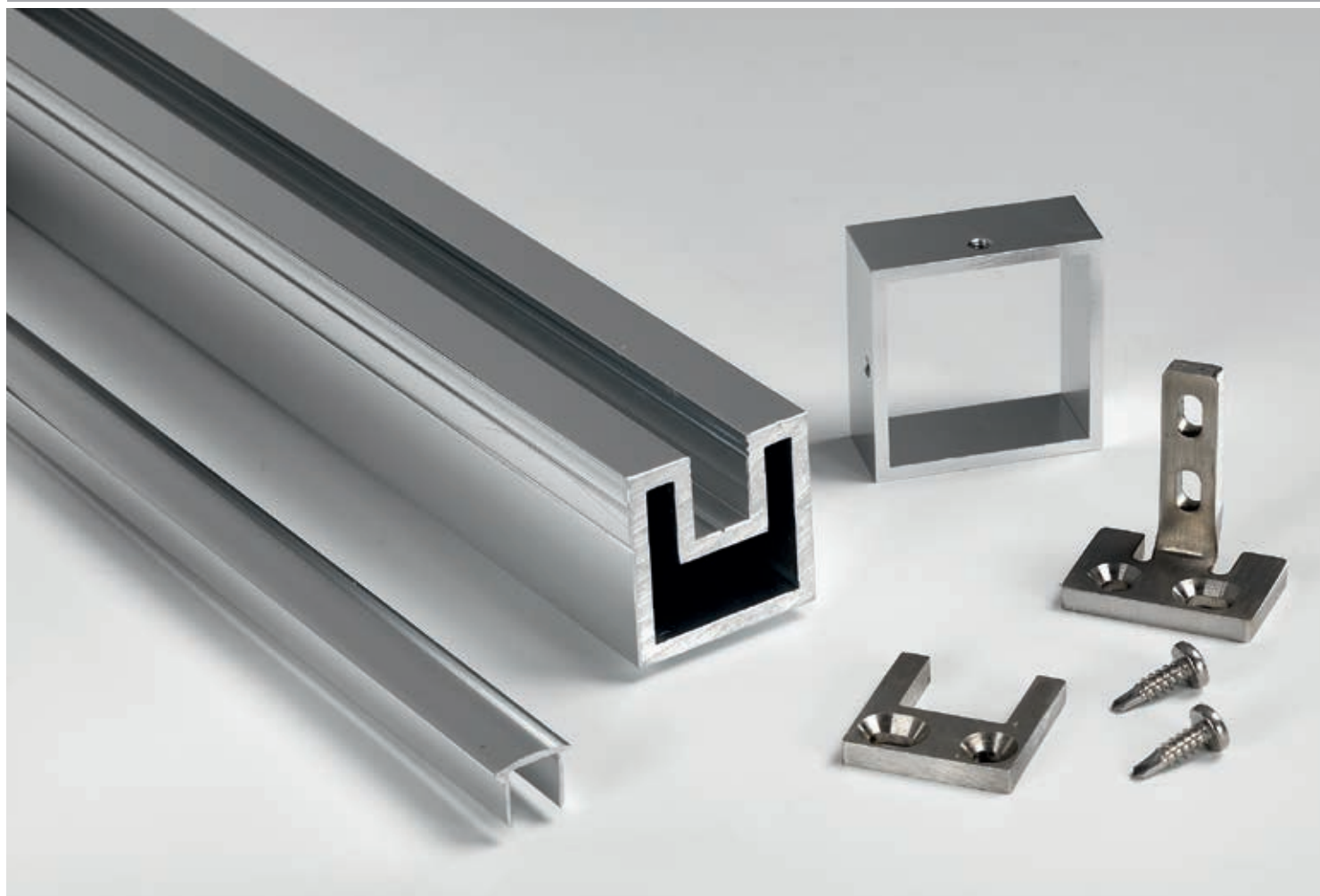
C suggested = **D** + 40
D min = 95
If = **Lv** - (**C**+**D**)

Carriage	Fixed	A (mm)	B (mm)
6	8	42	11
8	8	42	9



OXY STYLE - licence no.758
GEAL - licence no.740

NOVI3000 – CLASS 10 – Minimum anodizing thickness **10 micron**
Suitable for indoor installations



CENTRAL MOUNTING KIT

Material: aluminium and AISI 304 steel

Aluminium upright system for shower partitions made to measure all glass consisting of a profile with section 40 x 40 mm with joints for inserting glass pane.

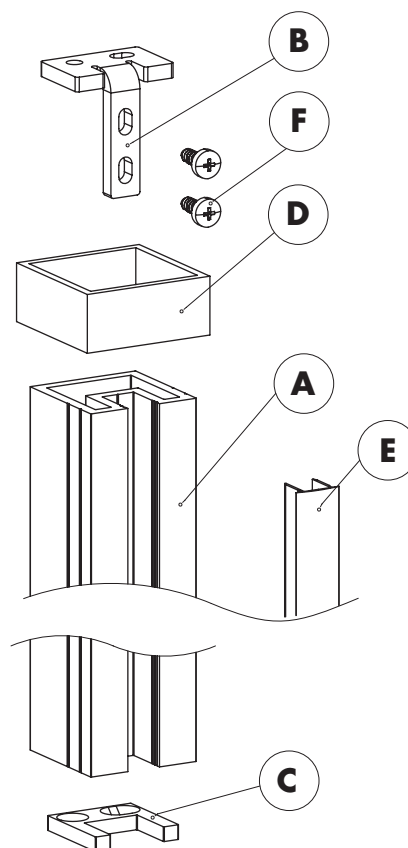
The hinge is anchored with self-perforating screws.

Suitable for 8mm to 10mm thick glass.

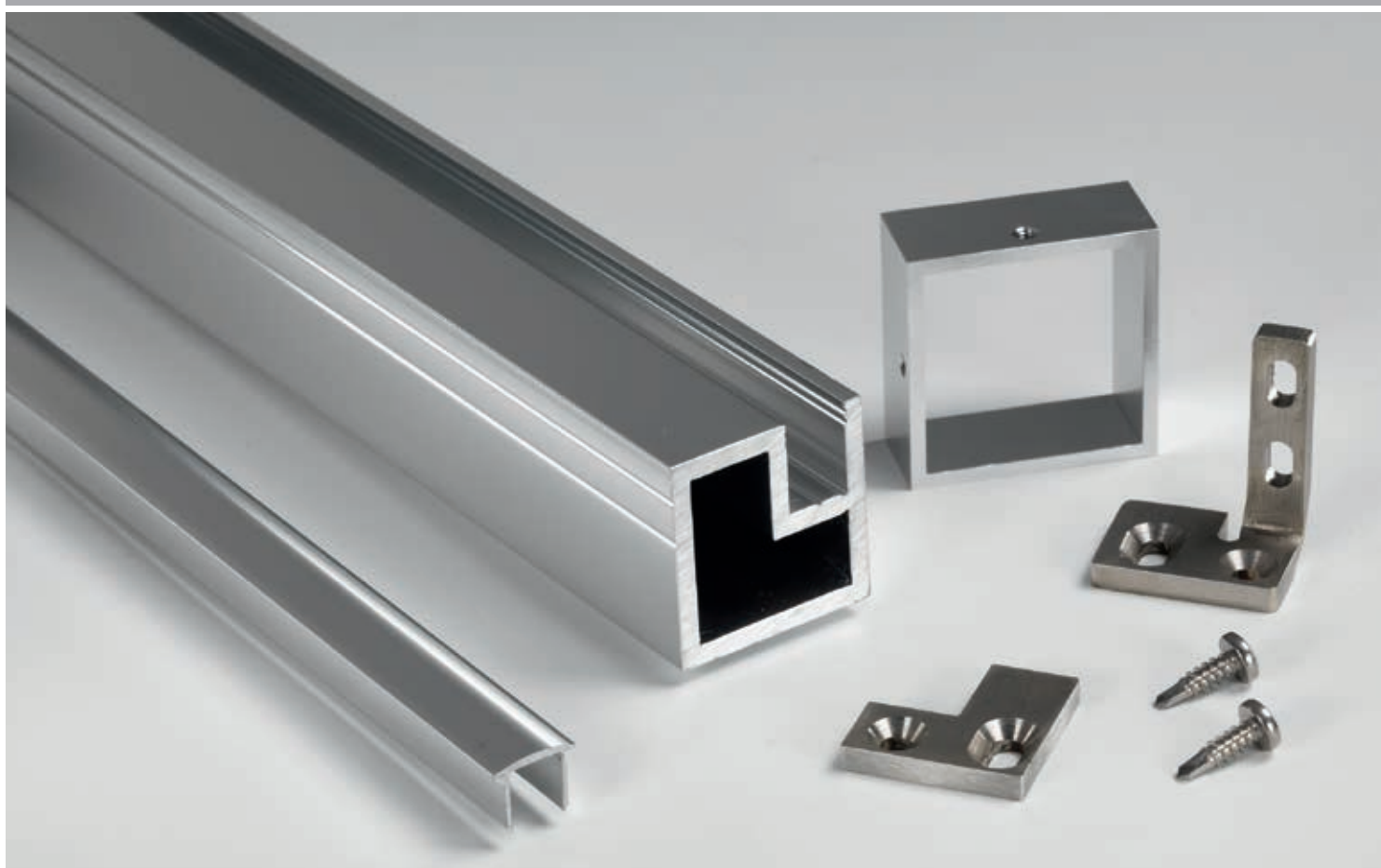
Finish: polished aluminium, chrome

Kit composed of:

- A** upright 40x40 mm length 2947 mm
- B** L-shaped upper fitting
- C** lower fitting
- D** finishing cover with conical tip grub screws
- E** finishing profile length 998 mm
- F** self-perforating screws



Art.	Dimensions	For glass panes	Finish	Q.ty
NV3CZ	40 x 40 x 3000 mm	min 8 - max 10 mm	Polished aluminium	1 Kit
NV3CZKR	40 x 40 x 2947 mm	min 8 - max 10 mm	Chrome	1 Kit

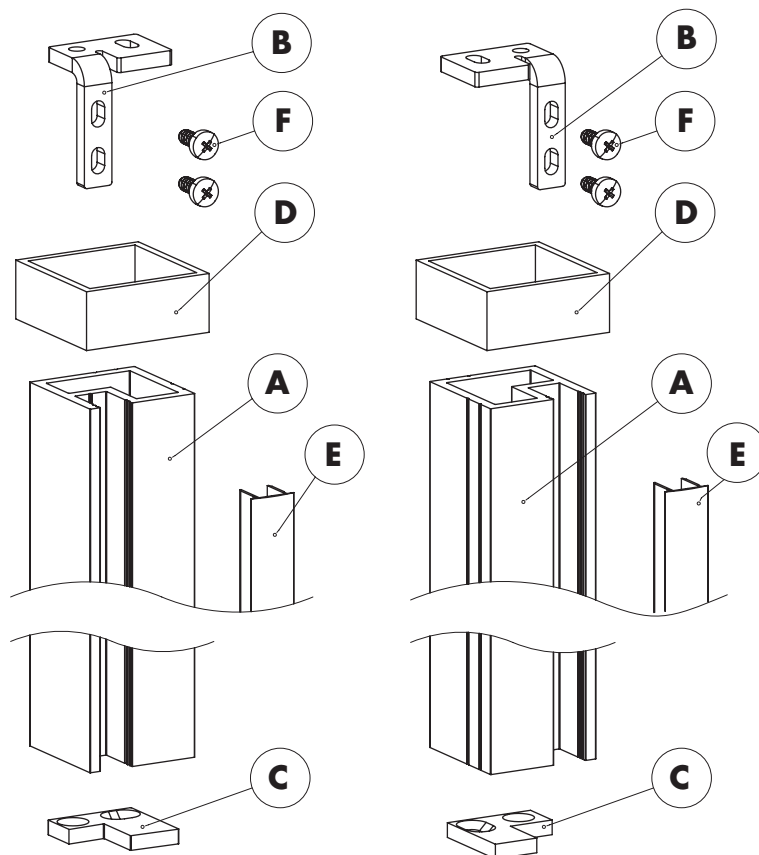


SIDE FIXING KIT

Material: aluminium and AISI 304 steel
 Aluminium pillar system for tailor-made glass shower partitions consisting of a profile with section 40 x 40 mm with joints for inserting the glass pane.
 The hinge is anchored with self-drilling screws.
 Suitable for 8mm to 10mm thick glass.
 Finish: polished aluminium, chrome

Kit consisting of:

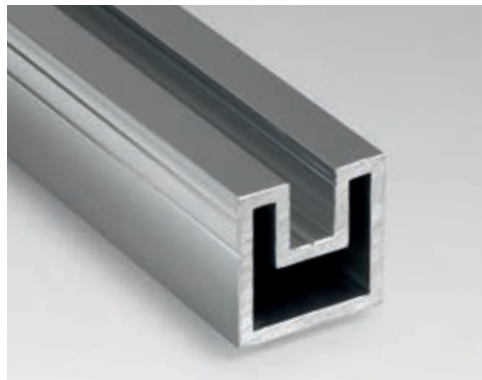
- A** Pillar 40x40 mm length 2947 mm
- B** L-shaped upper fitting
- C** Lower fitting
- D** Finishing cladding with conical tip locking screws
- E** Finishing profile length 998 mm
- F** Self-drilling screws



NV3SX - NV3SXKR

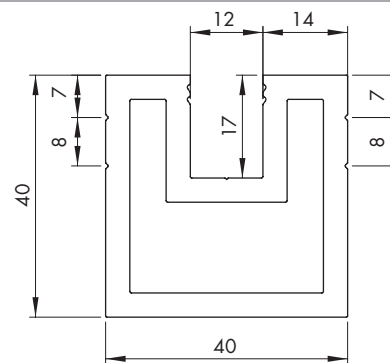
NV3DX - NV3DXKR

Art.	Dimensions	For glass	Finish	Q.ty
NV3SX	40 x 40 x 3000 mm	min 8 - max 10 mm	Polished aluminium	1 Kit
NV3DX	40 x 40 x 3000 mm	min 8 - max 10 mm	Polished aluminium	1 Kit
NV3SXKR	40 x 40 x 2947 mm	min 8 - max 10 mm	Chrome	1 Kit
NV3DXKR	40 x 40 x 2947 mm	min 8 - max 10 mm	Chrome	1 Kit



CENTRAL PILLAR

Material: aluminium
 Central pillar for NOVI 3000 kit
 Finish: polished aluminium, chrome
 (chromed profile length 2947 mm)



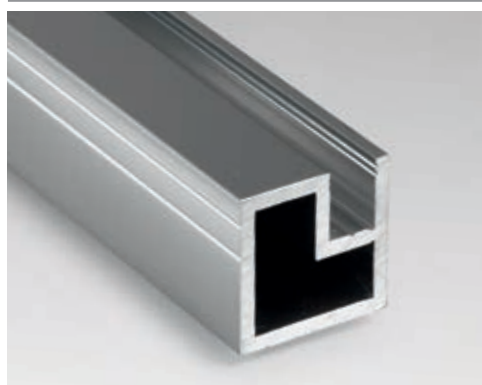
Art.	Description	Finish	Q.ty
NV3100	Profile length 3000 mm	Polished aluminium	1 Pc
NV3100KR	Profile length 2947 mm	Chrome	1 Pc



CENTRAL KIT

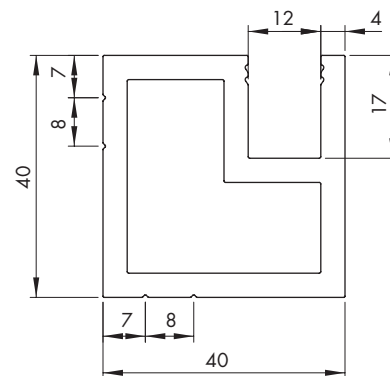
Material: AISI 304 steel
 Fixing kit for central pillar consisting of lower floor fitting and upper ceiling fitting with anchoring screws to the aluminium profile. The self-drilling screws drill and thread simultaneously.

Art.	Description	Q.ty
NV3200	Central fixing kit	1 Kit



SIDE PILLAR

Material: aluminium
 Side pillar for NOVI 3000 kit
 Finish: polished aluminium, chrome
 (chromed profile length 2947 mm)



Art.	Description	Finish	Q.ty
NV3300	Profile length 3000 mm	Polished aluminium	1 Pc
NV3300KR	Profile length 2947 mm	Chrome	1 Pc



SIDE KIT

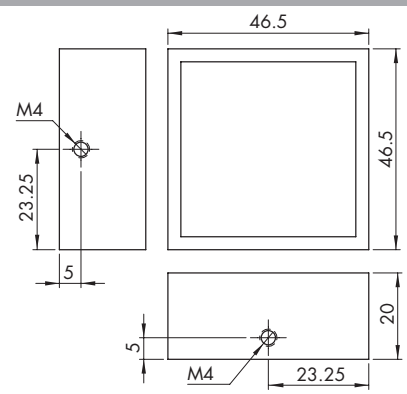
Material: AISI 304 steel
 Fixing kit for side pillar consisting of lower floor fitting and upper ceiling fitting with anchoring screws to the profile in aluminium. The self-drilling screws drill and thread simultaneously.

Art.	Description	Q.ty
NV3400SX	Left fixing kit	1 Kit
NV3400DX	Right fixing kit	1 Kit

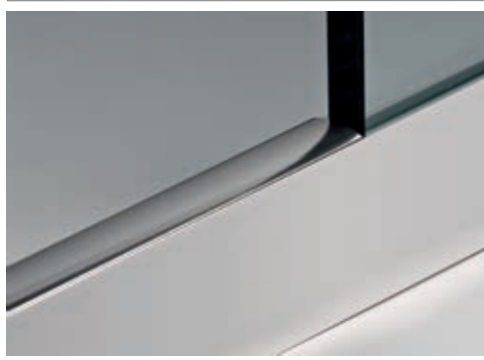


COVER FOR UPPER BRACKET

Material: aluminium
 Cover for upper fitting with locking screws.
 To be used with both central and side pillars.
 Finish: polished aluminium, chrome

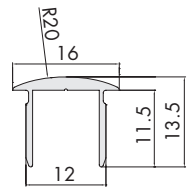
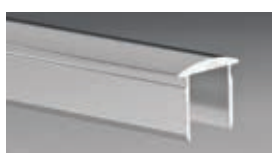


Art.	Description	Finish	Q.ty
NV3500	Cover	Polished aluminium	1 Pc
NV3500KR	Cover	Chrome	1 Pc



PROFILE PBD3184 FOR ALUMINIUM TRIM

Material: aluminium
 Features: upper bevelled profile for visible parts without glass to use in combination with: NV3100/3300, PBD3185 and LMU20.
 Finish: matt aluminium, brushed steel-effect aluminium, polished aluminium, chrome

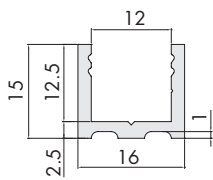


Art.	Description	Dimensions	Finish	Q.ty
PBD3184,150	Upper bevelled profile	1498 mm x 13.5 mm x 16 mm	Polished aluminium	1 Pc
PBD3184	Upper bevelled profile	3000 mm x 13.5 mm x 16 mm	Polished aluminium	1 Pc
PBD3184KR	Upper bevelled profile	3000 mm x 13.5 mm x 16 mm	Chrome	1 Pc



SIDE ADJUSTMENT PROFILE FOR FIXED GLASS

Material: aluminium
 Features: 3000 mm long aluminium profile with square edges and guide line to simplify drilling.
 Finish: matt aluminium, brushed steel-effect aluminium, polished aluminium, Chrome

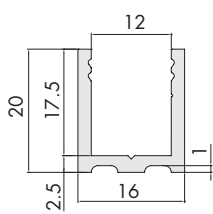


Art.	Description	Finish	Q.ty
PBD3185	U-section adjustment profile length 3000 mm	Polished aluminium	1 Pc
PBD3185KR	U-section adjustment profile length 997 mm	Chrome	1 Pc

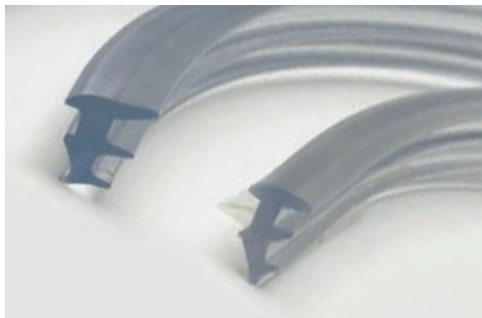


LOWER ALUMINIUM U-SECTION FIXED PROFILE

Material: aluminium
 Features: 3000/1498 mm long aluminium profile with square edges and guide line to simplify drilling.
 Finish: matt aluminium, brushed steel-effect aluminium, polished aluminium, Chrome



Art.	Description	Finish	Q.ty
LMU20,150	U-section profile length 1498 mm	Polished aluminium	1 Pc
LMU20,300	U-section profile length 3000 mm	Polished aluminium	1 Pc
LMU20,300KR	U-section profile length 2997 mm	Chrome	1 Pc



TRANSPARENT GLASS STOP PROFILE

Material: PVC Universal
 Features: glass stop to be inserted in the PBD profile.
 Colour: transparent

Art.	Dimensions	Q.ty
UP2	Thickness 2 mm	1 m
UP4	Thickness 4 mm	1 m
UP2,400	Thickness 2 mm - ROLL 400 m	1 Pc
UP4,250	Thickness 4 mm - ROLL 250 m	1 Pc

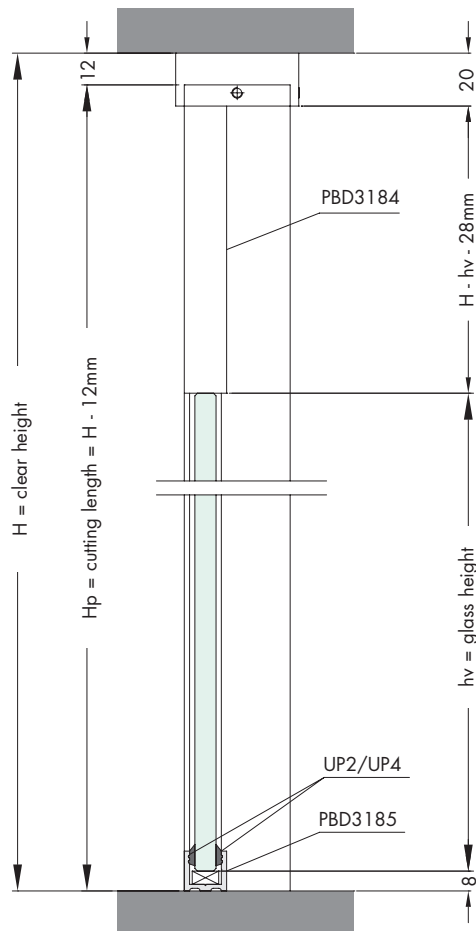


SELF-DRILLING SCREWS

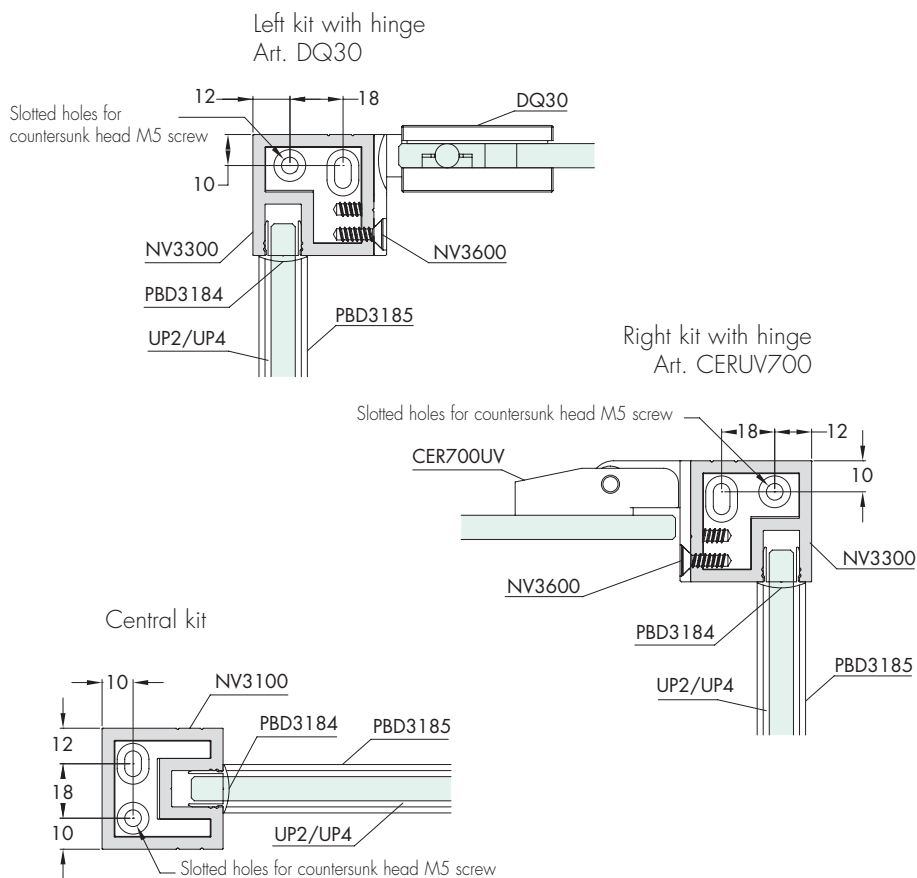
Stainless steel self-drilling screws.
 They drill and thread simultaneously.

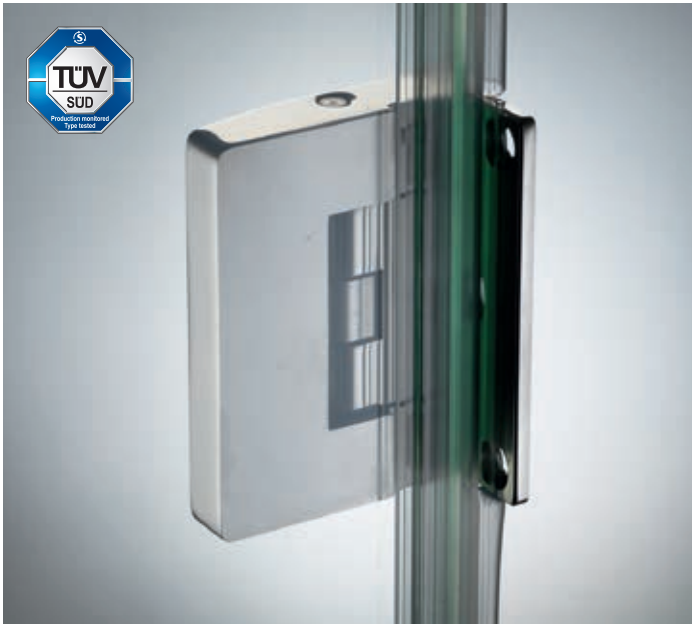
Art.	Description	Q.ty
NV3600	Kit of 3 self-drilling screws	1 Kit

TECHNICAL DIAGRAM FOR INSTALLATION



INSTALLATION EXAMPLES





700 HINGE FOR UV BONDING WITH ADJUSTABLE SIDE SINGLE ACTION SNAP

Material: AISI 316 stainless steel

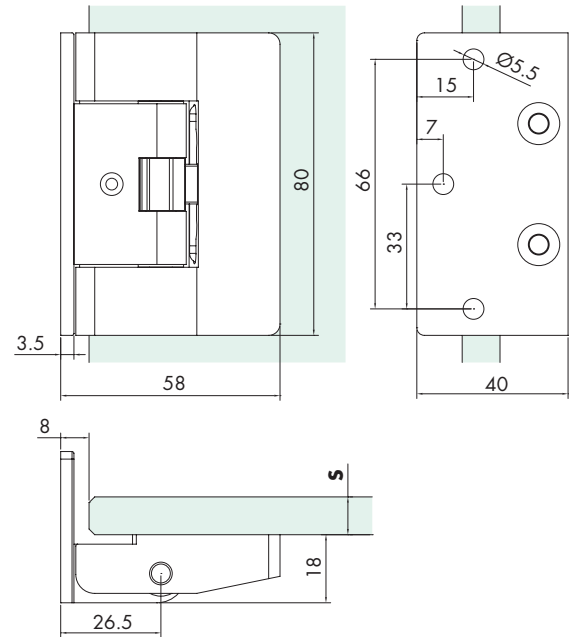
Features: Hinge with $\pm 6^\circ$ glass leaf adjustment.

+ 90° rotation with snap. Anchoring plate screwed to the hinge body 80 x 40 mm. Mounting with UV bonding.

Finish: polished steel, stainless steel.

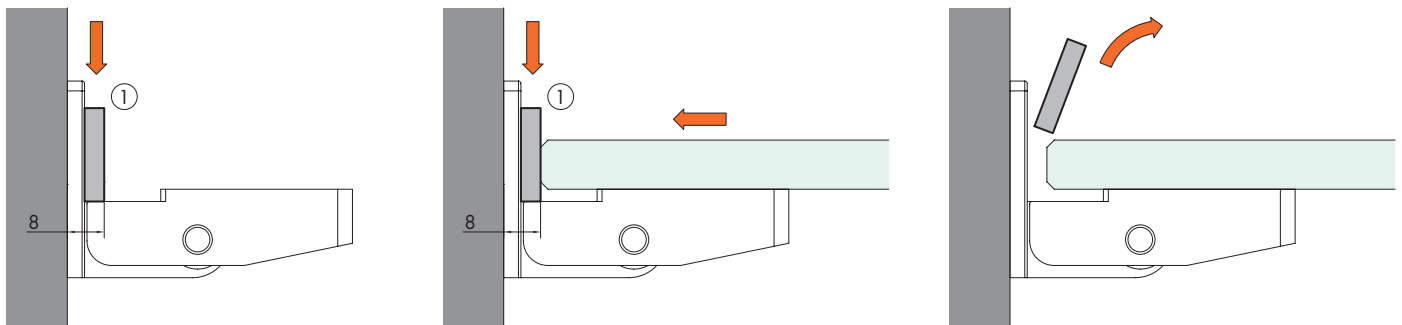
Recommended adhesive:

Float / Tempered / Laminated: FIXGLASS UV 973 / FIXGLASS UV 973 GEL



Art.	Dimensions	Max load	Max door width	Q.ty
CER700UV	L 58 mm H 80 mm	50 kg (per pair)	750 mm	1 Pc

CER700UV HINGE FIXING INSTRUCTIONS



180° ADJUSTABLE 720 HINGE FOR UV BINDING WITH SINGLE ACTION SNAP

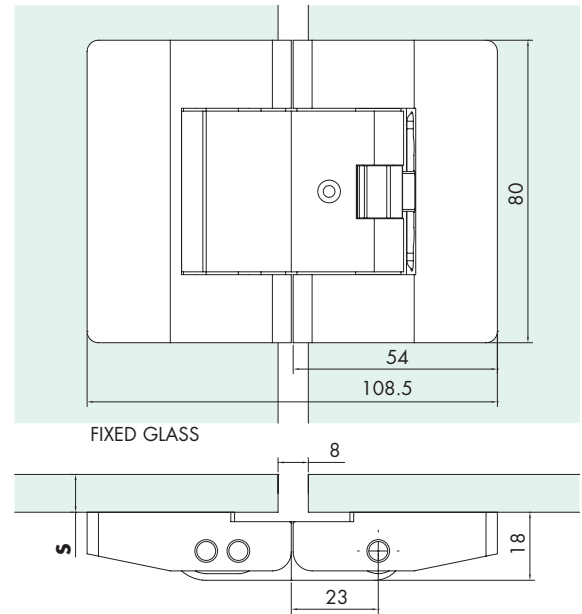
Material: AISI 316 stainless steel

Features: Hinge with +/- 6° glass adjustment. +90° rotation with snap.

Anchoring plate screwed to the hinge body, 80x40 mm. Fixing by UV bonding.

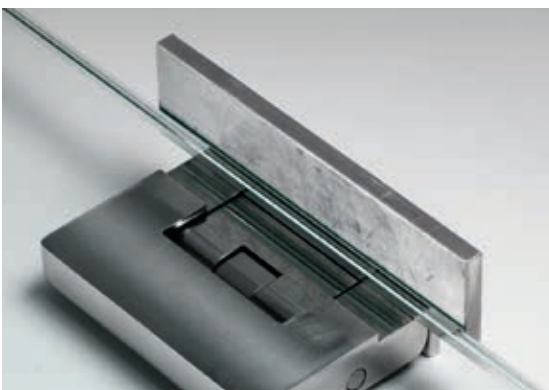
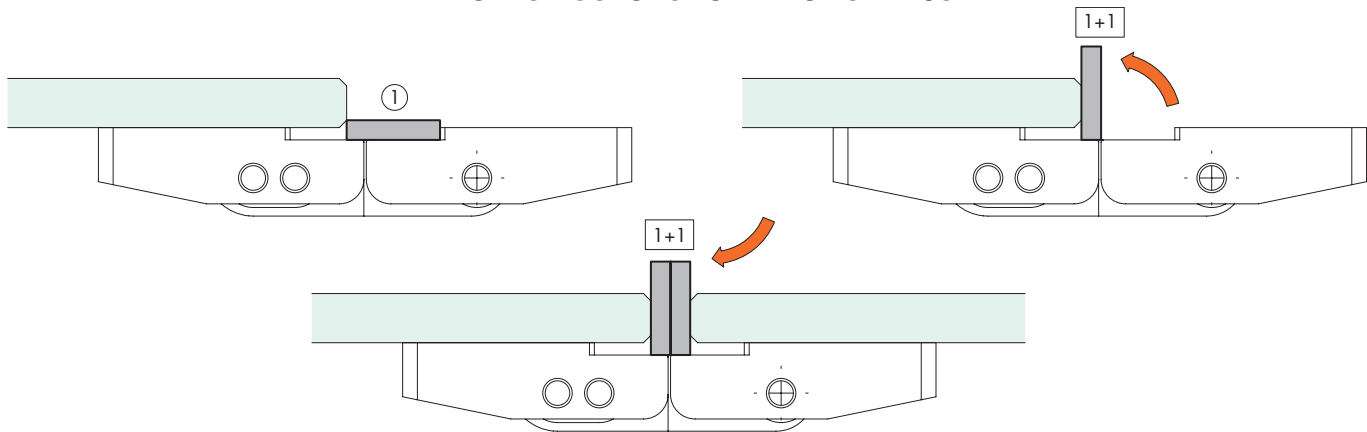
Finish: polished steel, satin-finish steel.

Recommended adhesives: Float / Tempered / Laminated: FIXGLASS UV 973/ FIXGLASS UV 973 GEL



Art.	Dimensions	Capacity	Max door width	Q.ty
CER720UV	L 108.5 mm H 80 mm	50 kg (per pair)	750 mm	1 Pc

FIXING INSTRUCTIONS FOR HINGE CER720UV



CER700UV AND CER720UV HINGES FIXING TEMPLATE

Material: AISI 304 stainless steel

Features: This template allows bonding the hinges in the correct position and well in axis. Thickness calibrated to prepare the GM62 balloon gasket.

Single use to bond CER700UV.

Use in pair to bond CER720UV.

Art.	Dimensions	Q.ty
FXGAB01	L 120 mm x P 19 mm x H 4 mm	1 Pc





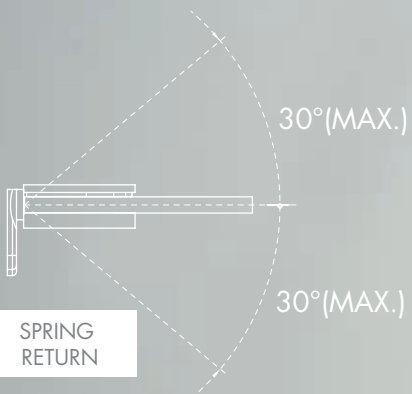
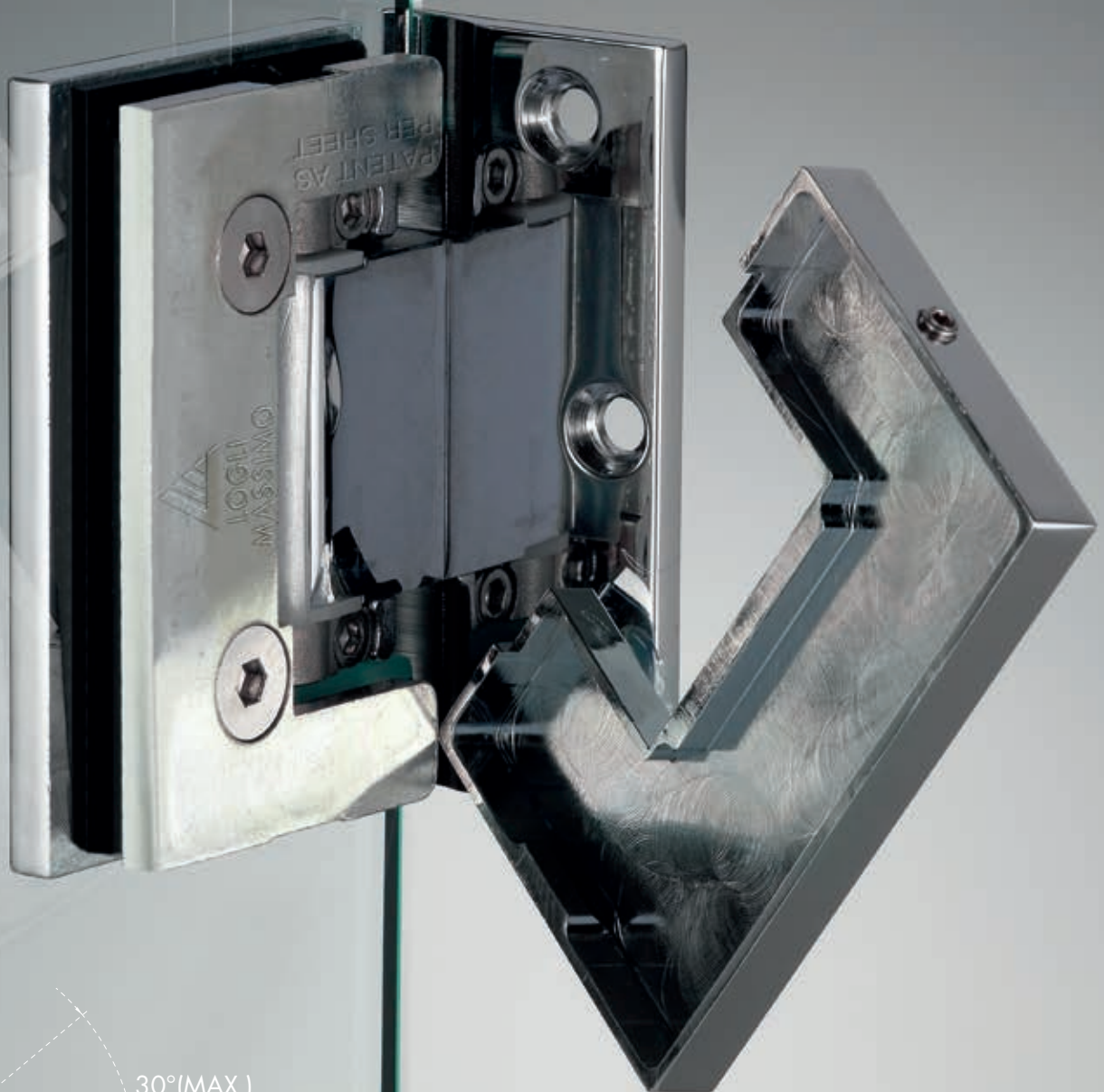


Tests performed according to **UNI EN 14428:2008:**

ENDURANCE TEST – 20,000 opening/closing cycles

WATER RETENTION – Water jet at 38°C in 90° direction for 1 minute with no seepage

CORROSION RESISTANCE TEST – Conditioning in salty mist (5% solution according to ISO 9227:2006) for 168 h with no appearance of rust



SYSTEMS FOR BALUSTRADES
SYSTEMS FOR OUTDOORS
SYSTEMS FOR GLASS PARTITIONS
STEEL SYSTEMS FOR SLIDING DOORS
ALUMINIUM SYSTEMS FOR SLIDING DOORS
SYSTEMS FOR HINGED DOORS
PULL HANDLES AND INOBS
SYSTEMS FOR SHOWER PARTITIONS

HD SQUARE SERIES ADJUSTABLE HINGES WITH COVER FOR 6/8 mm AND 10/12 mm GLASS

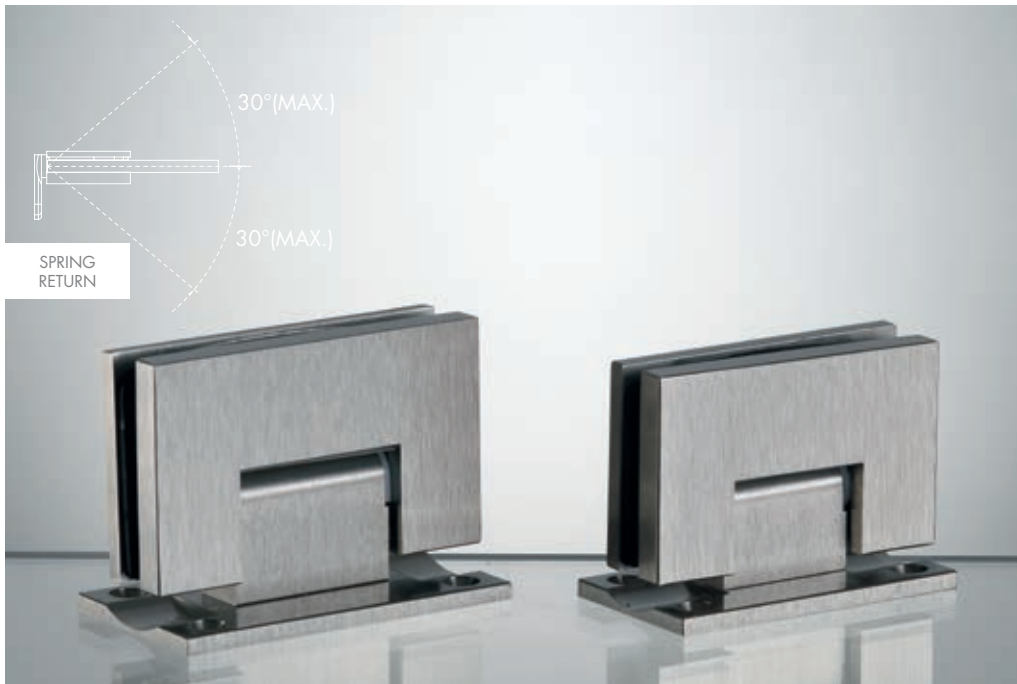
Material: brass

Main feature: no visible screws

Other features:

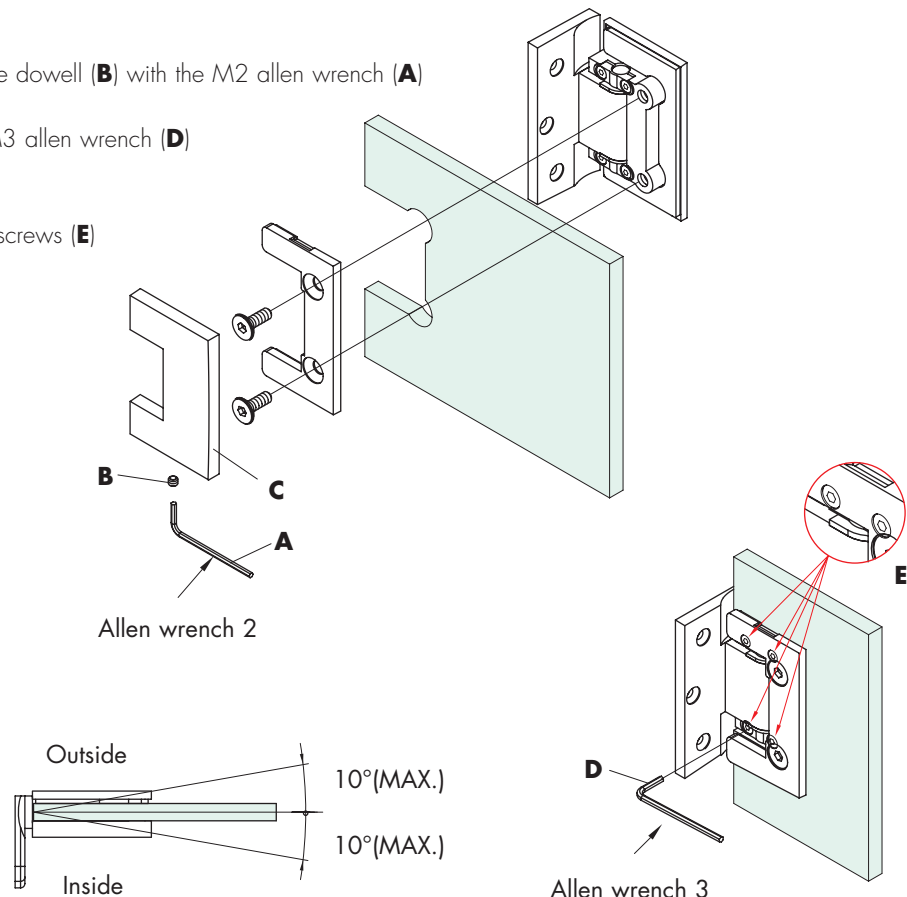
- Cast body CNC finished, remaining parts machined produces
- brass cover on one side to hide the fixing screws connecting the glass panel
- +/- 10° adjustment after assembling
- Adhesive gaskets for an easy hinge positioning on the glass
- **+/- 90° rotating angle with snap at 0° and stop at +/- 90° and automatic return within 30°**

Finish: chrome, stainless steel imitation



ADJUSTMENT INSTRUCTIONS

1. Take the cover off (C) both hinges by unscrewing the dowell (B) with the M2 allen wrench (A)
2. Unscrew the 4 screws (E) on each hinge with the M3 allen wrench (D) and proceed with the glass adjustment
3. Once the glass is properly positioned tighten the 4 screws (E) on both hinges
4. Place the covers (C) back on
5. Tighten the dowell (B)





HD SQUARE SERIES ADJUSTABLE SIDE HINGE FOR 10/12 mm GLASS

Material: brass - Main features: no visible screws - Other features: glass/wall hinge with side plate

Die cast body with CNC finish, remaining parts are machine produced

Brass cover on one side to hide the fixing screws connecting the glass panel

+/- 10° adjustment after assembling

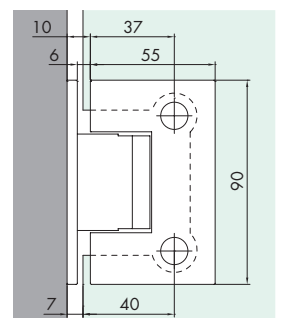
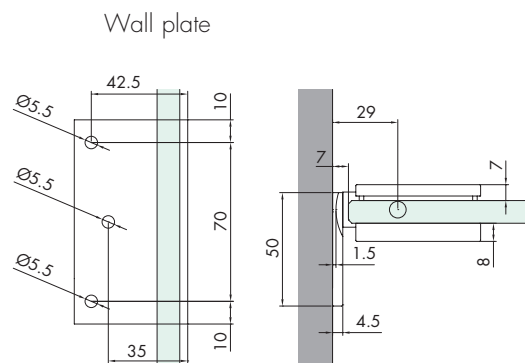
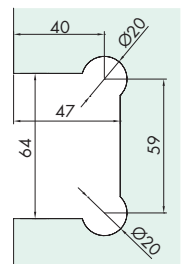
Grooved wall fixing plate screwed to the body size 50mm x 90mm

2 2mm and 2 1mm black gaskets included

Adhesive gaskets for an easy hinge positioning on the glass

+/- 90° rotating angle with snap at 0° and stop at +/- 90° and automatic return within 30°

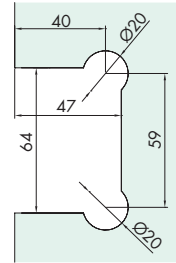
Finish: chrome, stainless steel imitation



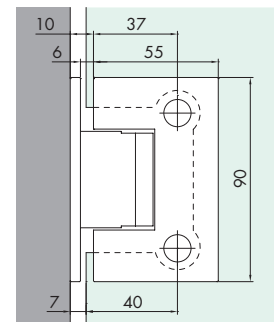
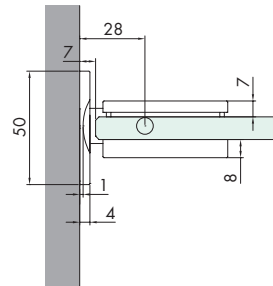
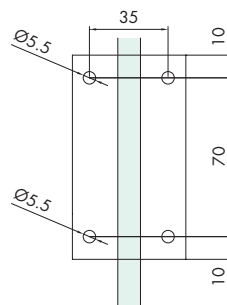
Art.	Dimensions	Glass	Load capacity	Max door width	Q.ty
DQ40	L 55 mm H 90 mm	10/12 mm	56 kg	900 mm	1 Pc

HD SQUARE SERIES ADJUSTABLE SIDE HINGE FOR 10/12 mm GLASS

Material: brass - Main feature: no visible screws - Other features: glass/wall hinge with side plate center positioned
 Die cast body with CNC finish, remaining parts are machine produced
 Brass cover on one side to hide the fixing screws connecting the glass panel
 +/- 10° adjustment after assembling
 Grooved wall fixing plate screwed to the hinge body size 50mm x 90mm
 2 2mm and 2 1mm black gaskets included
 Adhesive gaskets for an easy hinge positioning on the glass
+/- 90° rotating angle with snap at 0° and stop at +/- 90° and automatic return within 30°
 Finish: chrome, stainless steel imitation



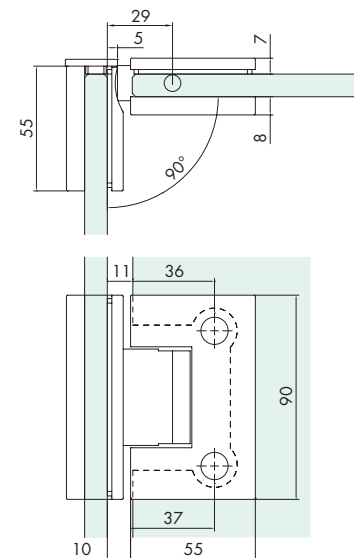
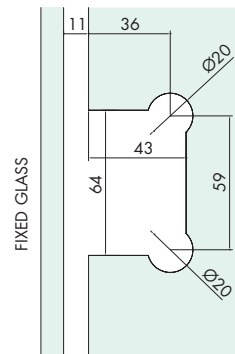
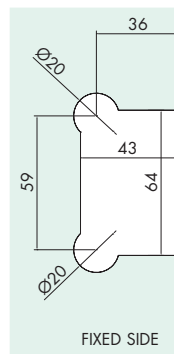
Wall plate



Art.	Dimensions	Glass	Load capacity	Max door width	Q.ty
DQ42	L 55 mm H 90 mm	10/12 mm	56 kg	900 mm	1 Pc

HD SQUARE SERIES ADJUSTABLE 90° HINGE FOR 10/12 mm GLASS

Material: brass - Main feature: no visible screws
 Other features: glass/glass 90° hinge
 Die cast body with CNC finish, remaining parts are machine produced
 Brass cover on one side to hide the fixing screws connecting the glass panel
 +/- 10° adjustment after assembling
 4 2mm and 4 1mm black gaskets included
 Adhesive gaskets for an easy hinge positioning on the glass
+/- 90° rotating angle with snap at 0° and stop at +/- 90° and automatic return within 30°
 Finish: chrome, stainless steel imitation



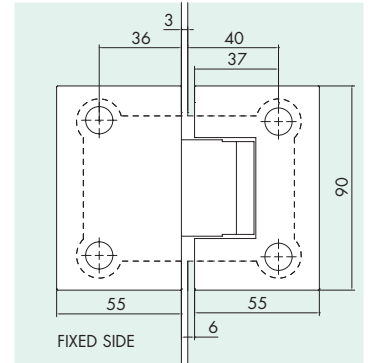
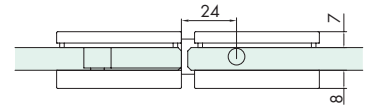
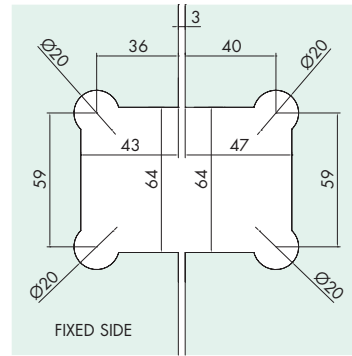
Art.	Dimensions	Glass	Load capacity	Max door width	Q.ty
DQ490	L 55 mm + 55 mm H 90 mm	10/12 mm	56 kg	900 mm	1 Pc

HD SQUARE SERIES ADJUSTABLE STRAIGHT HINGE FOR 10/12 mm GLASS

Material: brass - Main feature: no visible screw
 Other features: glass/glass straight hinge
 Die cast body with CNC finish, remaining parts are machine produced
 Brass cover on one side to hide the fixing screws connecting the glass panel
 +/- 10° adjustment after assembling
 4 2mm and 4 1mm black gaskets included
 Adhesive gaskets for an easy hinge positioning on the glass

+/- 90° rotating angle with snap at 0° and stop at +/- 90° and automatic return within 30°

Finish: chrome, stainless steel imitation



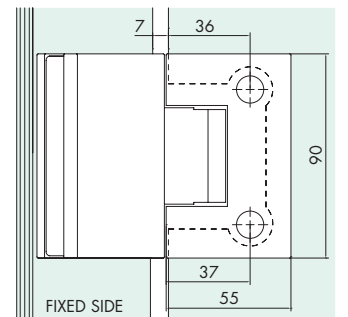
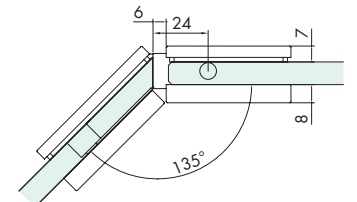
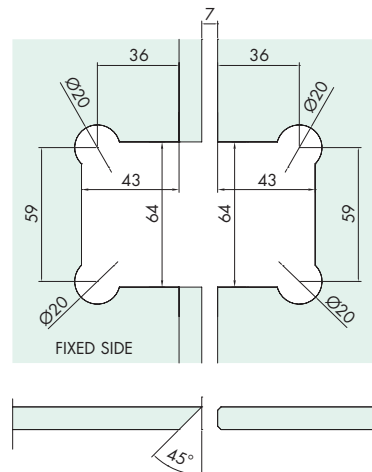
Art.	Dimensions	Glass	Load capacity	Max door width	Q.ty
DQ480	L 116 mm H 90 mm	10/12 mm	56 kg	900 mm	1 Pc

HD SQUARE SERIES ADJUSTABLE 135° HINGE FOR 10/12 mm GLASS

Material: brass - Main feature: no visible screws
 Other features: glass/glass 135° hinge
 Die cast body with CNC finish, remaining parts are machine produced
 Brass cover on one side to hide the fixing screws connecting the glass panel
 +/- 10° adjustment after assembling
 4 2mm and 4 1mm black gaskets included
 Adhesive gaskets for an easy hinge positioning on the glass

+/- 90° rotating angle with snap at 0° and stop at +/- 90° and automatic return within 30°

Finish: chrome, stainless steel imitation



Art.	Dimensions	Glass	Load capacity	Max door width	Q.ty
DQ4135	L 65.5 + 55 mm H 90 mm	10/12 mm	56 kg	900 mm	1 Pc

HD SQUARE SERIES ADJUSTABLE STRAIGHT HINGE WITH WALL PLATE FOR 10/12 mm GLASS

Material: brass - Main features: no visible screws

Other features: hinge with plate to be fixed to the wall. Die cast body with CNC finish, remaining parts are machine produced

Brass cover on one side to hide the fixing screws connecting the glass panel

+/- 10° adjustment after assembling

Grooved wall fixing plate screwed to the hinge body size 49mm x 90mm

2 2mm and 2 1mm black gaskets included

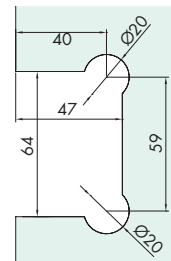
Adhesive gaskets for an easy hinge positioning on the glass

+/- 90° rotating angle with snap at 0° and stop at +/- 90° and automatic return within 30°

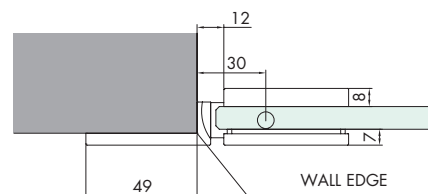
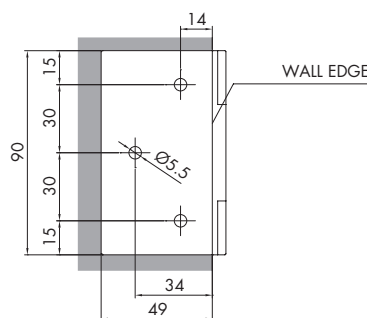
Finish: chrome, stainless steel imitation



Spare plate
Art. **DQMP6** page 673



Wall plate



Art.	Dimensions	Glass	Load capacity	Max door width	Q.ty
DQ475	L 116 mm H 90 mm	10/12 mm	56 kg	900 mm	1 Pc

HD SQUARE SERIES ADJUSTABLE 135° HINGE WITH WALL PLATE FOR 10/12 mm GLASS

Material: brass - Main features: no visible screws

Other features: 135° hinge with wall plate. Die cast body with CNC finish, remaining parts are machine produced

Brass cover on one side to hide the fixing screws connecting the glass panel

+/- 10° adjustment after assembling

Grooved wall fixing plate screwed to the hinge body size 55mm x 90mm

2 2mm and 1 1mm black gaskets included

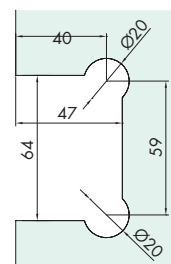
Adhesive gaskets for an easy hinge positioning on the glass

+/- 90° rotating angle with snap at 0° and stop at +/- 90° and automatic return within 30°

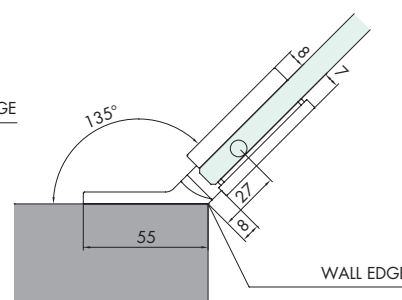
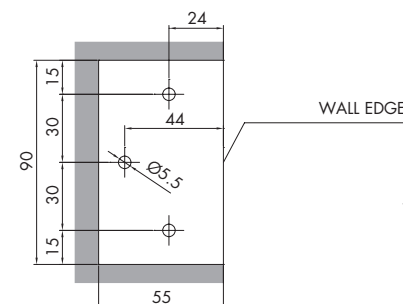
Finish: chrome, stainless steel imitation



Spare plate
Art. **DQMP6** page 673



Wall plate



Art.	Dimensions	Glass	Load capacity	Max door width	Q.ty
DQ497	L 63+55 mm H 90	10/12 mm	56 kg	900 mm	1 Pc



SYSTEMS FOR
BALUSTRADES

SYSTEMS FOR
OUTDOORS

SYSTEMS FOR
GLASS PARTITIONS

STEEL
SYSTEMS FOR
SLIDING DOORS

ALUMINIUM
SYSTEMS FOR
SLIDING DOORS

SYSTEMS FOR
HINGED DOORS

PULL HANDLES
AND KNOBS

HD SQUARE SERIES LOCK/THUMB TURN FOR 10/12 mm GLASS

Material: brass - Main feature: no visible screws

Other features: glass/wall lock for hinged door with lock and thumb turn. Different key lock cylinder

Die cast body with CNC finish, remaining parts are machine produced

Brass cover on one side hiding the screws connecting the glass panel

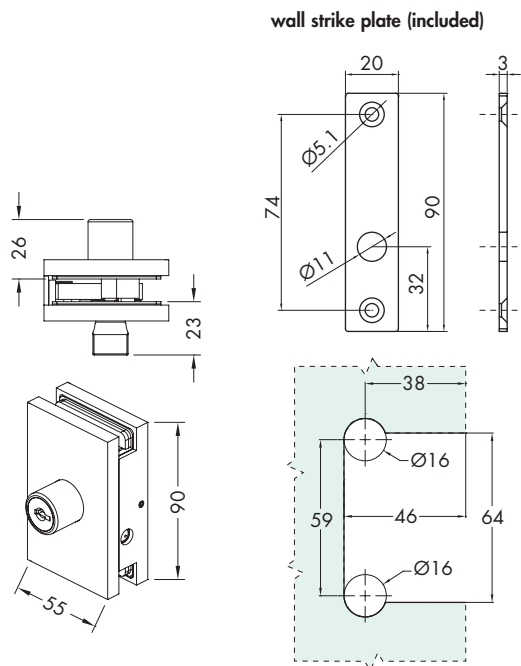
Right position. For left position mount the lock upside down

2 2mm and 2 1mm gaskets included

Finish: chrome, stainless steel imitation



- REGISTERED DESIGN IN THE EUROPEAN UNION -



Art.	Dimensions	Pin	Key	Glass	Q.ty
DQC51	L 55 mm H 90 mm	Ø7 x L15,5 mm	Different	10/12 mm	1 Pc

HD SQUARE SERIES LOCK/THUMB TURN WITH PULL HANDLE FOR 10/12 mm GLASS

Material: brass - Main feature: no visible screws

Other features: glass/wall lock for hinged door with lock and thumb turn. Different key lock cylinder

Die cast body with CNC finish, remaining parts are machine produced

Brass cover on one side hiding the screws connecting the glass panel

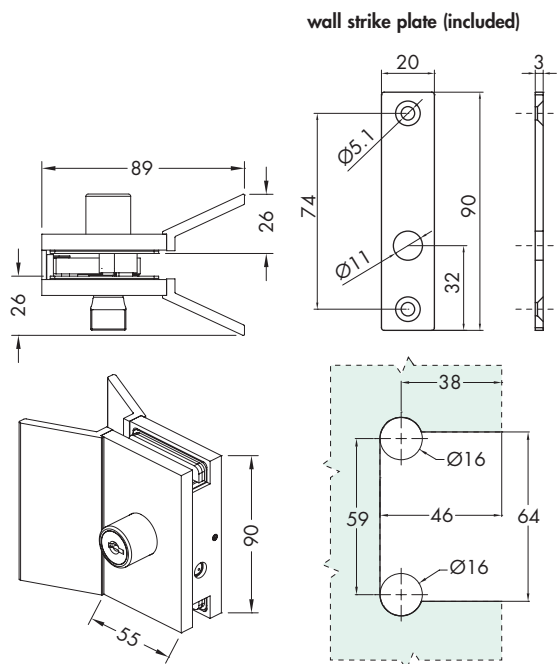
Right position. For left position mount the lock upside down. With pull handle

2 2mm and 2 1mm gaskets included

Finish: chrome, stainless steel imitation



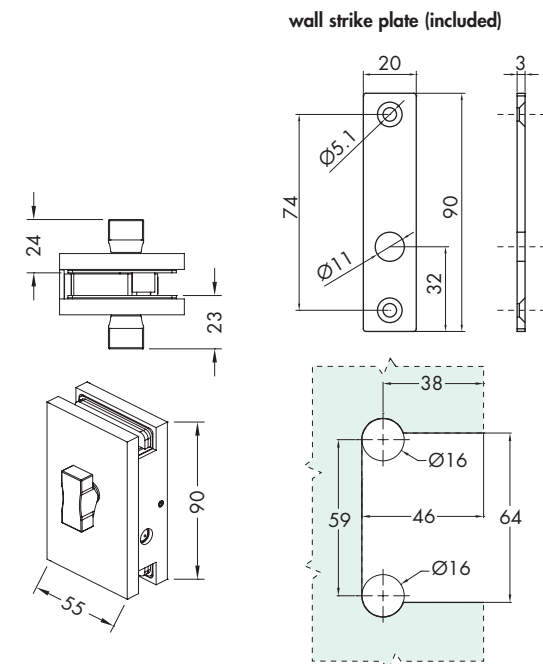
- REGISTERED DESIGN IN THE EUROPEAN UNION -



Art.	Dimensions	Handles dimensions	Pin	Key	Glass	Q.ty
DQC53	L 55 mm H 90 mm	H 90 mm L 34 mm P 26 mm	Ø7 x L15,5 mm	Different	10/12 mm	1 Pc

HD SQUARE SERIES THUMB TURN/THUMB TURN FOR 10/12 mm GLASS

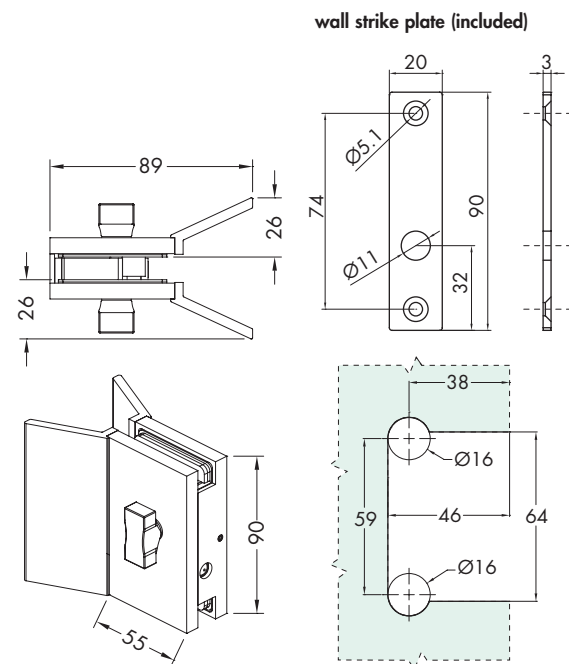
Material: brass - Main feature: no visible screws
 Other features: glass/wall lock for hinged door with thumb turn
 Die cast body with CNC finish, remaining parts are machine produced
 Brass cover on one side hiding the screws connecting the glass panel
 Right position. For left position mount the lock up-side down
 2 2mm and 2 1mm gaskets included
 Finish: chrome, stainless steel imitation



Art.	Dimensions	Pin	Glass	Q.ty
DQC55	L 55 mm H 90 mm	Ø7 x L15,5 mm	10/12 mm	1 Pc

HD SQUARE SERIES THUMB TURN/THUMB TURN WITH PULL HANDLE FOR 10/12 mm GLASS

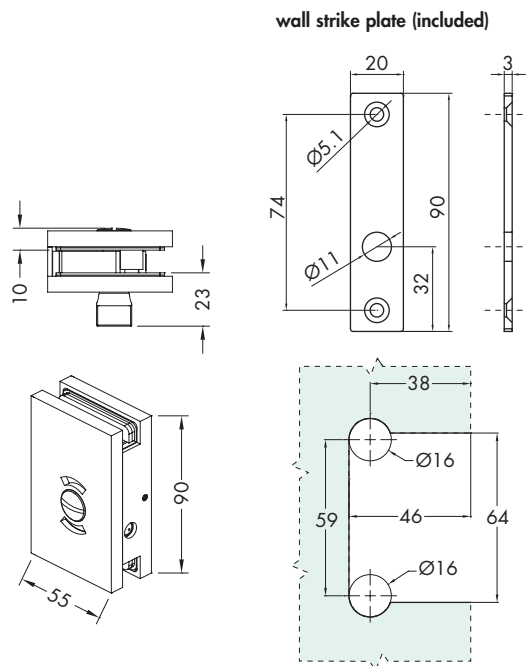
Material: brass - Main feature: no visible screws
 Other features: glass/wall lock for hinged door with thumb turn
 Die cast body with CNC finish, remaining parts are machine produced
 Brass cover on one side hiding the screws connecting the glass panel
 Right position. For left position mount the lock up-side down. With pull handle
 2 2mm and 2 1mm gaskets included
 Finish: chrome, stainless steel imitation



Art.	Dimensions	Handles dimensions	Pin	Glass	Q.ty
DQC575	L 55 mm H 90 mm	H 90 mm L 34 mm P 26 mm	Ø7 x L15,5 mm	10/12 mm	1 Pc

HD SQUARE SERIES PRIVACY LOCK VACANT/OCCUPIED FOR 10/12 mm GLASS

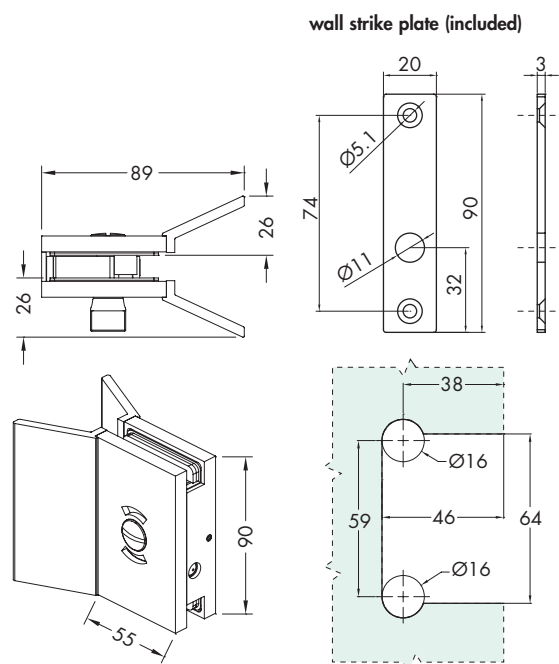
Material: brass - Main features: no visible screws
 Other features: glass/wall lock for hinged door with swiveling thumb turn
 Die cast body with CNC finish, remaining parts are machine produced
 Brass cover on one side hiding the screws connecting the glass panel
 Right position. For left position mount the lock upside down
 2 2mm and 2 1mm gaskets included
 Finish: chrome, stainless steel imitation



Art.	Dimensions	Pin	Glass	Q.ty
DQC58	L 55 mm H 90 mm	Ø7 x L15,5 mm	10/12 mm	1 Pc

HD SQUARE SERIES PRIVACY LOCK VACANT/OCCUPIED WITH PULL HANDLE FOR 10/12 mm GLASS

Material: brass - Main features: no visible screws
 Other features: glass/wall lock for hinged door with swiveling thumb turn
 Die cast body with CNC finish, remaining parts are machine produced
 Brass cover on one side hiding the screws connecting the glass panel
 Right position. For left position mount the lock upside down, with pull handle
 2 2mm and 2 1mm gaskets included
 Finish: chrome, stainless steel imitation



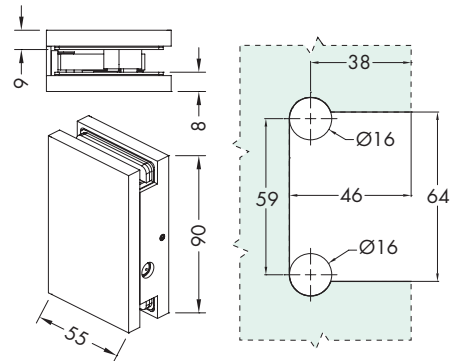
Art.	Dimensions	Handles dimensions	Pin	Glass	Q.ty
DQC59	L 55 mm H 90 mm	H 90 mm L 34 mm P 26 mm	Ø7 x L15,5 mm	10/12 mm	1 Pc

SYSTEMS FOR BRUSHRADES
 SYSTEMS FOR OUTDOORS
 SYSTEMS FOR GLASS PARTITIONS
 SYSTEMS FOR SLIDING DOORS
 STEEL SYSTEMS FOR SLIDING DOORS
 ALUMINIUM SYSTEMS FOR SLIDING DOORS
 SYSTEMS FOR HINGED DOORS
 PULL HANDLES AND KNOBS
 SYSTEMS FOR SHOWER PARTITIONS



HD SQUARE SERIES LATCH BOX FOR 10/12 mm GLASS

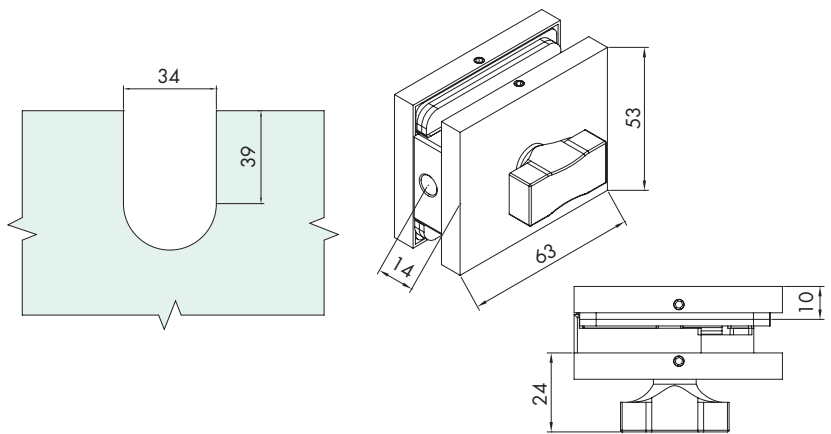
Material: brass
 Features: latch box for double wing glass doors
 Suitable with items DQC53, DQC55, DQC575, DQC58, DQC59
 2 2mm and 2 1mm gaskets included
 Finish: chrome, stainless steel imitation



Art.	Dimensions	Space Glass/Glass	Glass	Q.ty
DQC61	L 55 mm H 90 mm	3 mm	10/12 mm	1 Pc

HD SQUARE SERIES FOR 10/12 mm GLASS

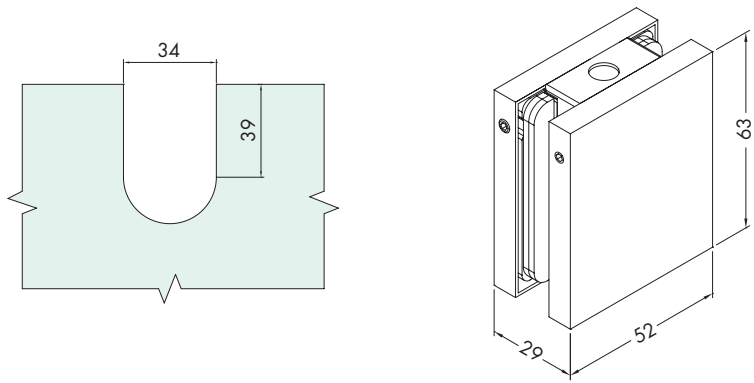
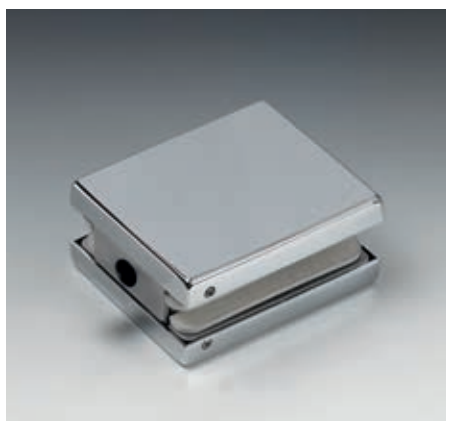
Material: die cast aluminum, **brass cover**
 Features: bolt with thumb turn to be used with item DQC65 or with dust socket GL7300.
 Finish chrome, stainless steel imitation



Art.	Dimensions	Pin	Glass	Q.ty
DQC63	Base 53 mm H 63 mm	Ø 7,5 L 13,5 mm	10/12 mm	1 Pc

LATCH BOX DQC65

Material: die cast aluminum body, **brass cover**
 Features: latch box for item DQC63
 Finish chrome, stainless steel imitation



Art.	Dimensions	Glass	Q.ty
DQC65	Base 52 mm H 63 mm	10/12 mm	1 Pc



SYSTEMS FOR
BRILLIANTDES

SYSTEMS FOR
OUTDOORS

SYSTEMS FOR
GLASS PARTITIONS

STEEL
SYSTEMS FOR
SLIDING DOORS

ALUMINIUM
SYSTEMS FOR
SLIDING DOORS

SYSTEMS FOR
HINGED DOORS

PULL HANDLES
AND KNOBS

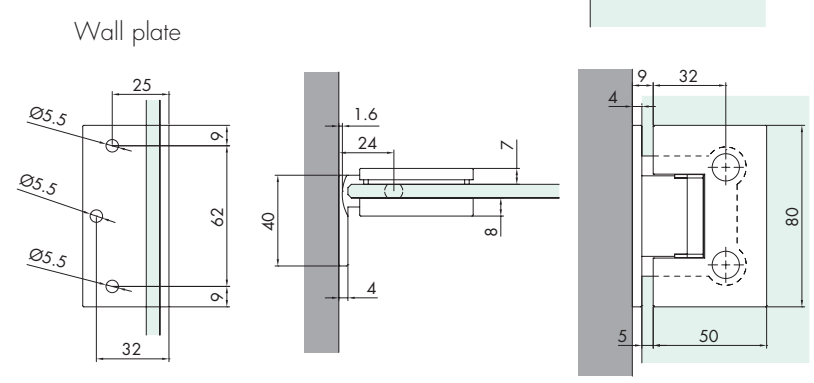
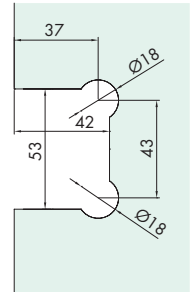
SYSTEMS FOR
SHOWER PARTITIONS



HD SQUARE SMALL SERIES HINGES 6/8 mm

HD SQUARE SMALL SERIES ADJUSTABLE SIDE HINGE FOR 6/8 mm GLASS

Material: brass - Main features: no visible screws - Other features: hinge glass/wall with side plate
 Die cast body with CNC finish, remaining parts are machine produced
 Brass cover on one side to hide the fixing screws connecting the glass panel
 +/- 10° adjustment after assembling
 Grooved wall fixing plate screwed to the hinge body size 40mm x 80mm
 2 2mm and 2 1mm black gaskets included
 Adhesive gaskets for an easy hinge positioning on the glass
+/- 90° rotating angle with snap at 0° and stop at +/- 90° and automatic return within 30°
 Finish: chrome, stainless steel imitation

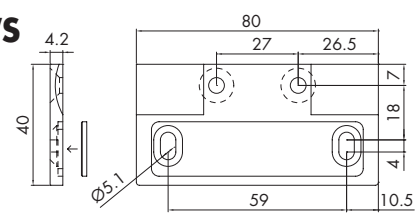


Art.	Dimensions	Glass	Load capacity	Max door width	Q.ty
DQ30	L 50 mm H 80 mm	6/8 mm	40 kg	850 mm	1 Pc



WALL PLATE FOR DQ30 HINGE - NO VISIBLE SCREWS

Material: brass
 Features: wall plate with slot holes to regulate the vertical screwing.
 Finishing cover included.
 Finish: chrome, stainless steel imitation

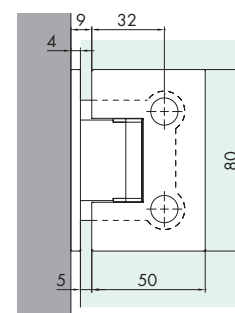
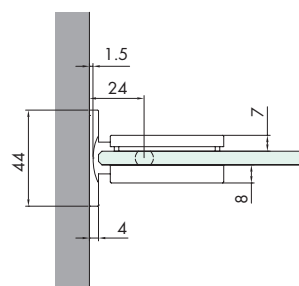
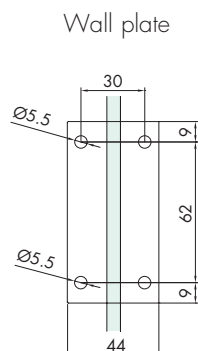
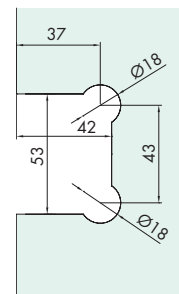


Art.	Dimensions	Q.ty
DQ30PT	L 80 mm H 40 mm	1 Pc



HD SQUARE SMALL SERIES ADJUSTABLE CENTER POSITIONED HINGE FOR 6/8 mm GLASS

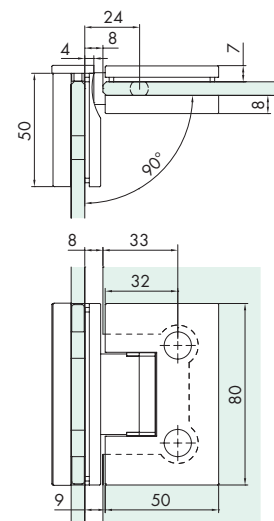
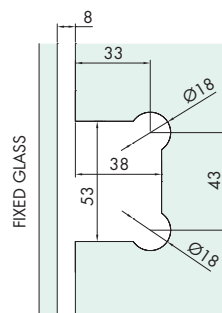
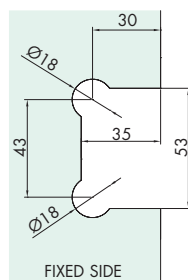
Material: brass - Main features: no visible screws - Other features: glass/wall hinge with plate side center positioned
 Die cast body with CNC finish, remaining parts are machine produced
 Brass cover on one side to hide the screws connecting the glass panel
 +/- 10° adjustment after assembling
 Wall fixing plate screwed to the hinge body size 44mm x 80mm
 2 2mm and 2 1mm black gaskets included
 Adhesive gaskets for an easy hinge positioning on the glass
+/- 90° rotating angle with snap at 0° and stop at +/- 90° and automatic return within 30°
 Finish: chrome, stainless steel imitation



Art.	Dimensions	Glass	Load capacity	Max door width	Q.ty
DQ32	L 50 mm H 80 mm	6/8 mm	40 kg	850 mm	1 Pc

HD SQUARE SMALL SERIES ADJUSTABLE 90° HINGE FOR 6/8 mm GLASS

Material: brass - Main features: no visible screws
 Other features: glass/glass 90° hinge
 Die cast body with CNC finish, remaining parts are machine produced
 Brass cover on one side to hide the screws connecting the glass panel
 +/- 10° adjustment after assembling
 4 2mm and 4 1mm black gaskets included
 Adhesive gaskets for an easy hinge positioning on the glass
+/- 90° rotating angle with snap at 0° and stop at +/- 90° and automatic return within 30°
 Finish: chrome, stainless steel imitation



Art.	Dimensions	Glass	Load capacity	Max door width	Q.ty
DQ390	L 50 mm + 50 mm H 80 mm	6/8 mm	40 kg	850 mm	1 Pc

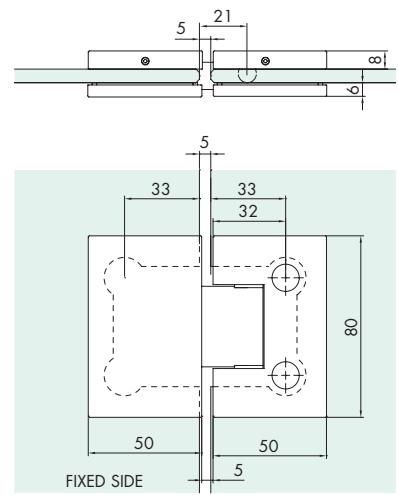
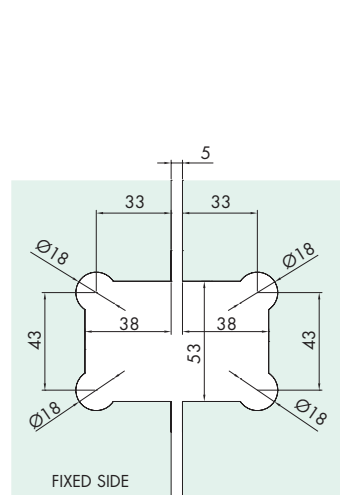
SYSTEMS FOR BALUSTRADES
SYSTEMS FOR OUTDOORS
SYSTEMS FOR GLASS PARTITIONS
STEEL SYSTEMS FOR SLIDING DOORS
ALUMINIUM SYSTEMS FOR SLIDING DOORS
SYSTEMS FOR HINGED DOORS
PULL HANDLES AND INVOIS
SYSTEMS FOR SHOWER PARTITIONS



HD SQUARE SMALL SERIES HINGES 6/8 mm

HD SQUARE SMALL SERIES ADJUSTABLE STRAIGHT HINGE FOR 6/8 mm GLASS

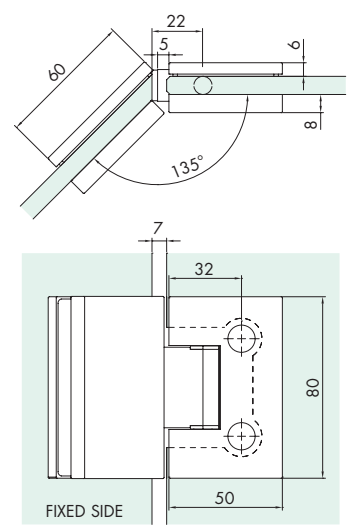
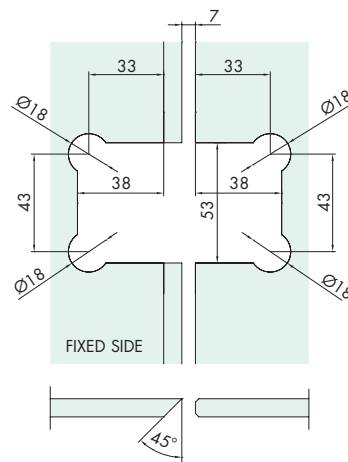
Material: brass - Main feature: no visible screws
 Other features: glass/glass 180° hinge
 Die cast body with CNC finish, remaining parts are machine produced
 Brass cover on one side to hide the screws connecting the glass panel
 +/- 10° adjustment after assembling
 4 2mm and 4 1mm black gaskets included
 Adhesive gaskets for an easy hinge positioning on the glass
+/- 90° rotating angle with snap at 0° and stop at +/- 90° and automatic return within 30°
 Finish: chrome, stainless steel imitation



Art.	Dimensions	Glass	Load capacity	Max door width	Q.ty
DQ380	L 105 H 80 mm	6/8 mm	40 kg	850 mm	1 Pc

HD SQUARE SMALL SERIES ADJUSTABLE 135° HINGE FOR 6/8 mm GLASS

Material: brass - Main feature: no visible screws
 Other features: glass/glass 135° hinge
 Die cast body with CNC finish, remaining parts are machine produced
 Brass cover on one side to hide the screws connecting the glass panel
 +/- 10° adjustment after assembling
 4 2mm and 4 1mm black gaskets included
 Adhesive gaskets for an easy hinge positioning on the glass
+/- 90° rotating angle with snap at 0° and stop at +/- 90° and automatic return within 30°
 Finish: chrome, stainless steel imitation



Art.	Dimensions	Glass	Load capacity	Max door width	Q.ty
DQ3135	L 60 mm + 50 mm H 80 mm	6/8 mm	40 kg	850 mm	1 Pc

HD SQUARE SMALL SERIES ADJUSTABLE HINGE WITH WALL PLATE STRAIGHT FOR 6/8 mm GLASS

Material: brass - Main feature: no visible screws

Other features: hinge with plate to be fixed to the wall. Die cast body with CNC finish, remaining parts are machine produced

Brass cover on one side to hide the screws connecting the glass panel

+/- 10° adjustment after assembling

Grooved wall fixing plate screwed to the hinge body size 44 x 80mm

2 2mm and 2 1mm black gaskets included

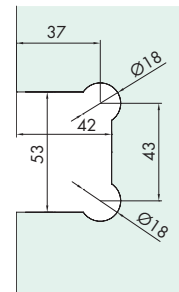
Adhesive gaskets for an easy hinge positioning on the glass

+/- 90° rotating angle with snap at 0° and stop at +/- 90° and automatic return within 30°

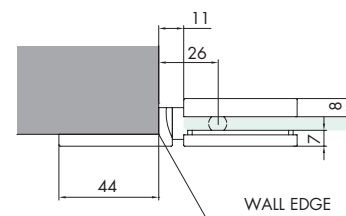
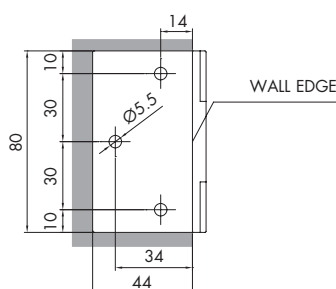
Finish: chrome, stainless steel imitation



Spare plate
Art. **DQMP6** page 673



Wall plate



Art.	Dimensions	Glass	Load capacity	Max door width	Q.ty
DQ37	L 105 mm H 80 mm	6/8 mm	40 kg	850 mm	1 Pc

HD SQUARE SMALL SERIES ADJUSTABLE 135° HINGE WITH WALL PLATE FOR 6/8 mm GLASS

Material: brass - Main feature: no visible screws

Other features: 135° hinge with plate to be fixed to the wall. Die cast body with CNC finish, remaining parts are machine produced

Brass cover on one side to hide the screws connecting the glass panel

+/- 10° adjustment after assembling

Grooved wall fixing plate screwed to the hinge body size 50 x 80mm

2 2mm and 2 1mm black gaskets included

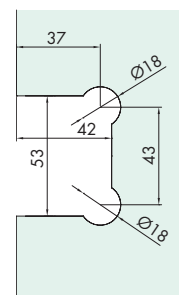
Adhesive gaskets for an easy hinge positioning on the glass

+/- 90° rotating angle with snap at 0° and stop at +/- 90° and automatic return within 30°

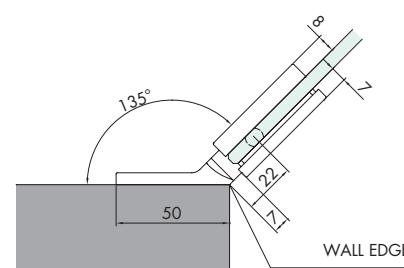
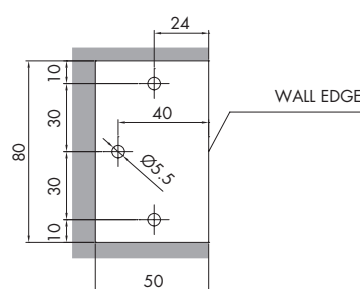
Finish: chrome, stainless steel imitation



Spare plate
Art. **DQMP6** page 673



Wall plate

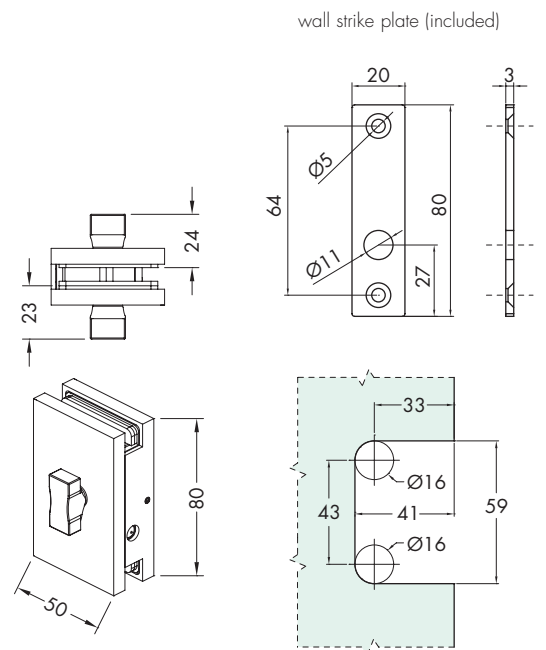


Art.	Dimensions	Glass	Load capacity	Max door width	Q.ty
DQ375	L 57+50 mm H 80 mm	6/8 mm	40 kg	850 mm	1 Pc



HD SQUARE SMALL SERIES THUMB TURN/THUMB TURN FOR 6/8 mm GLASS

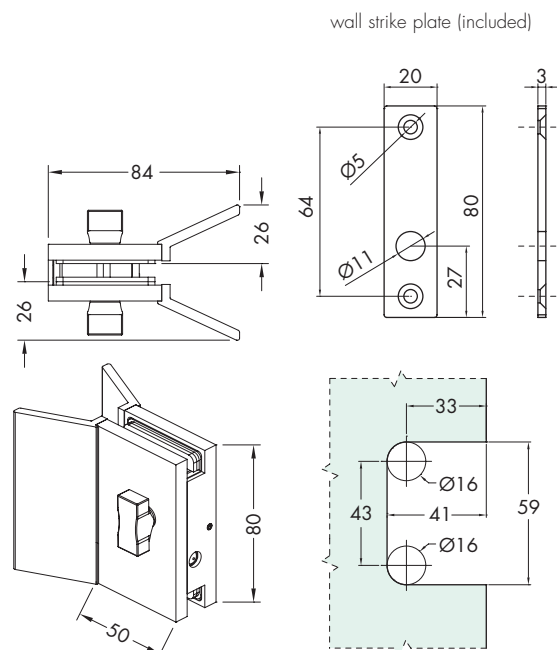
Material: brass - Main feature: no visible screws
 Other features: glass/wall lock for hinged door with thumb turn
 Die cast body with CNC finish, remaining parts are machine produced
 Brass cover on one side hiding the screws connecting the glass panel
 Right position. For left position mount the lock up-side down
 2 2mm and 2 1mm gaskets included
 Finish: chrome, stainless steel imitation



Art.	Dimensions	Pin	Glass	Q.ty
DQC35	L 50 mm H 80 mm	Ø7 L 15 mm	6/8 mm	1 Pc

HD SQUARE SERIES SMALL THUMB TURN/THUMB TURN WITH PULL HANDLE FOR 6/8 mm GLASS

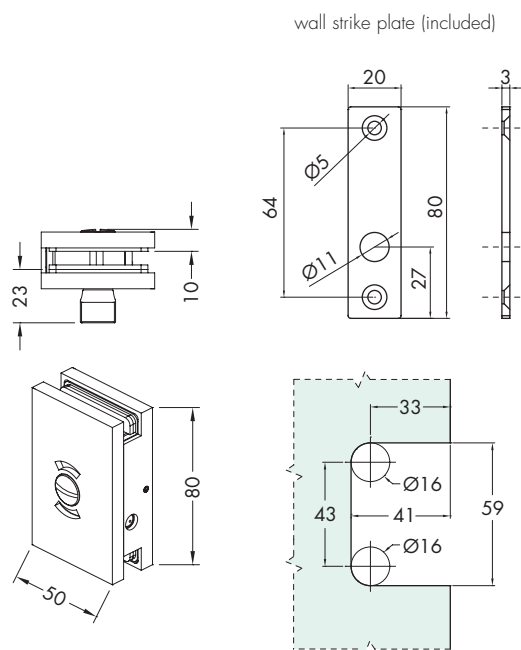
Material: brass - Main feature: no visible screws
 Other features: glass/wall lock for hinged door with thumb turn
 Die cast body with CNC finish, remaining parts are machine produced
 Brass cover on one side hiding the screws connecting the glass panel
 Right position. For left position mount the lock upside down. With pull handle
 2 2mm and 2 1mm gaskets included
 Finish: chrome, stainless steel imitation



Art.	Dimensions	Handles dimensions	Pin	Glass	Q.ty
DQC37	L 50 mm H 80 mm	H 80 mm L 34 mm P 26 mm	$\varnothing 7$ L 15 mm	6/8 mm	1 Pc

HD SQUARE SMALL SERIES PRIVACY LOCK VACANT/OCCUPIED FOR 6/8 mm GLASS

Material: brass - Main features: no visible screws
 Other features: glass/wall lock for hinged door with swiveling thumb turn
 Die cast body with CNC finish, remaining parts are machine produced
 Brass cover on one side hiding the screws connecting the glass panel
 Right position. For left position mount the lock upside down
 2 2mm and 2 1mm gaskets included
 Finish: chrome, stainless steel imitation

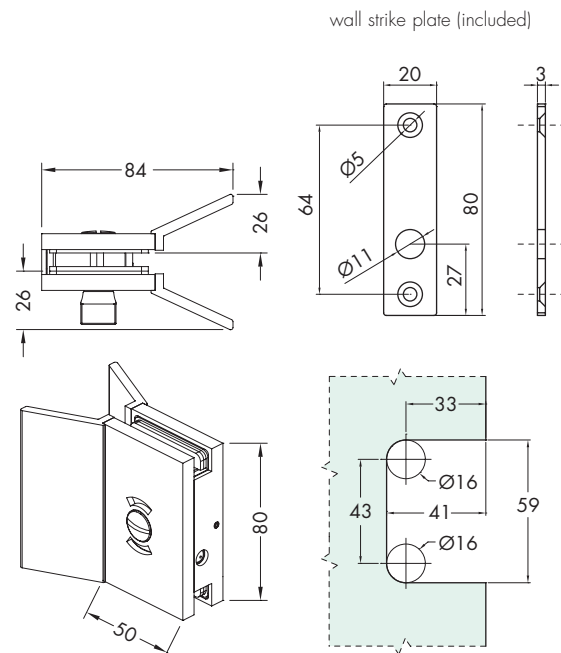


Art.	Dimensions	Pin	Glass	Q.ty
DQC38	L 50 mm H 80 mm	$\varnothing 7$ L 15 mm	6/8 mm	1 Pc

SYSTEMS FOR BRUSHRADES
 SYSTEMS FOR OUTDOORS
 SYSTEMS FOR GLASS PARTITIONS
 STEEL SYSTEMS FOR SLIDING DOORS
 ALUMINIUM SYSTEMS FOR SLIDING DOORS
 SYSTEMS FOR HINGED DOORS
 PULL HANDLES AND KNOBS
 SYSTEMS FOR SHOWER PARTITIONS

HD SQUARE SMALL SERIES PRIVACY LOCK VACANT/OCCUPIED WITH PULL HANDLE FOR 6/8 mm GLASS

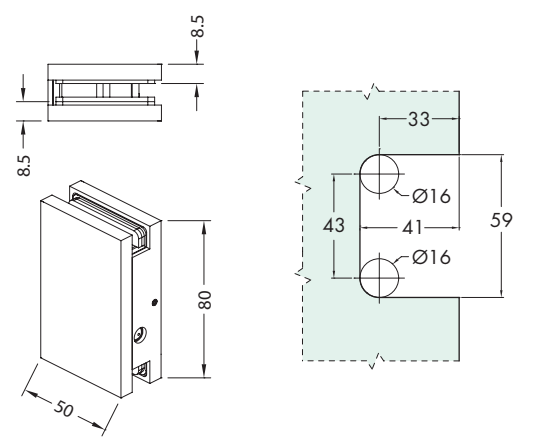
Material: brass - Main features: no visible screws
 Other features: glass/wall lock for hinged door with swiveling thumb turn
 Die cast body with CNC finish, remaining parts are machine produced
 Brass cover on one side hiding the screws connecting the glass panel
 Right position. For left position mount the lock upside down, with pull handle
 2 2mm and 2 1mm gaskets included
 Finish: chrome, stainless steel imitation



Art.	Dimensions	Handles dimensions	Pin	Glass	Q.ty
DQC39	L 50 mm H 80 mm	H 80 mm L 34 mm P 26 mm	Ø7 L 15 mm	6/8 mm	1 Pc

HD SQUARE SERIES LATCH BOX FOR 6/8 mm GLASS

Material: brass
 Features: latch box for double wing glass doors
 Suitable with items DQC35, DQC37, DQC38, DQC39
 2 2mm and 2 1mm gaskets included
 Finish: chrome, stainless steel imitation



Art.	Dimensions	Space Glass/Glass	Glass	Q.ty
DQC395	L 50 mm H 80 mm	3 mm	6/8 mm	1 Pc



HD SQUARE SERIES GLASS/GLASS 90° 80 X 40 mm CLAMP FOR 6/12mm GLASS

Material: brass

Main feature: no visible screws

Other features: glass/glass 90° clamp for large dimension glasses

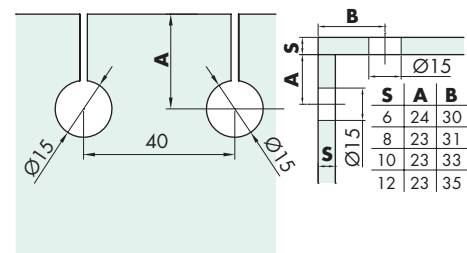
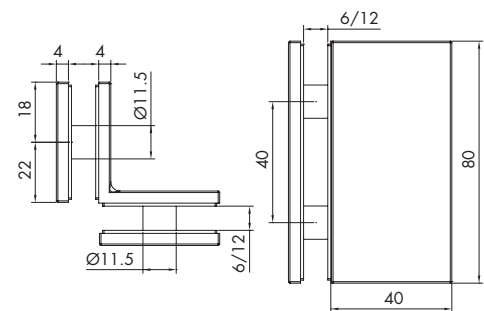
Included are 4 2mm gaskets, 4 1mm gaskets and 4+4 M5 screws in two lengths in order to clamp thicknesses from 6 through 12mm

Once the clamp has been positioned and the screws are tightened, apply the brass plates with bi-adhesive in order to cover the screws.

Finish: chrome, stainless steel imitation



- REGISTERED DESIGN IN THE EUROPEAN UNION -



GLASS CUT OUT

Art	Dimensions	Glass hole	Glass	Q.ty
DQM07	L 40 x 40 mm H 80 x 80 mm	15 mm	6/12 mm	1 Pc

SYSTEMS FOR BALUSTRADES
 SYSTEMS FOR OUTDOORS
 SYSTEMS FOR GLASS PARTITIONS
 STEEL SYSTEMS FOR SLIDING DOORS
 ALUMINIUM SYSTEMS FOR SLIDING DOORS
 SYSTEMS FOR HINGED DOORS
 PULL HANDLES AND INVOIS
 SYSTEMS FOR SHOWER PARTITIONS



HD SQUARE SERIES CLAMPS 6/12 MM

HD SQUARE SERIES WALL/GLASS 80 X 50 mm CLAMP FOR 6/12mm GLASS

Material: brass

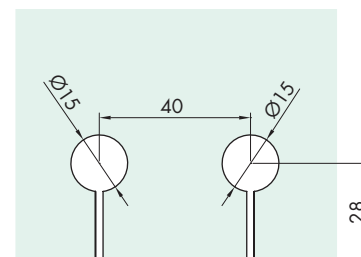
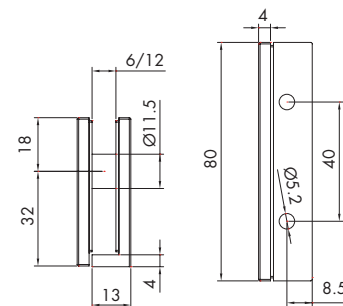
Main feature: no visible screws

Other features: wall/glass with 2 fixing spots for large dimension glasses

Included are 2 2mm gaskets, 2 1mm gaskets and 2+2 M5 screws in two lengths in order to clamp thicknesses form 6 through 12mm

Once the clamp has been positioned and the screws are tightened, apply the brass plates with bi-adhesive in order to cover the screws.

Finish: chrome, stainless steel imitation



GLASS CUT OUT

Art	Dimensions	Glass hole	Glass	Q.ty
DQM09	L 80 mm H 50 mm	15 mm	6/12 mm	1 Pc

HD SQUARE SERIES WALL/GLASS 80 X 28 mm CLAMP WITH EYELETS FOR 6/12mm GLASS

Material: brass

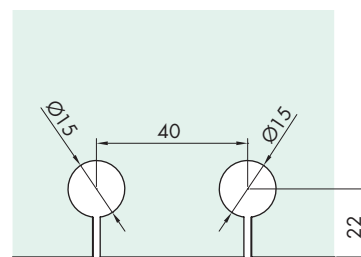
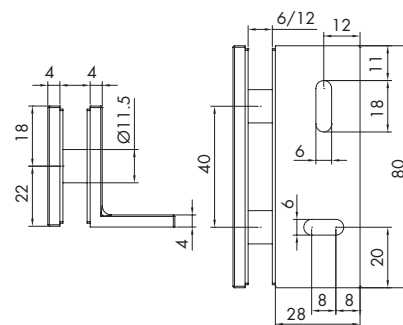
Main feature: no visible screws

Other features: wall/glass with 28mm tab for large dimension glasses. Eyelets for easy adjustment.

Included are 2 2mm gaskets, 2 1mm gaskets and 2+2 M5 screws in two lengths in order to clamp thicknesses form 6 through 12mm

Once the clamp has been positioned and the screws are tightened, apply the brass plates with bi-adhesive in order to cover the screws.

Finish: chrome, stainless steel imitation



GLASS CUT OUT

Art	Dimensions	Glass hole	Glass	Q.ty
DQM11	L 80 mm H 40 mm P 28 mm	15 mm	6/12 mm	1 Pc

HD SQUARE SERIES WALL/GLASS CLAMP 1 FOR 6/12 mm GLASS

Material: brass

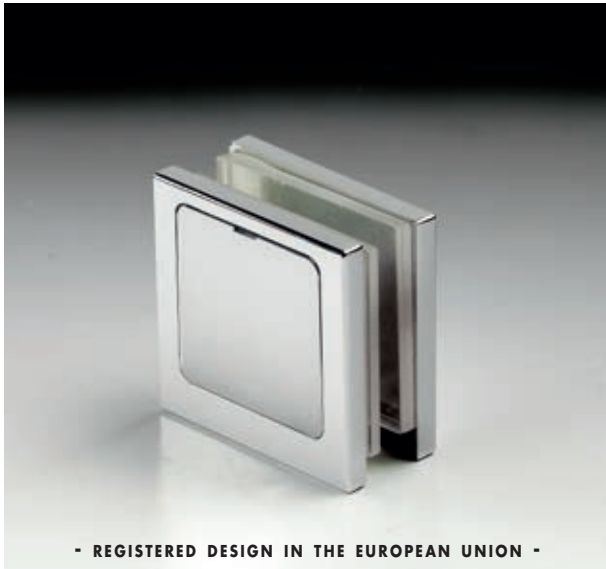
Main feature: no visible screws

Features: wall to glass fixing clamp with a single fixing spot

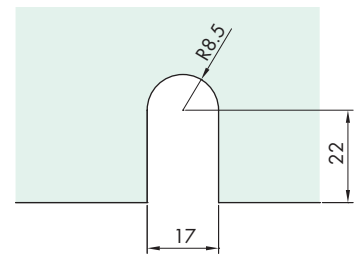
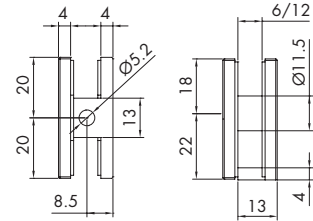
Included are 2 2mm gaskets, 2 1mm gaskets and 1+1 M5 screws in two lengths in order to clamp thicknesses form 6 through 12mm

Once the clamp has been positioned and the screws are tightened, apply the brass plates with bi-adhesive in order to cover the screws.

Finish: chrome, stainless steel imitation



- REGISTERED DESIGN IN THE EUROPEAN UNION -



GLASS CUT OUT

Art	Dimensions	Tacca vetro	Glass	Q.ty
DQM41	L 40 mm H 40 mm	17 mm aperta	6/12 mm	1 Pc

HD SQUARE SERIES WALL /GLASS CLAMP 2 FOR 6/12 mm GLASS

Material: brass

Main feature: no visible screws

Features: wall to glass fixing clamp with a single fixing spot

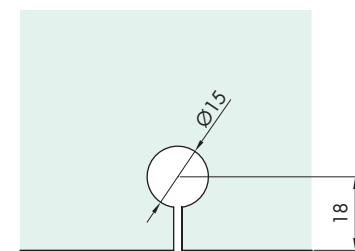
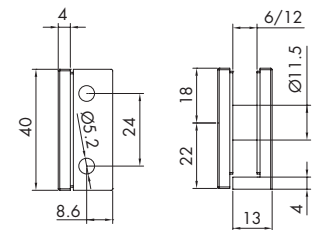
Included are 2 2mm gaskets, 2 1mm gaskets and 1+1 M5 screws in two length in order to clamp thicknesses form 6 through 12mm

Once the clamp has been positioned and the screws are tightened, apply the brass plates with bi-adhesive in order to cover the screws.

Finish: chrome, stainless steel imitation



- REGISTERED DESIGN IN THE EUROPEAN UNION -

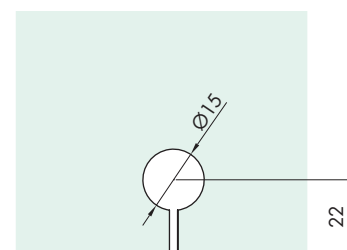
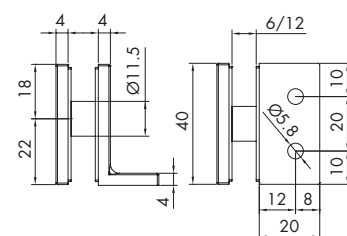
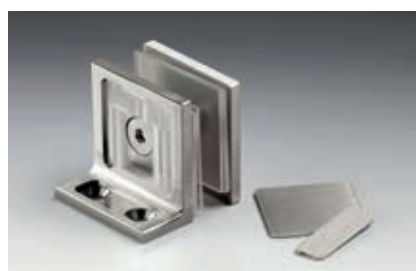


GLASS CUT OUT

Art	Dimensions	Glass hole	Glass	Q.ty
DQM43	L 40 mm H 40 mm	15 mm	6/12 mm	1 Pc

HD SQUARE SERIES WALL/GLASS 40 X 20 mm CLAMP FOR 6/12mm GLASS

Material: brass
 Main feature: no visible screws
 Other features: wall/glass with 20mm tab
 Included are 2 2mm gaskets, 2 1mm gaskets and 1+1 M5 screws in two lengths in order to clamp thicknesses form 6 through 12mm
 Once the clamp has been positioned and the screws are tightened, apply the brass plates with bi-adhesive in order to cover the screws.
 Finish: chrome, stainless steel imitation

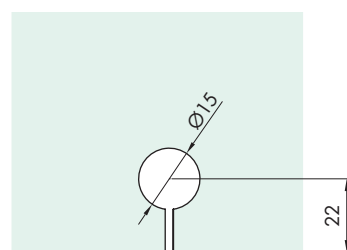
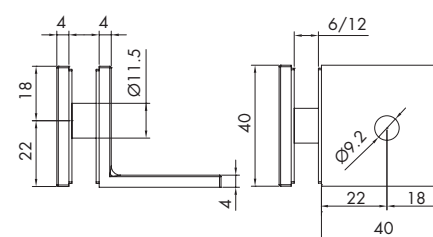
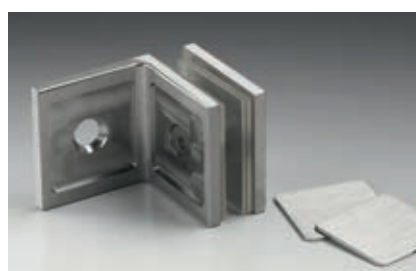


GLASS CUT OUT

Art	Dimensions	Glass hole	Glass	Q.ty
DQM57	L 40 mm H 40 mm P 20 mm	15 mm	6/12 mm	1 Pc

HD SQUARE SERIES WALL/GLASS 40 X 40 mm CLAMP FOR 6/12mm GLASS

Material: bras
 Main feature: no visible screws
 Other features: wall/glass with 40mm
 Included are 2 2mm gaskets, 2 1mm gaskets and 1+1 M5 screws in two lengths in order to clamp thicknesses form 6 through 12mm
 Once the clamp has been positioned and the screws are tightened, apply the brass plates with bi-adhesive in order to cover the screws.
 Finish: chrome, stainless steel imitation



GLASS CUT OUT

Art	Dimensions	Glass hole	Glass	Q.ty
DQM52	L 40 mm H 40 mm P 40 mm	15 mm	6/12 mm	1 Pc

HD SQUARE SERIES GLASS/GLASS STRAIGHT CLAMP FOR 6/12mm GLASS

Material: brass

Main feature: no visible screws

Other features: glass/glass straight

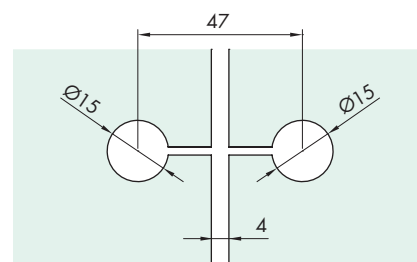
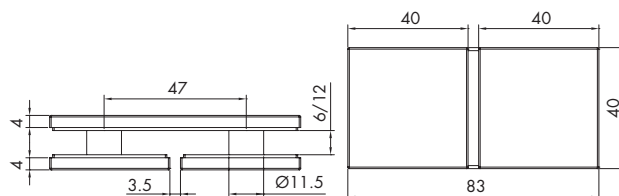
Included are 3 2mm gaskets, 3 1mm gaskets and 2+2 M5 screws in two lengths in order to clamp thicknesses from 6 through 12mm

Once the clamp has been positioned and the screws are tightened, apply the brass plates with bi-adhesive in order to cover the screws.

Finish: chrome, stainless steel imitation



- REGISTERED DESIGN IN THE EUROPEAN UNION -



GLASS CUT OUT

Art	Dimensions	Glass hole	Glass	Q.ty
DQM45	L 83 mm H 40 mm	15 mm	6/12 mm	1 Pc

HD SQUARE SERIES GLASS/GLASS 90° 40 X 40mm CLAMP FOR 6/12mm GLASS

Material: brass

Main feature: no visible screws

Other features: glass/glass 90° clamp

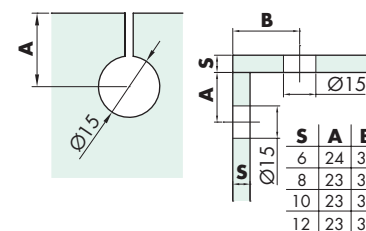
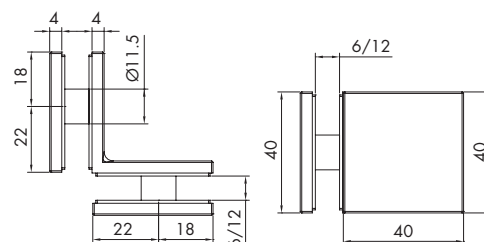
Included are 4 2mm gaskets, 4 1mm gaskets and 2+2 M5 screws in two lengths in order to clamp thicknesses from 6 through 12mm

Once the clamp has been positioned and the screws are tightened, apply the brass plates with bi-adhesive in order to cover the screws.

Finish: chrome, stainless steel imitation



- REGISTERED DESIGN IN THE EUROPEAN UNION -



GLASS CUT OUT

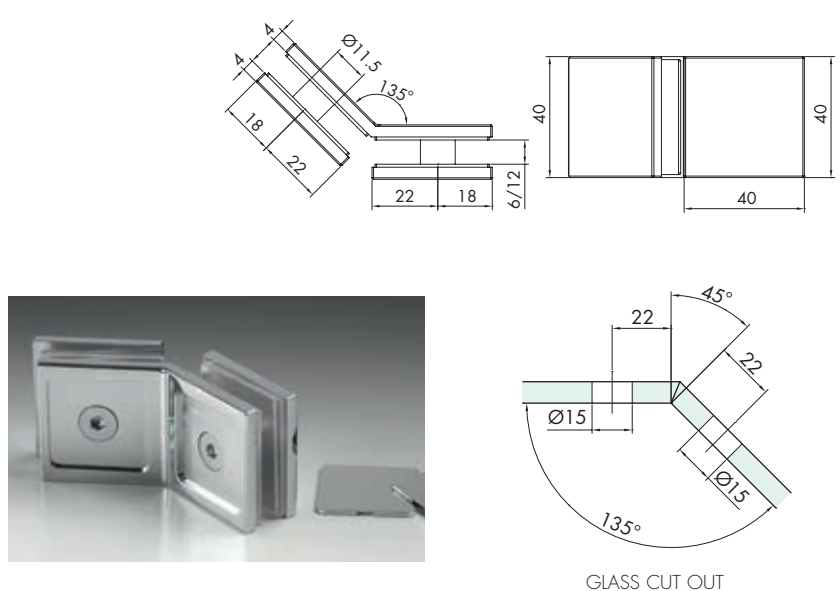
Art	Dimensions	Glass hole	Glass	Q.ty
DQM47	L 40 x 40 mm H 40 mm	15 mm	6/12 mm	1 Pc

HD SQUARE SERIES GLASS/GLASS 135° 40 X 40mm CLAMP FOR 6/12mm GLASS

Material: brass
 Main feature: no visible screws
 Other features: glass/glass 135° clamp
 Included are 4 2mm gaskets, 4 1mm gaskets and 2+2 M5 screws in two lengths in order to clamp thicknesses form 6 through 12mm
 Once the clamp has been positioned and the screws are tightened, apply the brass plates with bi-adhesive in order to cover the screws.
 Finish: chrome, stainless steel imitation



- REGISTERED DESIGN IN THE EUROPEAN UNION -



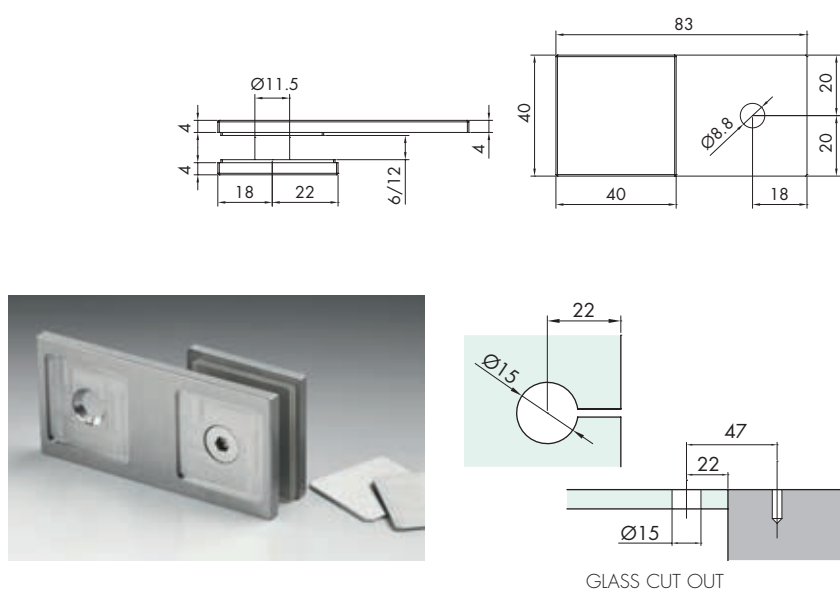
Art	Dimensions	Glass hole	Glass	Q.ty
DQM49	L 40 x 40 mm H 40 mm	15 mm	6/12 mm	1 Pc

HD SQUARE SERIES WALL/GLASS STRAIGHT CLAMP FOR 6/12mm GLASS

Material: brass
 Main feature: no visible screws
 Other features: wall/glass straight with 43mm tab. In between space wall/glass 3mm advised
 Included are 2 2mm gaskets, 2 1mm gaskets and 1+1 M5 screws in various length in order to clamp thicknesses form 6 through 12mm
 Once the clamp has been positioned and the screws are tightened, apply the brass plates with bi-adhesive in order to cover the screws.
 Finish: chrome, stainless steel imitation



- REGISTERED DESIGN IN THE EUROPEAN UNION -



Art	Dimensions	Glass hole	Glass	Q.ty
DQM50	L 83 mm H 40 mm	15 mm	6/12 mm	1 Pc

HD SQUARE SERIES WALL/GLASS 135° CLAMP FOR 6/12mm GLASS

Material: brass

Main feature: no visible screws

Other features: wall/glass with 135°, 40mm tab

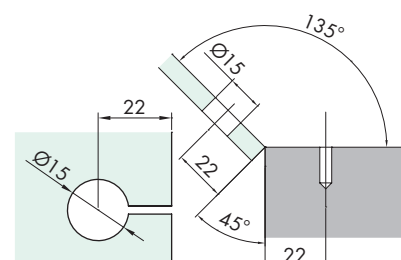
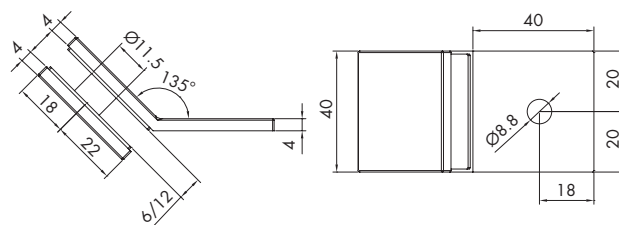
Included are 2 2mm gaskets, 2 1mm gaskets and 1+1 M5 screws in two lengths in order to clamp thicknesses from 6 through 12mm

Once the clamp has been positioned and the screws are tightened, apply the brass plates with bi-adhesive in order to cover the screws.

Finish: chrome, stainless steel imitation



- REGISTERED DESIGN IN THE EUROPEAN UNION -



GLASS CUT OUT

Art	Dimensions	Glass hole	Glass	Q.ty
DQM54	L 40 x 40 mm H 40 mm	15 mm	6/12 mm	1 Pc

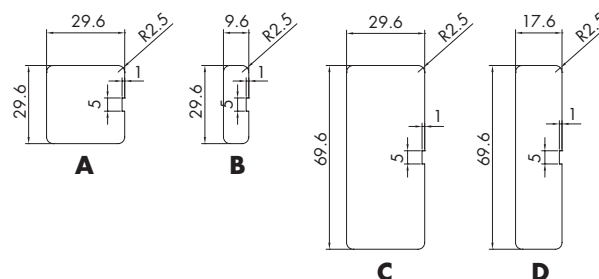


BI-ADHESIVE REPLACEMENT PLATE

Material: brass

Brass plate with bi-adhesive to cover the screw heads

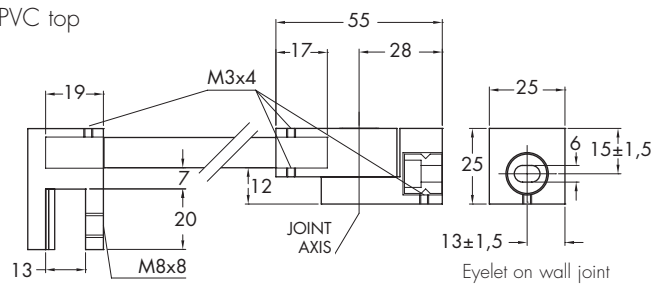
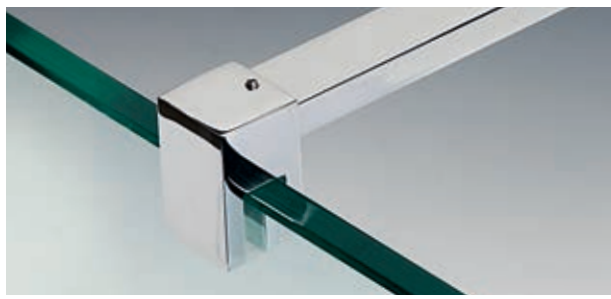
Finish: chrome, stainless steel imitation



Art.	Dimensions	Q.ty
DQMP2	A 29.6 x 29.6 mm	1 Pc
DQMP4	B 29.6 x 9.6 mm	1 Pc
DQMP6	C 69.6 x 29.6 mm	1 Pc
DQMP7	D 69.6 x 17.6 mm	1 Pc

HD SQUARE SERIES WALL/GLASS SAFETY BAR WITH WALL JOINT

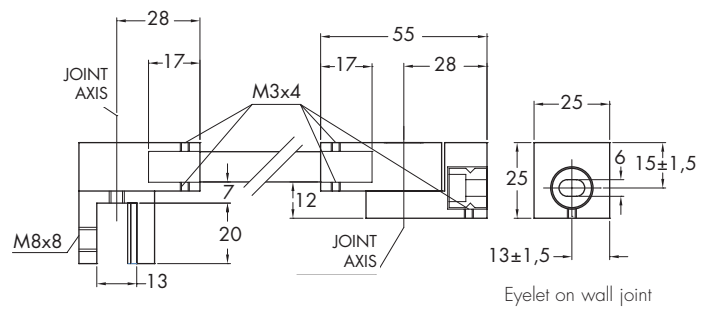
Material: brass
 Features: square shaped stabilizer safety bar
 Articulated wall connection and fixed glass connection
 The wall fixing clamp operates by means of 2 pointed dowels in AISI 304 stainless steel
 The glass fixing clamps operates by means of one brass M8 dowel with PVC top
 Finish: chrome, stainless steel imitation



Art.	Length Tube	Total Length Glass	Glass	Q.ty
DQA500	500 mm	510 + 28 mm	8/12 mm	1 Pc
DQA1000	1.000 mm	1.010 + 28 mm	8/12 mm	1 Pc
DQA1500	1.500 mm	1.510 + 28 mm	8/12 mm	1 Pc

HD SQUARE SERIES WALL/GLASS SAFETY BAR WITH DOUBLE JOINT

Material: brass
 Features: square shaped stabilizer safety bar
 Wall and glass articulated connection
 The wall fixing clamp operates by means of 2 pointed dowels in AISI 304 stainless steel
 The glass fixing clamps operates by means of one brass M8 dowel with PVC top
 Finish: chrome, stainless steel imitation



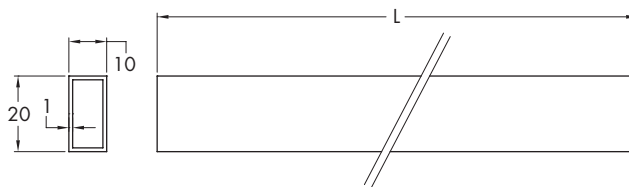
Art.	Length Tube	Length	Glass	Q.ty
DQA55	500 mm	521 + 28 mm	8/12 mm	1 Pc
DQA65	1.000 mm	1.021 + 28 mm	8/12 mm	1 Pc
DQA75	1.500 mm	1.521 + 28 mm	8/12 mm	1 Pc

HD SQUARE SERIES RECTANGULAR BAR

Material: brass

Features: rectangular section bar in various sizes, 1mm wall thickness

Finish: chrome, stainless steel imitation



Art.	Length	Q.ty
DQA05	500 mm	1 Pc
DQA06	1.000 mm	1 Pc
DQA08	1.500 mm	1 Pc



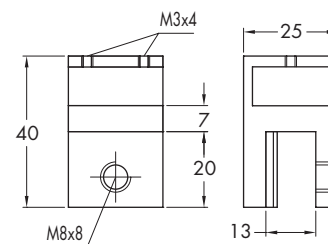
HD SQUARE SERIES STRAIGHT CONNECTION WITH FIXED CLAMP

Material: brass

Features: adjustable clamp on aligned bar

The anchorage of the clamp and the wall connection are fixed to the bar by means of 2 pointed dowels in AISI 304 stainless steel. The clamp is fixed to the glass panel by means of a brass M8 dowel with soft PVC top

Finish: chrome, stainless steel imitation



Art.	Dimensions	Glass	Q.ty
DQA83	L 25+25 mm H 40 mm	8/12 mm	1 Pc



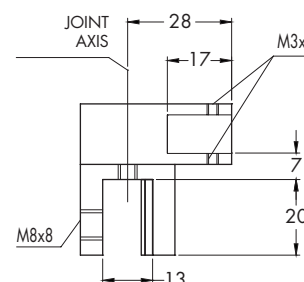
HD SQUARE SERIES GLASS CONNECTION WITH SWIVELING CLAMP

Material: brass

Features: swiveling clamp positioned at the end of the bar

The anchorage of the clamp and the wall connection are fixed to the bar by means of 2 pointed dowels in AISI 304 stainless steel. The clamp is fixed to the glass panel by means of a brass M8 dowel with soft PVC top

Finish: chrome, stainless steel imitation



Art.	Dimensions	Glass	Q.ty
DQA85	L 40 mm H 40 mm	8/12 mm	1 Pc

SYSTEMS FOR BALUSTRADES
SYSTEMS FOR OUTDOORS
SYSTEMS FOR GLASS PARTITIONS
STEEL SYSTEMS FOR SLIDING DOORS
ALUMINIUM SYSTEMS FOR SLIDING DOORS
SYSTEMS FOR HINGED DOORS
PULL HANDLES AND INVOBS
SYSTEMS FOR SHOWER PARTITIONS



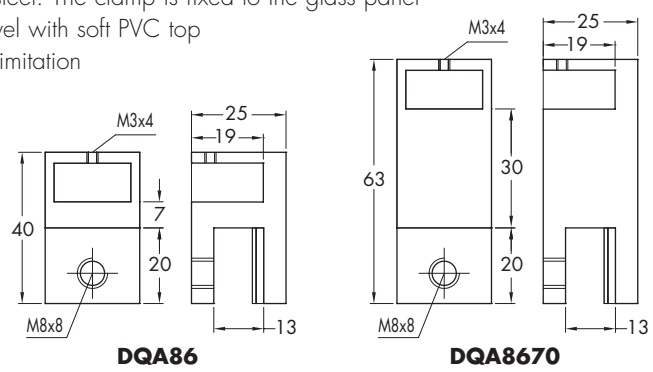
SERIES HD SQUARE SAFETY BAR 8/10/12 mm



- REGISTERED DESIGN IN THE EUROPEAN UNION -

HD SQUARE SERIES GLASS CONNECTOR WITH BLIND HOLE AND FIXED CLAMP

Material: brass
 Features: fixed clamp positioned at the end of the bar
 The anchorage of the clamp and the wall connection are fixed to the bar by means of 2 pointed dowels in AISI 304 stainless steel. The clamp is fixed to the glass panel by means of a brass M8 dowel with soft PVC top
 Finish: chrome, stainless steel imitation



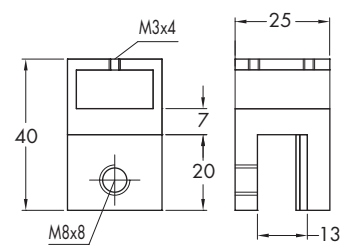
Art.	Dimensions	Glass	Q.ty
DQA86	L 25+25 mm H 40 mm	8/12 mm	1 Stck.
DQA8670	L 25+25 mm H 63 mm	8/12 mm	1 Stck.



- REGISTERED DESIGN IN THE EUROPEAN UNION -

HD SQUARE SERIES 90° GLASS CONNECTOR WITH THROUGH HOLE AND FIXED CLAMP

Material: brass
 Features: fixed clamp positioned at the end of the bar
 The anchorage of the clamp and the wall connection are fixed to the bar by means of 2 pointed dowels in AISI 304 stainless steel. The clamp is fixed to the glass panel by means of a brass M8 dowel with soft PVC top
 Finish: chrome, stainless steel imitation



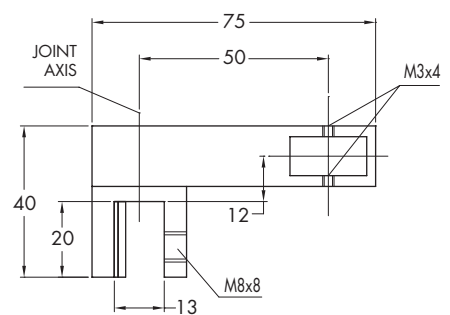
Art.	Dimensions	Glass	Q.ty
DQA87	L 25+25 mm H 40 mm	8/12 mm	1 Pc



- REGISTERED DESIGN IN THE EUROPEAN UNION -

HD SQUARE SERIES EXTENSION WITH SIDE THROUGH HOLE WITH ARTICULATED CLAMPS

Material: brass
 Features: the clamp can be positioned spaced and on the side of the bar. Once the adjustment is set, tighten the screw to fix the clamp on the bar. The anchorage of the clamp and the wall connection are fixed by means of 2 pointed dowels in AISI 304 stainless steel. The clamp is fixed to the glass by means of a brass M8 dowel with soft PVC top.
 Finish: chrome, stainless steel imitation



Art.	Dimensions	Glass	Q.ty
DQA90	L 75 mm H 40 mm	8/12 mm	1 Pc

HD SQUARE SERIES FITTING FOR FIXED GLASS

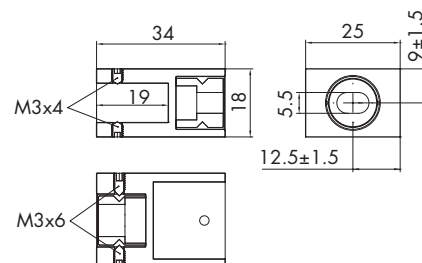
Material: brass

Features: fitting for fixed glass fixing on the bar through 2 AISI 304 steel screws

Finish: chrome, stainless steel imitation



- REGISTERED DESIGN IN THE EUROPEAN UNION -



Art.	Dimensions
DQA93	L 25+34 mm H 18 mm

Q.ty
1 Pc

HD SQUARE SERIES ARTICULATED WALL CONNECTION

Material: brass

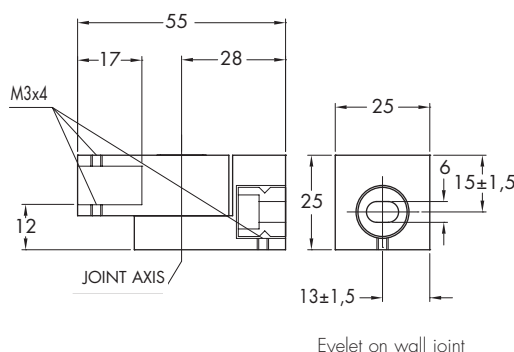
Features: articulated wall connection. Once the adjustment is set

Tighten the screws to fix the bar. The bar is anchored to the wall connection by means of 2 pointed dowels in AISI 304 stainless steel

Finish: chrome, stainless steel imitation



- REGISTERED DESIGN IN THE EUROPEAN UNION -



Art.	Dimensions
DQA88	L 55 mm H 25 mm

Glass
8/12 mm

Q.ty
1 Pc

HD SQUARE SERIES ARTICULATED GLASS CONNECTION

Material: brass

Features: articulated glass connection. Once the adjustment is set tighten the screw to fix the bar.

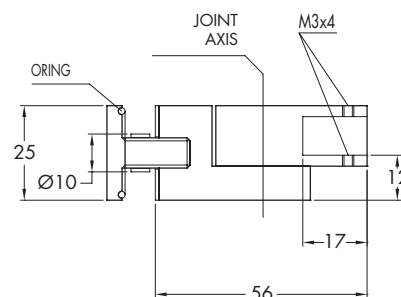
For the glass anchoring operate on the dedicated screw. The oring allows a correct positioning.

The connection is anchored to the bar by means of 2 pointed dowels in AISI 304 stainless steel.

Finish: chrome, stainless steel imitation



- REGISTERED DESIGN IN THE EUROPEAN UNION -



Art.	Dimensions
DQA89	L 56 mm H 25 mm

Glass Hole
Ø 14 mm

Glass
8/12 mm

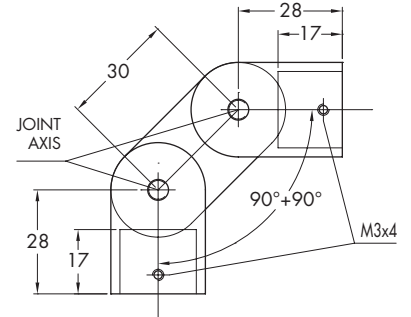
Q.ty
1 Pc



- REGISTERED DESIGN IN THE EUROPEAN UNION -

HD SQUARE SERIES ARTICULATE CONNECTION

Material: brass
Features: articulated connection to connect rectangular bar. Suitable to create various angles. Once the adjustment is set, tighten the screws to fix the bars. The connections are anchored to the bars by means of 4 pointed dowels in AISI 304 stainless steel
Finish: chrome, stainless steel imitation

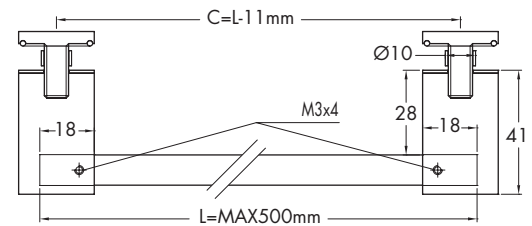


Art.	Dimensions	Glass	Q.ty
DQA99	L 28+30+28 mm H 23 mm	8/12 mm	1 Pc



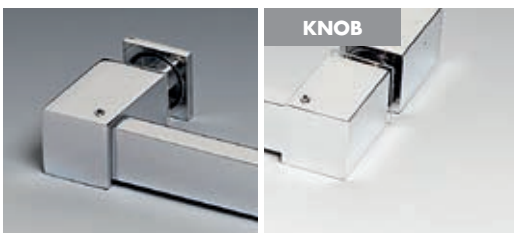
HD SQUARE SERIES TOWEL HOLDER 500

Material: brass
Features: towel holder bar.
The connection are anchored to the bar by means of 4 pointed dowels in AISI 304 stainless steel. To fix the glass operate on the dedicated screws. The o-ring will allow a correct positioning
Finish: chrome, stainless steel imitation



- REGISTERED DESIGN IN THE EUROPEAN UNION -

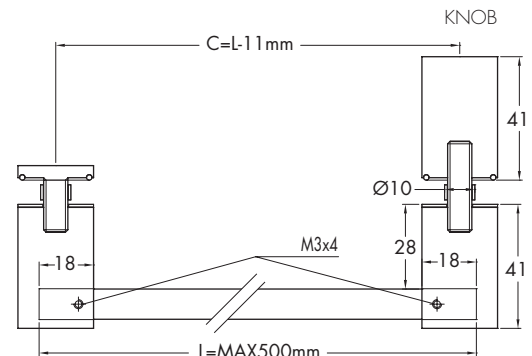
Art.	Dimensions	Glass hole	Glass	Q.ty
DQP365	L 514 mm H 25 mm P 41 mm	Ø 14 mm	8/12 mm	1 Pc



KNOB

HD SQUARE SERIES TOWEL HOLDER WITH KNOB

Material: brass
Features: towel holder bar with knobs
The connection are anchored to the bar by means of 4 pointed dowels in AISI 304 stainless steel. To fix the glass operate on the dedicated screws. The o-ring will allow a correct positioning
Finish: chrome, stainless steel imitation



- REGISTERED DESIGN IN THE EUROPEAN UNION -

Art.	Dimensions	Glass hole	Glass	Q.ty
DQP375	L 514 mm H 25 mm P 41 mm	Ø 14 mm	8/12 mm	1 Pc



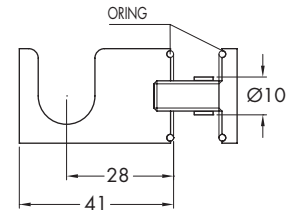
HD SQUARE SERIES GLASS CONNECTED CLOTHES HANGER

Material: brass

Features: clothes hanger. To fix the glass operate on the dedicated screws.

The o-ring will allow a correct positioning

Finish: chrome, stainless steel imitation



- REGISTERED DESIGN IN THE EUROPEAN UNION -

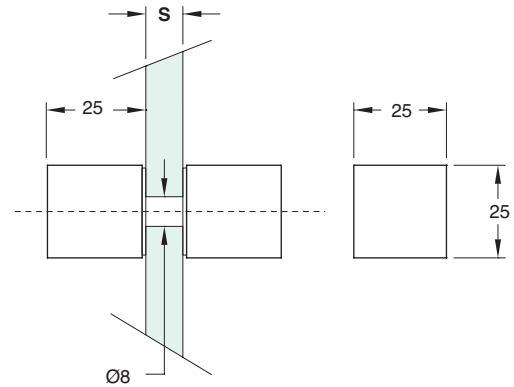
Art.	Dimensions	Glass hole	Glass	Q.ty
DQP385	L 41 mm H 25 mm	Ø 14 mm	8/12 mm	1 Pc



PAIR OF BRASS KNOBS 25 X 25 X 25

Material: brass, CNC machined

Finish: chrome, stainless steel imitation



- REGISTERED DESIGN IN THE EUROPEAN UNION -

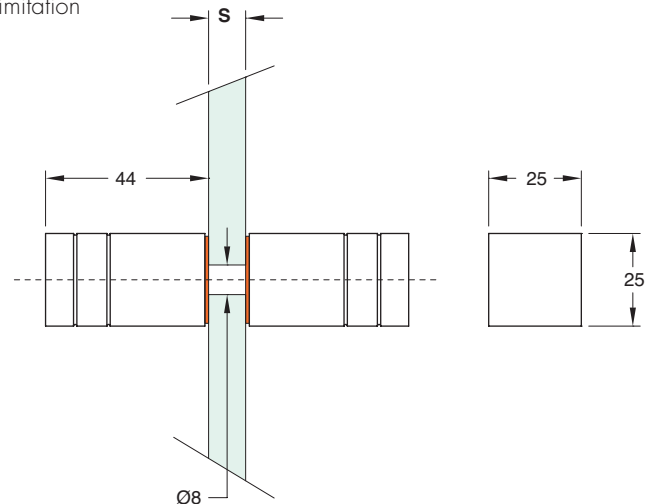
Art	Dimensions	Foro minimo	Glass	Vite	Q.ty
DQP2525	25 x 25 + 25 mm	8 mm	8/15	M6 L=35 mm	1 Pair



PAIR OF BRASS KNOBS 25 X 25 X 44

Material: brass, CNC machined

Finish: chrome, stainless steel imitation



Art	Dimensions	Foro minimo	Glass	Vite	Q.ty
POM2525	25 x 25 + 44 mm	8 mm	8/15	M6 L=35 mm	1 Pair

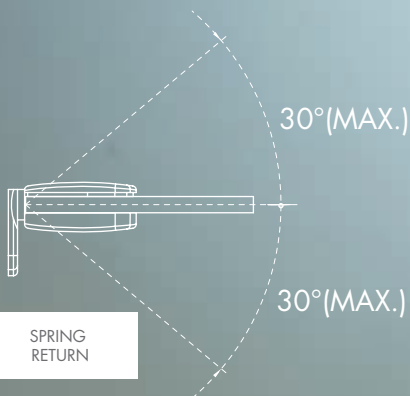


Tests performed according to **UNI EN 14428:2008:**

ENDURANCE TEST – 20,000 opening/closing cycles

WATER RETENTION – Water jet at 38°C in 90° direction for 1 minute with no seepage

CORROSION RESISTANCE TEST – Conditioning in salty mist (5% solution according to ISO 9227:2006) for 168 h with no appearance of rust



SYSTEMS FOR BALUSTRADES
SYSTEMS FOR OUTDOORS
SYSTEMS FOR GLASS PARTITIONS
STEEL SYSTEMS FOR SLIDING DOORS
ALUMINIUM SYSTEMS FOR SLIDING DOORS
SYSTEMS FOR HINGED DOORS
PULL HANDLES AND KNOBS
SYSTEMS FOR SHOWER PARTITIONS

HD SERIES LINE OF ADJUSTABLE HINGES WITH COVER

Material: brass

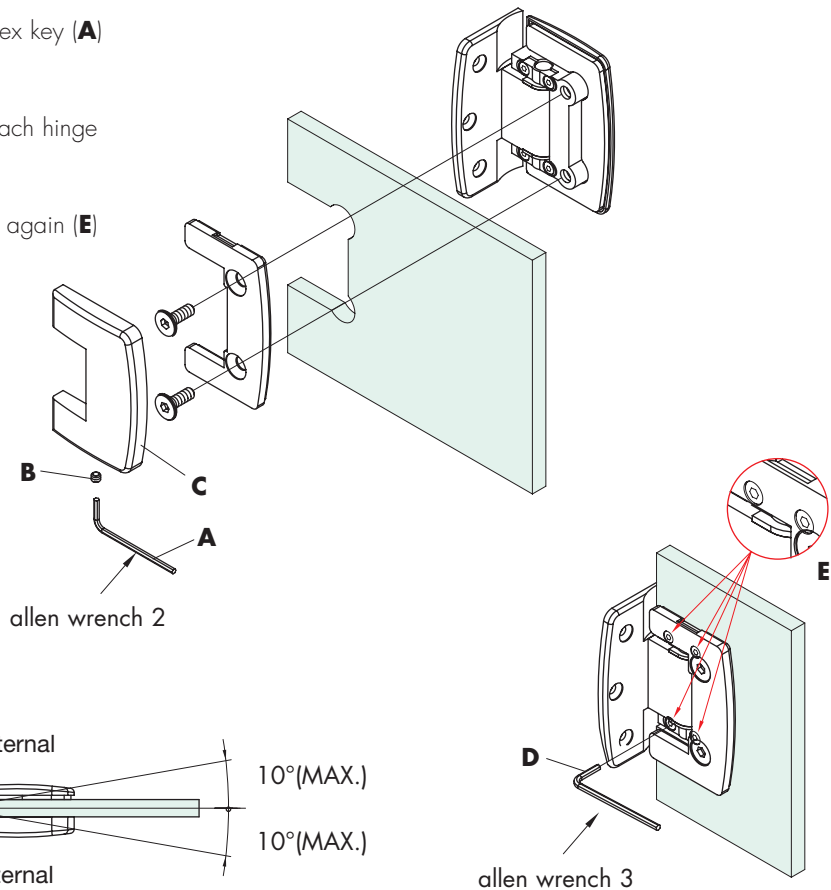
Main features:

- Brass cover only on one side to hide the screws that fix the hinge to the glass panel
- Correction of door angle position by $\pm 10^\circ$ when mounting is complete
- **Rotation angle + 90° and - 90° with snap at 0° and stop at -90° and + 90°**
- **Adhesive gaskets to facilitate positioning the hinge on the glass panel**



INSTRUCTIONS FOR PROPER ADJUSTING:

1. Remove the cover (C) on both hinges by inserting the M2 hex key (A) to unscrew the grub screw (B)
2. Use the M3 hex key (D) to remove the four screws (E) on each hinge and adjust the glass
3. Once the glass has been positioned tighten the four screws again (E) on both hinges
4. Insert the covers (C)
5. Tighten the grub screw (B)



SYSTEMS FOR BRUSHRAILS
SYSTEMS FOR OUTDOORS
SYSTEMS FOR GLASS PARTITIONS
STEEL SYSTEMS FOR SLIDING DOORS
ALUMINIUM SYSTEMS FOR SLIDING DOORS
SYSTEMS FOR HINGED DOORS
PULL HANDLES AND KNOBS
SYSTEMS FOR SHOWER PARTITIONS



HD SERIES HINGE WITH ADJUSTABLE SIDE COVER FOR GLASS 8/10 mm

Material: brass

Features: glass/wall hinge with side plate.

CNC finished cast hinge body, mechanically processed remaining parts.

Brass cover only on one side to hide the screws that fix the hinge to the glass panel.

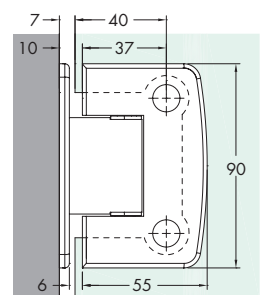
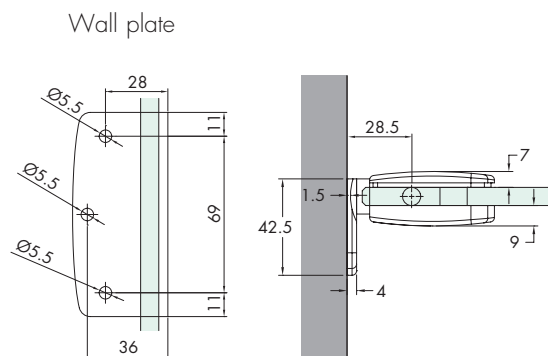
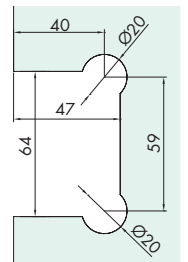
Correction of door angle position by $\pm 10^\circ$ when mounting is complete.

Wall anchoring plate, with groove, screwed to the hinge body 42.5 mm x 90 mm. Complete with 2 x 2 mm black gaskets.

Adhesive gaskets to facilitate positioning the hinge on the glass panel.

Rotation angle + 90° and - 90°. With snap at 0° and stop -90° and +90°

Finish: chrome, imitation stainless steel.



Art.	Dimensions	Glass	Load capacity	Max door width	Q.ty
CHD20	L 55 mm H 90 mm	8/10 mm	50 kg	900 mm	1 Pc

HD SERIES HINGE WITH ADJUSTABLE CENTRAL COVER FOR GLASS 8/10 mm

Material: brass

Features: glass/wall hinge with central plate.

CNC finished cast hinge body, mechanically processed remaining parts.

Brass cover only on one side to hide the screws that fix the hinge to the glass panel.

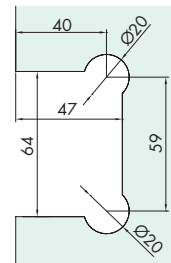
Correction of door angle position by $\pm 10^\circ$ when mounting is complete.

Wall anchoring plate, with groove, screwed to the hinge body 54 mm x 90 mm. Complete with 2 x 2 mm black gaskets.

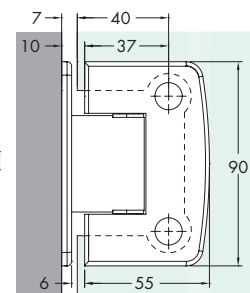
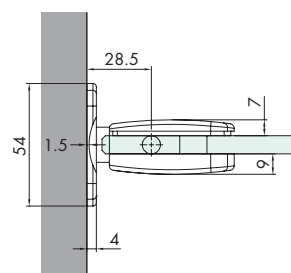
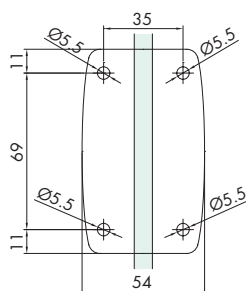
Adhesive gaskets to facilitate positioning the hinge on the glass panel.

Rotation angle + 90° and - 90°. With snap at 0° and stop -90° and +90°

Finish: chrome, imitation stainless steel



Wall plate



Art.	Dimensions	Glass	Load capacity	Max door width	Q.ty
CHD22	L 55 mm H 90 mm	8/10 mm	50 kg	900 mm	1 Pc

HD SERIES HINGE WITH ADJUSTABLE 90° COVER FOR GLASS 8/10 mm

Material: brass

Features: 90° glass/glass hinge

CNC finished cast hinge body, mechanically processed remaining parts.

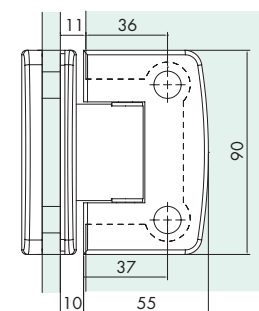
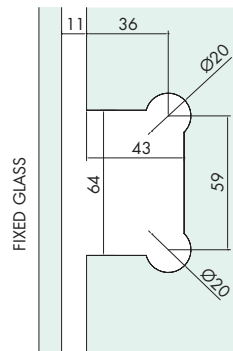
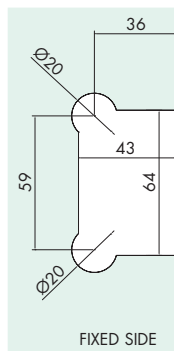
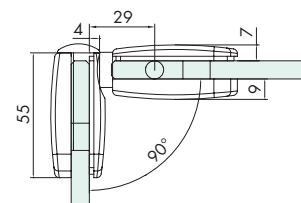
Brass covers only on one side to hide the screws that fix the hinge to the glass panel.

Correction of door angle position by $\pm 10^\circ$ when mounting is complete. Complete with 4 x 2 mm black gaskets.

Adhesive gaskets to facilitate positioning the hinge on the glass panel.

Rotation angle + 90° and - 90°. With snap at 0° and stop -90° and +90°

Finish: chrome, imitation stainless steel

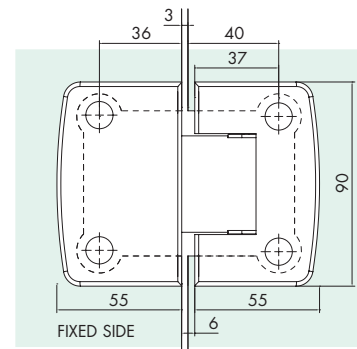
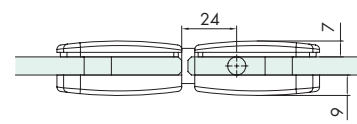
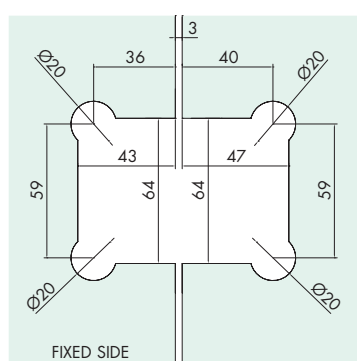


Art.	Dimensions	Glass	Load capacity	Max door width	Q.ty
CHD290	L 55 mm + 55 mm H 90 mm	8/10 mm	50 kg	900 mm	1 Pc

HD SERIES HINGE WITH ADJUSTABLE IN-LINE COVER FOR GLASS 8/10 mm

Material: brass
 Features: in-line glass/glass hinge
 CNC finished cast hinge body, mechanically processed remaining parts.
 Brass covers only on one side to hide the screws that fix the hinge to the glass panel.
 Correction of door angle position by $\pm 10^\circ$ when mounting is complete. Complete with 4 x 2 mm black gaskets.

Adhesive gaskets to facilitate positioning the hinge on the glass panel.
Rotation angle + 90° and - 90°. With snap at 0° and stop -90° and +90°
 Finish: chrome, imitation stainless steel

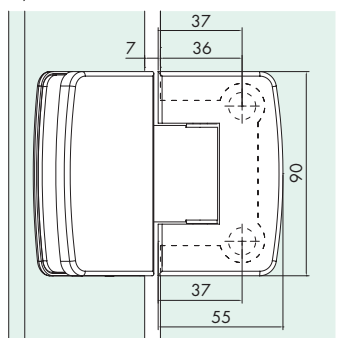
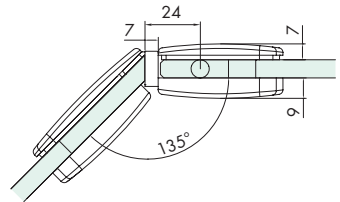
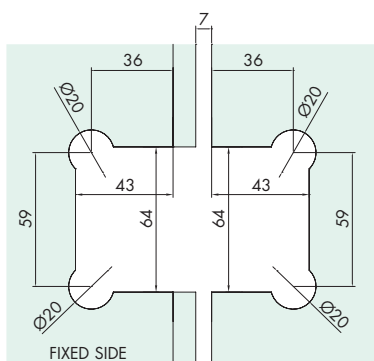


Art.	Dimensions	Glass	Load capacity	Max door width	Q.ty
CHD280	L 116 mm H 90 mm	8/10 mm	50 kg	900 mm	1 Pc

HD SERIES HINGE WITH ADJUSTABLE 135° COVER for glass 8/10 mm

Material: brass
 Features: 135° glass/glass hinge
 CNC finished cast hinge body, mechanically processed remaining parts.
 Brass covers only on one side to hide the screws that fix the hinge to the glass panel. Complete with 4 x 2 mm black gaskets.
 Correction of door angle position by $\pm 10^\circ$ when mounting is complete.

Adhesive gaskets to facilitate positioning the hinge on the glass panel.
Rotation angle + 90° and - 90°. With snap at 0° and stop -90° and +90°
 Finish: chrome, imitation stainless steel



Art.	Dimensions	Glass	Load capacity	Max door width	Q.ty
CHD2135	L 65.5 + 55 mm H 90 mm	8/10 mm	50 kg	900 mm	1 Pc



HD SMALL SERIES HINGE WITH ADJUSTABLE SIDE COVER 6/8 mm glass

Material: brass

Features: glass/wall hinge with side plate.

CNC finished cast hinge body, mechanically processed remaining parts.

Brass cover only on one side to hide the screws that fix the hinge to the glass panel.

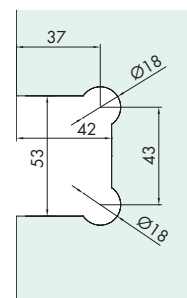
Correction of door angle position by $\pm 10^\circ$ when mounting is complete.

Wall anchoring plate, with groove, screwed to the hinge body 39.5 mm x 80 mm. Complete with 2 x 2 mm black gaskets.

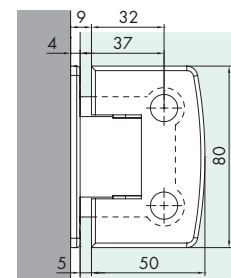
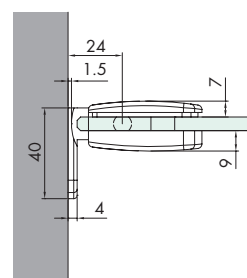
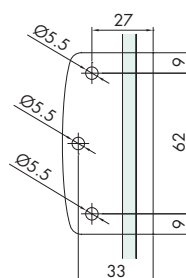
Adhesive gaskets to facilitate positioning the hinge on the glass panel.

Rotation angle + 90° and - 90°. With snap at 0° and stop -90° and +90°

Finish: chrome, imitation stainless steel



Wall plate



Art.	Dimensions	Glass	Load capacity	Max door width	Q.ty
CHD10	L 50 mm H 80 mm	6/8 mm	40 kg	720 mm	1 Pc

SYSTEMS FOR BALUSTRADES
 SYSTEMS FOR OUTDOORS
 SYSTEMS FOR GLASS PARTITIONS
 STEEL SYSTEMS FOR SLIDING DOORS
 ALUMINIUM SYSTEMS FOR SLIDING DOORS
 SYSTEMS FOR HINGED DOORS
 PULL HANDLES AND INVOIS
 SYSTEMS FOR SHOWER PARTITIONS



HD SMALL HINGES

HD SMALL SERIES HINGE WITH ADJUSTABLE CENTRAL COVER 6/8 mm glass

Material: brass

Features: glass/wall hinge with central plate.

CNC finished cast hinge body, mechanically processed remaining parts.

Brass cover only on one side to hide the screws that fix the hinge to the glass panel.

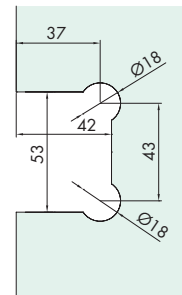
Correction of door angle position by $\pm 10^\circ$ when mounting is complete.

Wall anchoring plate, with groove, screwed to the hinge body 44 mm x 80 mm. Complete with 2 x 2 mm black gaskets.

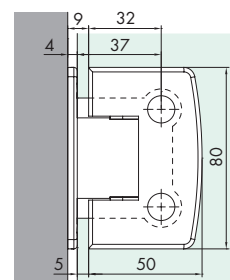
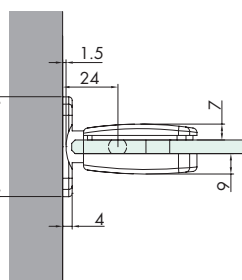
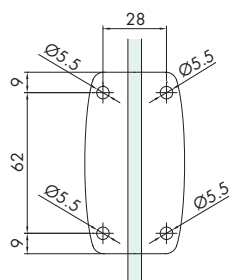
Adhesive gaskets to facilitate positioning the hinge on the glass panel.

Rotation angle + 90° and - 90°. With snap at 0° and stop -90° and +90°

Finish: chrome, imitation stainless steel



Wall plate



Art.	Dimensions	Glass	Load capacity	Max door width	Q.ty
CHD12	L 50 mm H 80 mm	6/8 mm	40 kg	720 mm	1 Pc

HD SMALL SERIES HINGE WITH ADJUSTABLE 90° COVER 6/8 mm glass

Material: brass

Features: 90° glass/glass hinge

CNC finished cast hinge body, mechanically processed remaining parts.

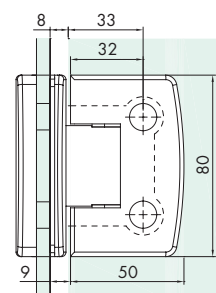
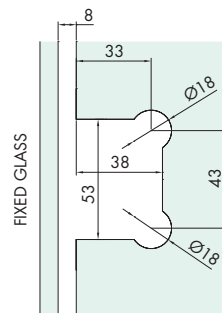
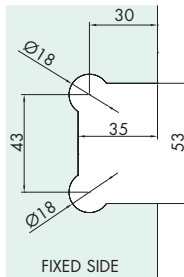
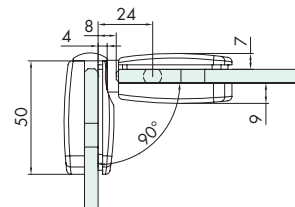
Brass covers only on one side to hide the screws that fix the hinge to the glass panel.

Correction of door angle position by $\pm 10^\circ$ when mounting is complete. Complete with 4 x 2 mm black gaskets.

Adhesive gaskets to facilitate positioning the hinge on the glass panel.

Rotation angle + 90° and - 90°. With snap at 0° and stop -90° and +90°

Finish: chrome, imitation stainless steel



Art.	Dimensions	Glass	Load capacity	Max door width	Q.ty
CHD190	L 50 mm + 50 mm H 80 mm	6/8 mm	40 kg	720 mm	1 Pc

HD SMALL SERIES HINGE WITH ADJUSTABLE IN-LINE COVER 6/8 mm glass

Material: brass

Features: in-line glass/glass hinge

CNC finished cast hinge body, mechanically processed remaining parts.

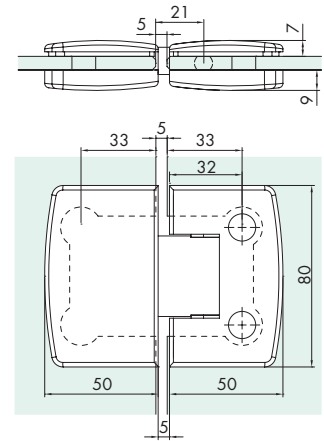
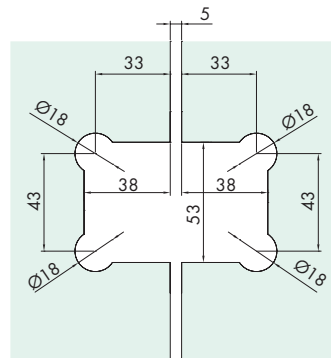
Brass covers only on one side to hide the screws that fix the hinge to the glass panel.

Correction of door angle position by $\pm 10^\circ$ when mounting is complete. Complete with 4 x 2 mm black gaskets.

Adhesive gaskets to facilitate positioning the hinge on the glass panel.

Rotation angle $+ 90^\circ$ and $- 90^\circ$. With snap at 0° and stop -90° and $+90^\circ$

Finish: chrome, imitation stainless steel



Art.	Dimensions	Glass	Load capacity	Max door width	Q.ty
CHD180	L 105 H 80 mm	6/8 mm	40 kg	720 mm	1 Pc

HD SMALL SERIES HINGE WITH ADJUSTABLE 135° COVER 6/8 mm glass

Material: brass

Features: 135° glass/glass hinge

CNC finished cast hinge body, mechanically processed remaining parts.

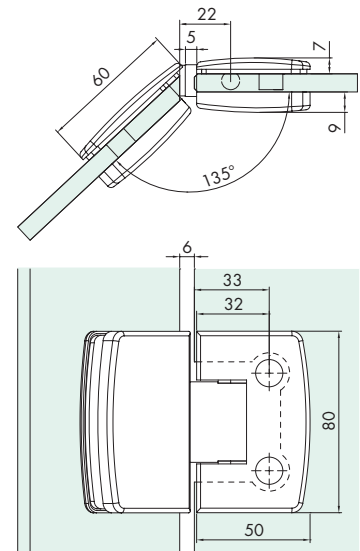
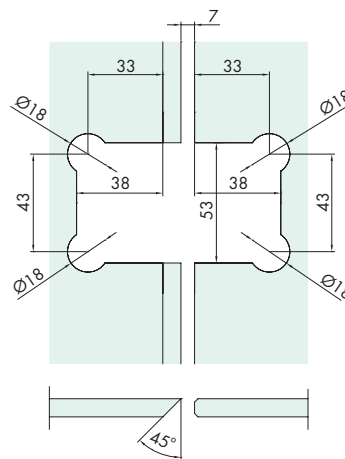
Brass covers only on one side to hide the screws that fix the hinge to the glass panel.

Correction of door angle position by $\pm 10^\circ$ when mounting is complete. Complete with 4 x 2 mm black gaskets.

Adhesive gaskets to facilitate positioning the hinge on the glass panel.

Rotation angle $+ 90^\circ$ and $- 90^\circ$. With snap at 0° and stop -90° and $+90^\circ$

Finish: chrome, imitation stainless steel



Art.	Dimensions	Glass	Load capacity	Max door width	Q.ty
CHD1135	L 60 mm + 50 mm H 80 mm	6/8 mm	40 kg	720 mm	1 Pc

SYSTEMS FOR
BALUSTRADES

SYSTEMS FOR
OUTDOORS

SYSTEMS FOR
GLASS PARTITIONS

STEEL
SYSTEMS FOR
SLIDING DOORS

ALUMINIUM
SYSTEMS FOR
SLIDING DOORS

SYSTEMS FOR
HINGED DOORS

PULL HANDLES
AND KNOBS

SYSTEMS FOR
SHOWER PARTITIONS



Adjustable hinges line

Material: brass and steel

Main features:

- Correction of door angle position by $\pm 6^\circ$ when mounting is complete.
- Both the roller and the articulated joint are made of steel, ensuring better reliability over time.
- **Rotation angle + 90° outwards and - 85° inwards. The reduction of the internal angle to 85° has been designed to prevent contact between the knob/handle and possibly a wall.**



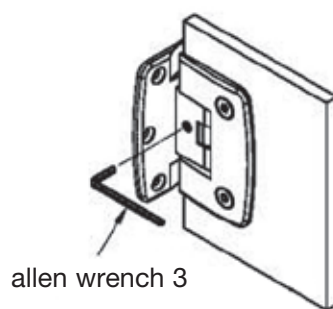
600 SERIES Glass 8/12 mm



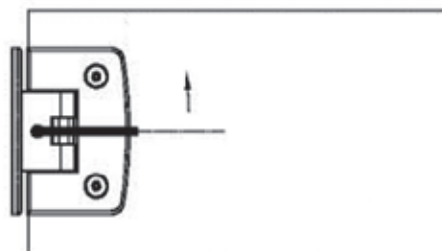
400 SERIES SMALL Glass 6/8 mm

Instructions for proper adjusting:

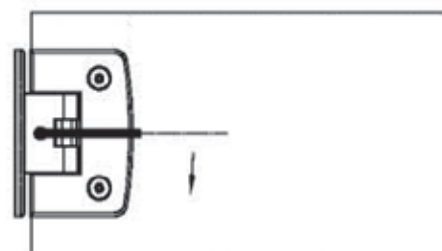
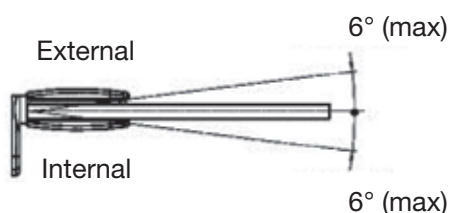
1. insert the M3 hex key in the special grub screw placed on the body of the articulated joint
2. turn the key 3 times until the articulated joint is free. **PAY ATTENTION TO NOT UNSCREW THE GRUB SCREW ANY FURTHER** to prevent the internal spring from getting lost. (See diagram below)
3. Adjust the desired angle between $\pm 6^\circ$
4. Tighten the grub screw completely



Loosen by rotating it counterclockwise



Angle Correction



Tighten by rotating it clockwise

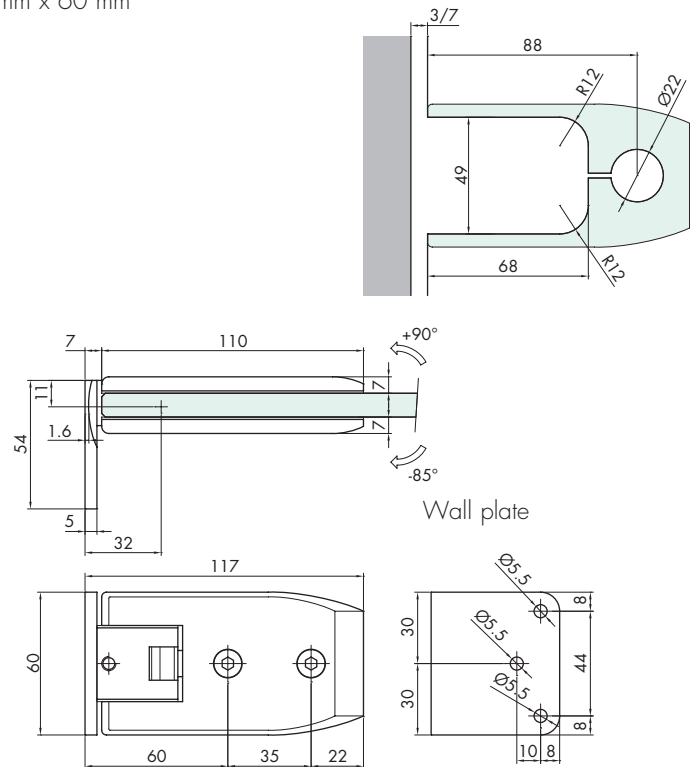
600 SERIES ADJUSTABLE SIDE HINGE FOR GLASS 8/12 mm

Material: brass - Features: glass/wall hinge with side plate screwed to the hinge body. Roller and articulated joint made of AISI 316 steel. CNC finished cast hinge body, mechanically processed remaining parts. Glass door adjustment $\pm 6^\circ$.

Rotation $+90^\circ$, 0° , -85° . Anchoring plate screwed to the hinge body 54 mm x 60 mm

Complete with 3 x 1 mm black gaskets.

Finish: chrome, imitation stainless steel



Art.	Dimensions	Glass	Load capacity	max door width	Q.ty
S600	L 117 mm H 60 mm	8/12 mm	60 kg	1000 mm	1 Pc

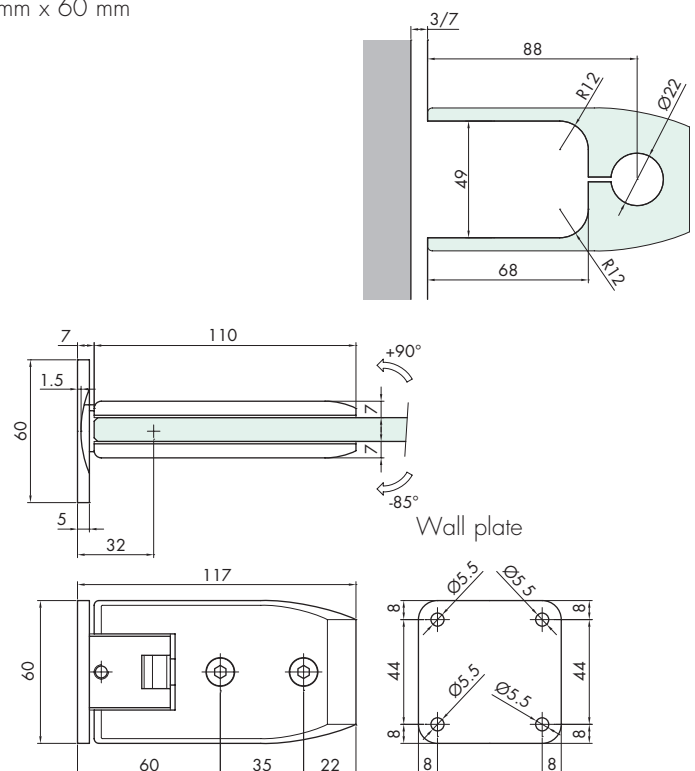
600 SERIES ADJUSTABLE CENTRAL HINGE FOR GLASS 8/12 mm

Material: brass - Features: glass/wall hinge with central plate screwed to the hinge body. Roller and articulated joint made of AISI 316 steel. CNC finished cast hinge body, mechanically processed remaining parts. Glass door adjustment $\pm 6^\circ$.

Rotation $+90^\circ$, 0° , -85° . Anchoring plate screwed to the hinge body 60 mm x 60 mm

Complete with 3 x 1 mm black gaskets.

Colour: chrome, imitation stainless steel



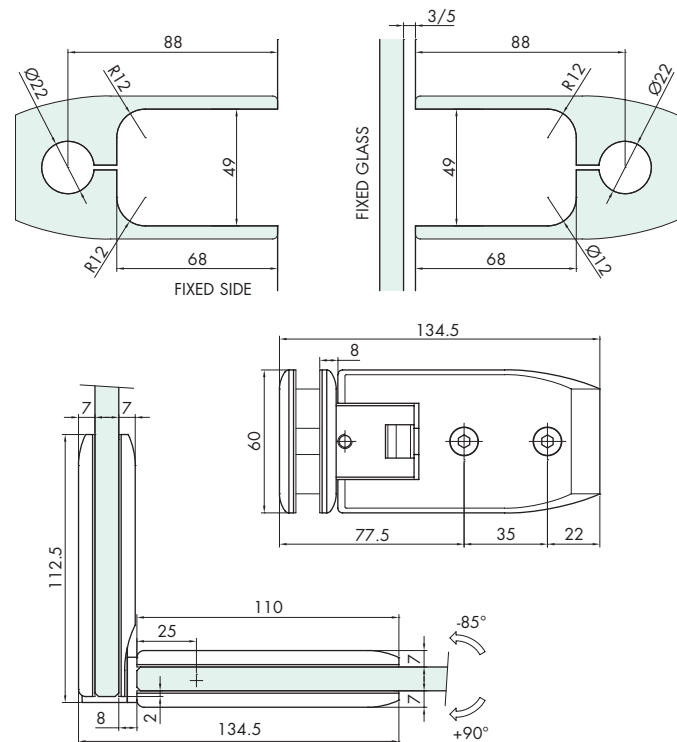
Art.	Dimensions	Glass	Load capacity	max door width	Q.ty
S603	L 117 mm H 60 mm	8/12 mm	60 kg	1000 mm	1 Pc

600 SERIES ADJUSTABLE 90° HINGE FOR GLASS 8/12 mm

Material: brass - Features: 90° glass/glass hinge. Roller and articulated joint made of AISI 316 steel. CNC finished cast hinge body, mechanically processed remaining parts. Glass door adjustment $\pm 6^\circ$. Rotation $+90^\circ, 0, -85^\circ$.

Complete with 6 x 1 mm black gaskets.

Finish: chrome, imitation stainless steel



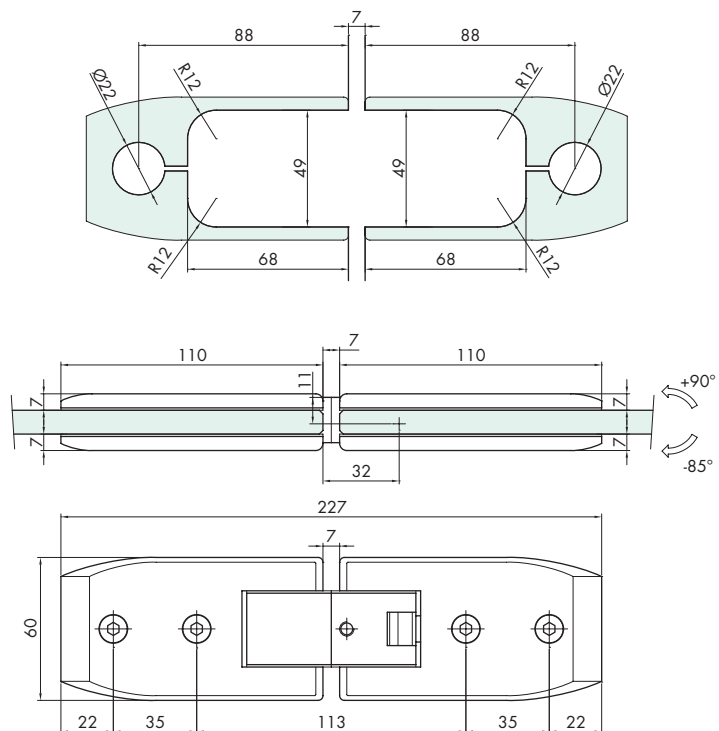
Art.	Dimensions	Glass	Load capacity	max door width	Q.ty
S690	L 110 + 112.5 mm H 60 mm	8/12 mm	60 kg	1000 mm	1 Pc

600 SERIES ADJUSTABLE IN-LINE GLASS/GLASS HINGE FOR GLASS 8/12 mm

Material: brass - Features: in-line glass/glass hinge. Roller and articulated joint made of AISI 316 steel. CNC finished cast hinge body, mechanically processed remaining parts. Glass door adjustment $\pm 6^\circ$. Rotation $+90^\circ, 0, -85^\circ$.

Complete with 6 x 1 mm black gaskets.

Finish: chrome, imitation stainless steel



Art.	Dimensions	Glass	Load capacity	max door width	Q.ty
S6180	L 227 mm H 60 mm	8/12 mm	60 kg	1000 mm	1 Pc

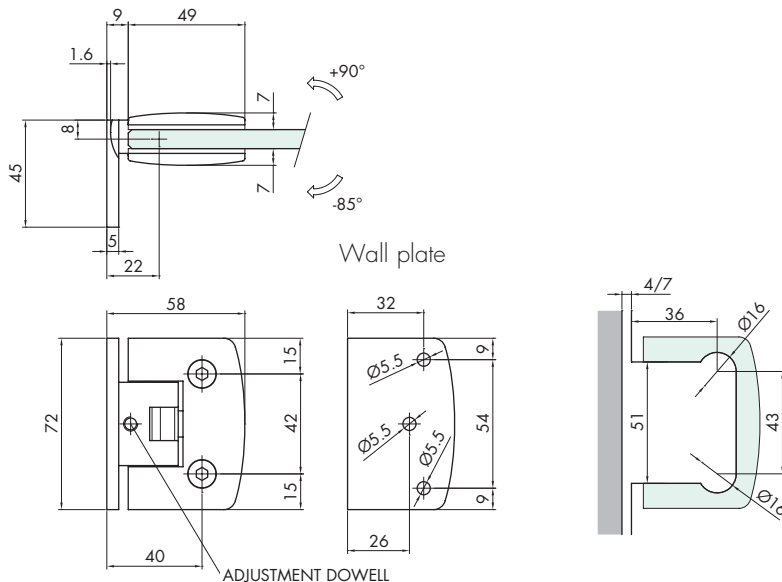
SYSTEMS FOR BALUSTRADES
 SYSTEMS FOR OUTDOORS
 SYSTEMS FOR GLASS PARTITIONS
 STEEL SYSTEMS FOR SLIDING DOORS
 ALUMINIUM SYSTEMS FOR SLIDING DOORS
 SYSTEMS FOR HINGED DOORS
 PULL HANDLES AND INVOIS
 SYSTEMS FOR SHOWER PARTITIONS



400 SMALL ADJUSTABLE SNAP HINGES

400 SERIES SMALL ADJUSTABLE SIDE HINGE FOR GLASS 6/8 mm

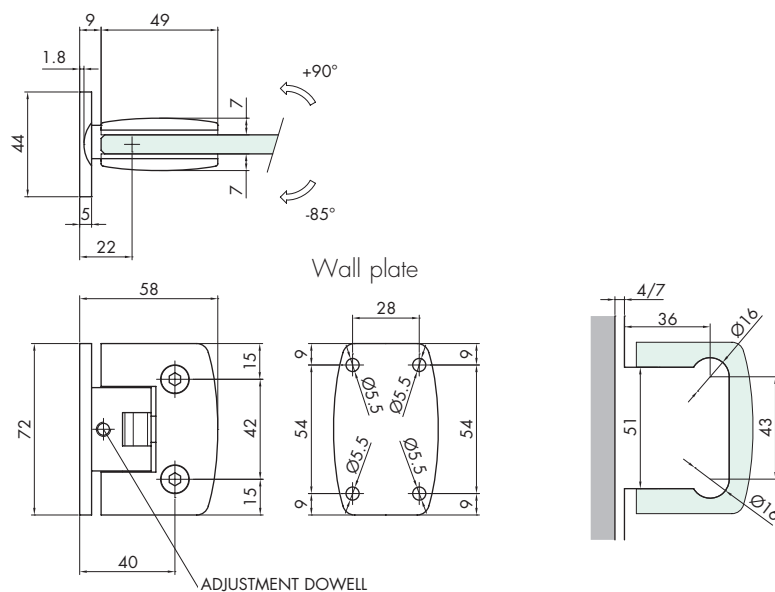
Material: brass - Features: glass/wall hinge with side plate screwed to the hinge body. Roller and articulated joint made of AISI 316 steel. CNC finished cast hinge body, mechanically processed remaining parts. Glass door adjustment $\pm 6^\circ$. Rotation $+90^\circ$, 0° , -85° . Anchoring plate screwed to the hinge body 45 mm x 72 mm. Complete with 2 x 2 mm black gaskets. Finish: chrome, imitation stainless steel



Art.	Dimensions	Glass	Capacity	max door width	Q.ty
S150	L 58 mm H 72 mm	6/8 mm	40 kg	720 mm	1 Pc

400 SERIES SMALL ADJUSTABLE CENTRAL HINGE FOR GLASS 6/8 mm

Material: brass - Features: glass/wall hinge with central plate screwed to the hinge body. Roller and articulated joint made of AISI 316 steel. CNC finished cast hinge body, mechanically processed remaining parts. Glass door adjustment $\pm 6^\circ$. Rotation $+90^\circ$, 0° , -85° . Anchoring plate screwed to the hinge body 44 mm x 72 mm. Complete with 2 x 2 mm black gaskets. Finish: chrome, imitation stainless steel



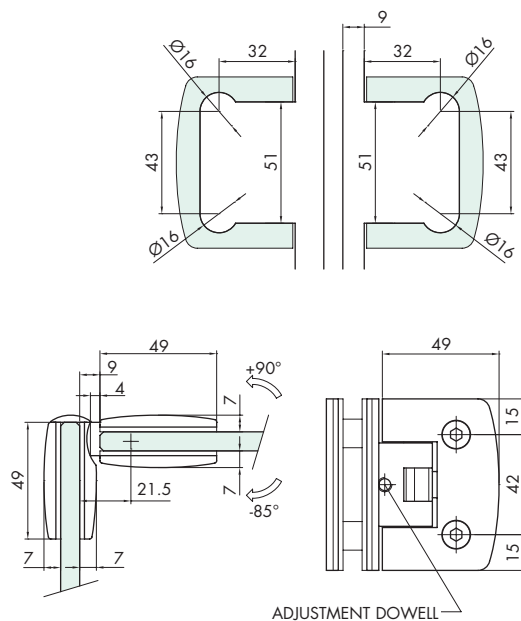
Art.	Dimensions	Glass	Capacity	max door width	Q.ty
S153	L 58 mm H 72 mm	6/8 mm	40 kg	720 mm	1 Pc

400 SERIES SMALL ADJUSTABLE 90° HINGE FOR GLASS 6/8 mm

Material: brass - Features: 90° glass/glass hinge. Roller and articulated joint made of AISI 316 steel. CNC finished cast hinge body, mechanically processed remaining parts. Glass door adjustment $\pm 6^\circ$. Rotation $+90^\circ, 0, -85^\circ$.

Complete with 4 x 2 mm black gaskets.

Finish: chrome, imitation stainless steel



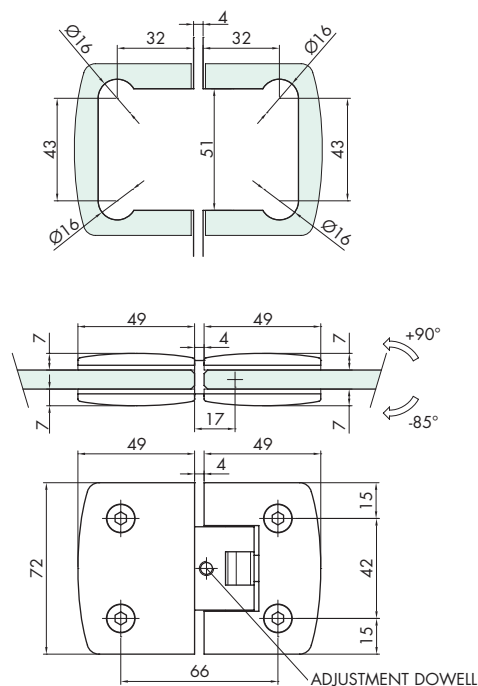
Art.	Dimensions	Glass	Capacity	max door width	Q.ty
S190	L 50 + 50 mm H 72 mm	6/8 mm	40 kg	720 mm	1 Pc

400 SERIES SMALL ADJUSTABLE IN-LINE GLASS/GLASS HINGE FOR GLASS 6/8 mm

Material: brass - Features: in-line glass/glass hinge. Roller and articulated joint made of AISI 316 steel. CNC finished cast hinge body, mechanically processed remaining parts. Glass door adjustment $\pm 6^\circ$. Rotation $+90^\circ, 0, -85^\circ$.

Complete with 4 x 2 mm black gaskets.

Finish: chrome, imitation stainless steel



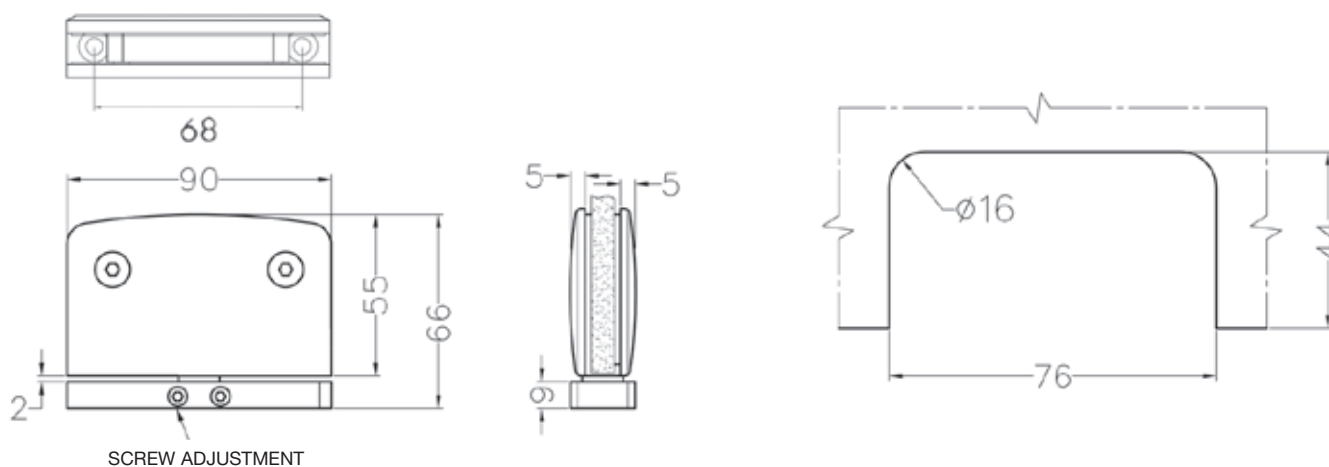
Art.	Dimensions	Glass	Capacity	max door width	Q.ty
S1180	L 102 mm H 72 mm	6/8 mm	40 kg	720 mm	1 Pc

400 SERIES ADJUSTABLE PIVOT HINGE

Material: brass

Features: wall/glass hinge to be fixed to the floor with angle adjustment when installation is complete. CNC finished cast hinge body, mechanically processed remaining parts. 360° rotation with snap every 90°. Complete with 1 and 2 mm thick gaskets.

Fixing plate H 9 mm x L 90 mm. Finish: chrome, satin nickel finish



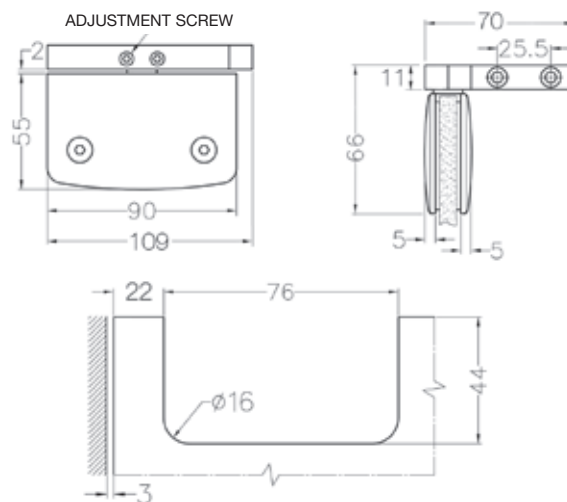
Art.	Dimensions	Glass	Capacity	max door width	Q.ty
S4500	L 90 mm H 66 mm	8/10 mm	42 kg	715 mm	1 Pc

400 SERIES ADJUSTABLE UPPER RIGHT OR LEFT PIVOT HINGE

Material: brass

Features: wall/glass hinge to be fixed to the wall with angle adjustment when installation is complete. CNC finished cast hinge body, mechanically processed remaining parts. 360° rotation with snap every 90°. Complete with 1 and 2 mm thick gaskets.

Fixing plate H 11 x D 70 x L 109 mm. Finish: chrome, satin nickel finish



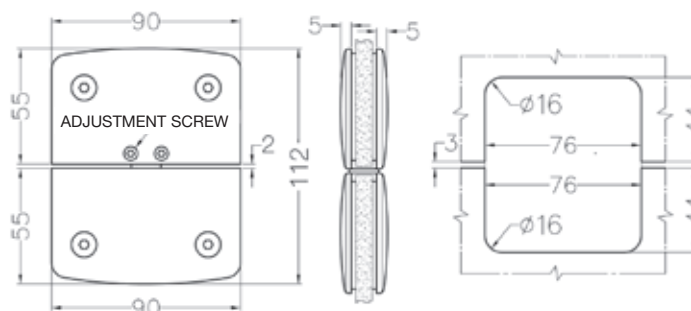
Art.	Dimensions	Glass	Capacity	max door width	Q.ty
S4505R	L 109 mm H 66 mm D 70 mm	8/10 mm	42 kg	715 mm	1 Pc
S4506L	L 109 mm H 66 mm D 70 mm	8/10 mm	42 kg	715 mm	1 Pc

400 SERIES GLASS/GLASS HINGE FOR GLASS 8/10

Material: brass

Features: glass/glass hinge with angle adjustment when installation is complete. CNC finished cast hinge body, mechanically processed remaining parts. 360° rotation with snap every 90°. Complete with 1 and 2 mm thick gaskets

Finish: chrome, satin nickel finish



Art.	Dimensions	Glass	Capacity	max door width	Q.ty
S4503	L 90 mm H 55 + 55 mm	8/10 mm	42 kg	715 mm	1 Pc

700 ADJUSTABLE SIDE SNAP HINGE WITH PULL OPENING

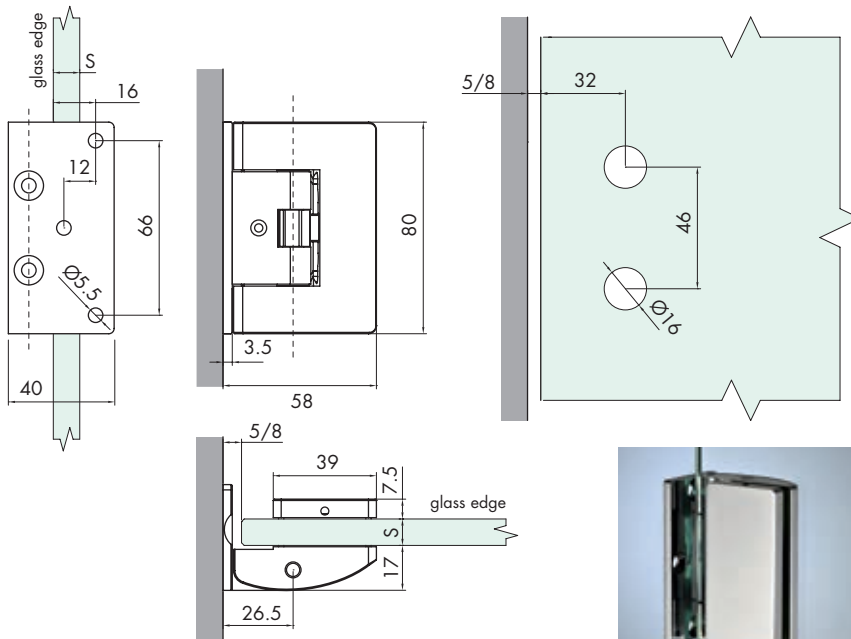
Material: brass

Features: glass/wall hinge with side plate screwed to the hinge body. Roller and articulated joint made of AISI 316 steel.

CNC finished cast hinge body, mechanically processed remaining parts. Glass door adjustment ± 6°.

Rotation +90°. Anchoring plate screwed to the hinge body 80 mm x 40 mm. Complete with 1 and 2 mm thick gaskets.

Finish: chrome, satin nickel finish



Art.	Dimensions	For glass	Capacity	Max door width	Q.ty
CER700	L 58 mm H 80 mm	8/10 mm	50 Kg	900 mm	1 Pc

720 ADJUSTABLE 180° SNAP HINGE WITH PULL OPENING

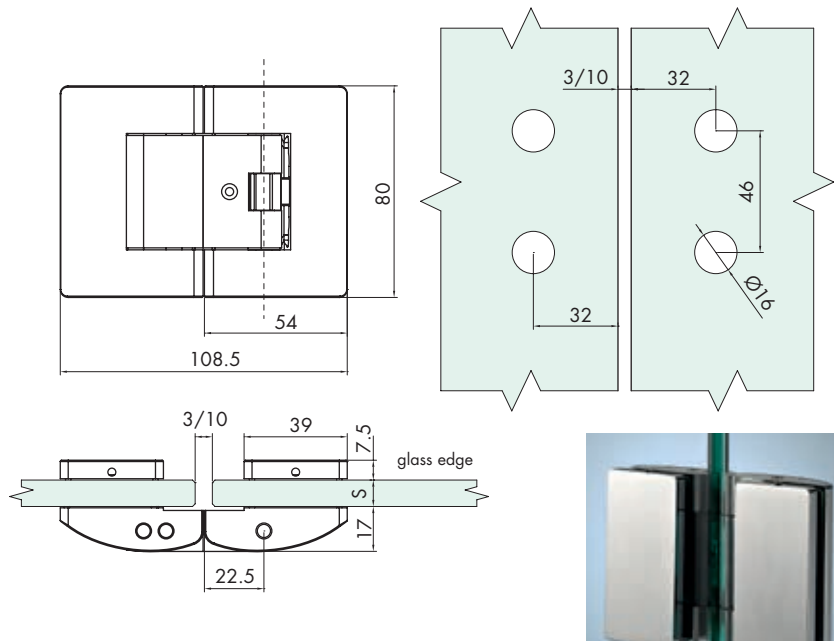
Material: brass

Features: in-line glass/glass hinge. Roller and articulated joint made of AISI 316 steel.

CNC finished cast hinge body, mechanically processed remaining parts. Glass door adjustment ± 6°.

Rotation +90°. Complete with 1 and 2 mm thick gaskets

Finish: chrome, satin nickel finish



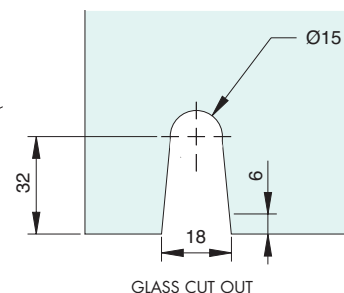
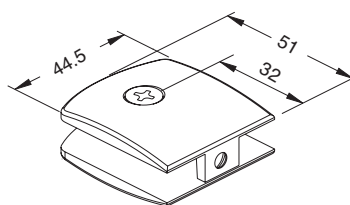
Art.	Dimensions	For glass	Capacity	Max door width	Q.ty
CER720	L 108.5 mm H 80 mm	8/10 mm	50 Kg	900 mm	1 Pc

400 SERIES WALL/GLASS CLAMP 1

Material: brass

Features: wall glass fixing clamp with one fixing point. Complete with 1 mm thick gaskets

Finish: chrome, imitation stainless steel



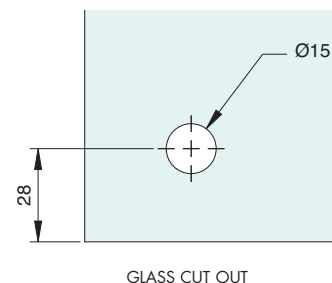
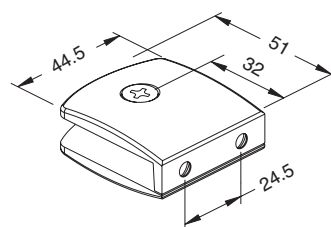
Art	Dimensions	For glass	Fixing fin thickness	Q.ty
S4001	L 44.5 mm H 51 mm	6/10 mm	3.5 mm	1 Pc

400 SERIES WALL/GLASS CLAMP 2

Material: brass

Features: wall glass fixing clamp with 2 fixing points. Complete with 1 mm thick gaskets

Finish: chrome, imitation stainless steel



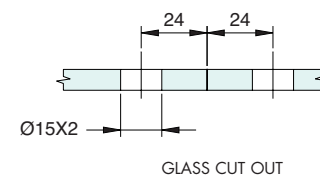
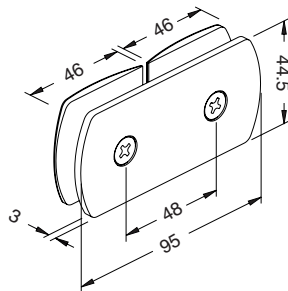
Art	Dimensions	Glass hole	For glass	Fixing fin thickness	Q.ty
S4003	L 44.5 mm H 51 mm	15 mm	6/10 mm	3.5 mm	1 Pc

400 SERIES IN-LINE GLASS/GLASS CLAMP

Material: brass

Features: in-line glass/glass fixing clamp. Complete with 1 mm thick gaskets

Finish: chrome, imitation stainless steel



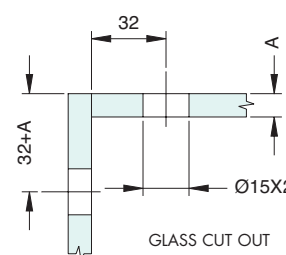
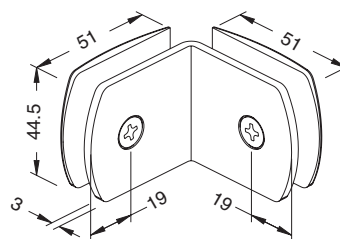
Art	Dimensions	Glass hole	For glass	Q.ty
S4005	L 95 mm H 44.5 mm	15 mm	6/10 mm	1 Pc

400 SERIES 90° GLASS/GLASS CLAMP

Material: brass

Features: 90° glass/glass fixing clamp. Complete with 1 mm thick gaskets

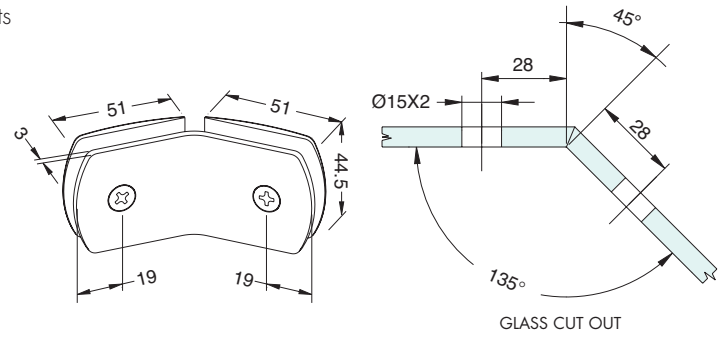
Finish: chrome, imitation stainless steel



Art	Dimensions	Glass hole	For glass	Q.ty
S4007	L 51+51 mm H 44.5 mm	15 mm	6/10 mm	1 Pc

400 SERIES 135° GLASS/GLASS CLAMP

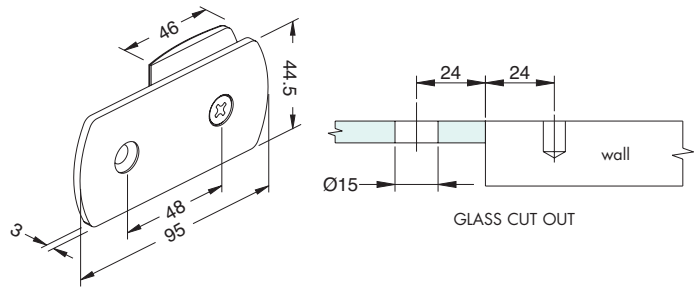
Material: brass
 Features: 135° glass/glass fixing clamp. Complete with 1 mm thick gaskets
 Finish: chrome, imitation stainless steel



Art	Dimensions	Glass hole	For glass	Q.ty
S4009	L 51 + 51 mm H 44.5 mm	15 mm	6/10 mm	1 Pc

400 SERIES IN-LINE GLASS/WALL CLAMP

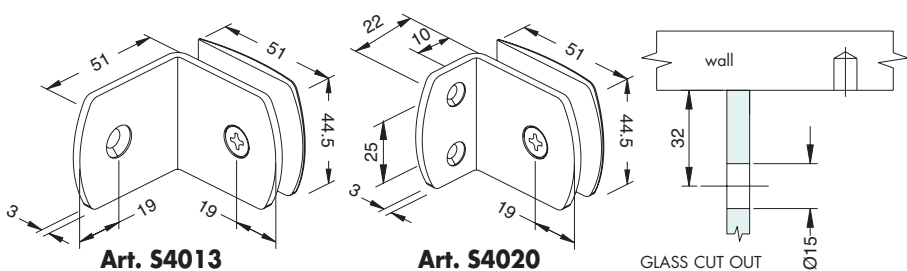
Material: brass
 Features: in-line glass/wall fixing clamp. Complete with 1 mm thick gaskets
 Finish: chrome, imitation stainless steel



Art	Dimensions	Glass hole	For glass	Q.ty
S4011	L 95 mm H 44.5 mm	15 mm	6/10 mm	1 Pc

400 SERIES 90° GLASS/WALL CLAMP

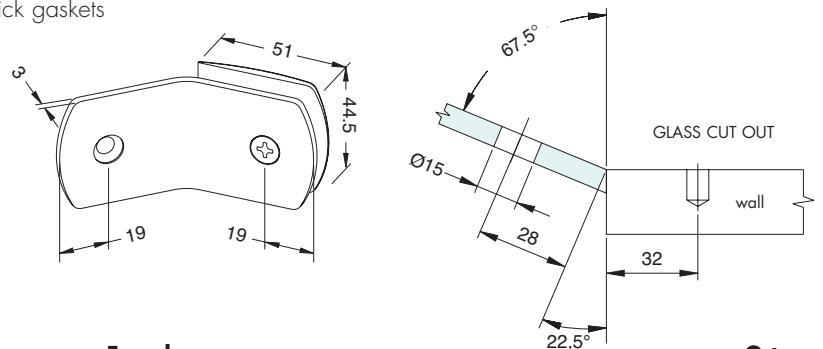
Material: brass
 Features: 90° glass/wall fixing clamp. Complete with 1 mm thick gaskets
 Finish: chrome, imitation stainless steel



Art	Dimensions	Glass hole	For glass	Q.ty
S4013	L 51 + 51 mm H 44.5 mm	15 mm	6/10 mm	1 Pc
S4020	L 51 + 20 mm H 44.5 mm	15 mm	6/10 mm	1 Pc

400 SERIES 135° GLASS/WALL CLAMP

Material: brass
 Features: 135° glass/wall fixing clamp. Complete with 1 mm thick gaskets
 Finish: chrome, imitation stainless steel



Art	Dimensions	Glass hole	For glass	Q.ty
S4015	L 51 + 51 mm H 44.5 mm	15 mm	6/10 mm	1 Pc



400 SERIES LOCK LOCK/KNOB

Material: brass

Features: glass/wall latch for hinged doors with lock and turning knob.

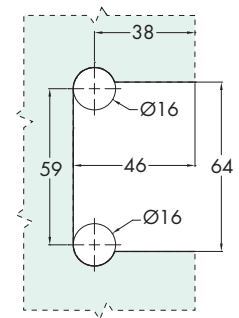
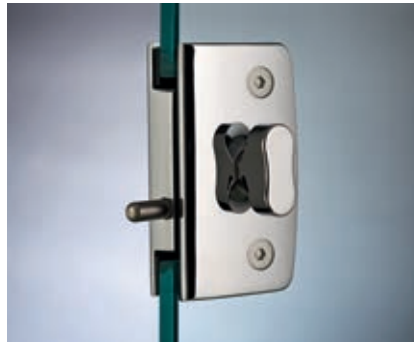
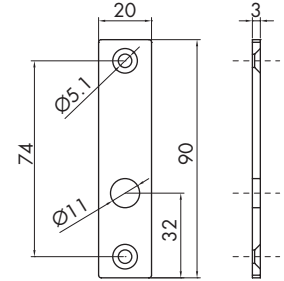
Body made of cast brass, mechanically processed remaining parts.

Right position, for left position mount upside down.

Complete with 1 and 2 mm thick gaskets

Finish: chrome, imitation stainless steel

Wall striking plate (supplied)



Art.	Dimensions	Pin	Glass	Q.ty
CSP75	H 90 mm L 55 mm	Ø7 x L16 mm mm	8/10 mm	1 Pc



400 SERIES LOCK LOCK/KNOB WITH HANDLE

Material: brass

Features: glass/wall latch for hinged doors with lock and turning knob.

Body made of cast brass, mechanically processed remaining parts.

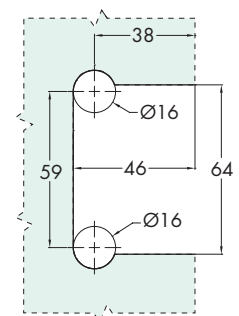
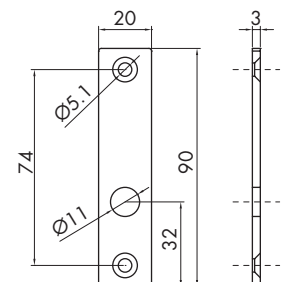
Right position, for left position mount upside down.

Equipped with opening handles.

Complete with 1 and 2 mm thick gaskets

Finish: chrome, imitation stainless steel

Wall striking plate (supplied)



Art.	Dimensions	Handles dimensions	Pin	Glass	Q.ty
CSP85	H 90 mm L 55 mm	H 90 mm L 30 mm P 26 mm	Ø7 x L16 mm	8/10 mm	1 Pc



400 SERIES CLOSURE DOUBLE KNOB

Material: brass

Features: glass/wall latch for hinged doors with turning knob.

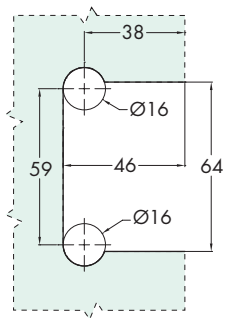
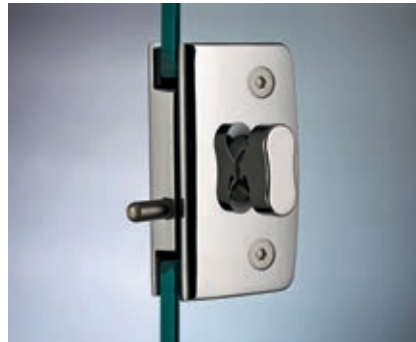
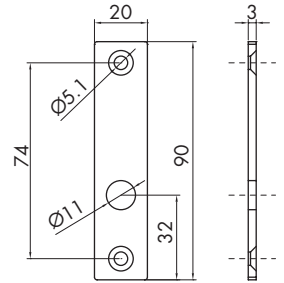
Body made of cast brass, mechanically processed remaining parts.

Right position, for left position mount upside down.

Complete with 1 and 2 mm thick gaskets

Finish: chrome, imitation stainless steel

Wall striking plate
(supplied)



Art.	Dimensions	Pin	Glass	Q.ty
CLP23	H 90 mm L 55 mm	Ø7 x L16 mm mm	8/10 mm	1 Pc



400 SERIES CLOSURE DOUBLE KNOB WITH HANDLE

Material: brass

Features: glass/wall latch for hinged doors with turning knob.

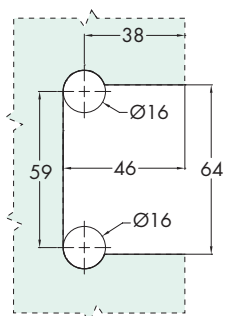
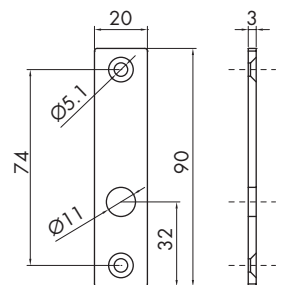
Body made of cast brass, mechanically processed remaining parts.

Right position, for left position mount upside down.

Equipped with opening handle. Complete with 1 and 2 mm thick gaskets

Finish: chrome, imitation stainless steel

Wall striking plate
(supplied)



Art.	Dimensions	Handles dimensions	Pin	Glass	Q.ty
CLPM29	H 90 mm L 55 mm	H 90 mm L 30 mm P 26 mm	Ø7 x L16 mm mm	8/10 mm	1 Pc



400 SERIES PRIVACY LATCH ENGAGED INDICATOR

Material: brass

Features: glass/wall latch for hinged doors with turning knob only on one side. Body made of cast brass, mechanically processed remaining parts.

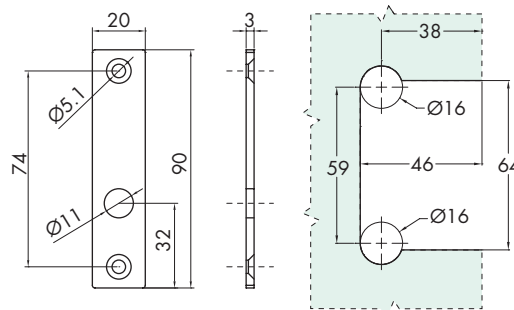
Right position, for left position mount upside down. Vacant engaged indicator.

Complete with 1 and 2 mm thick gaskets

Finish: chrome, imitation stainless steel



wall strike plate (included)



Art. **Dimensions**
CLS18 H 90 mm L 55 mm

Pin
Ø7 x L16 mm mm

Glass
8/10 mm

Q.ty
1 Pc



400 SERIES PRIVACY LATCH VACANT ENGAGED WITH HANDLE

Material: brass

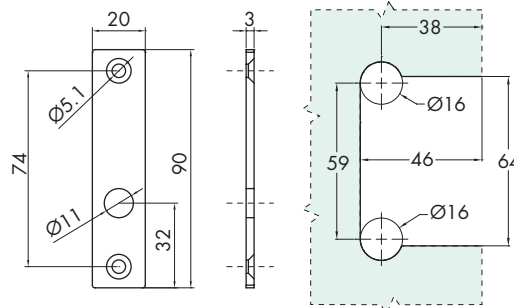
Features: glass/wall latch for hinged doors with turning knob on one side and red/green vacant engaged indicator on the other. Body made of cast brass, mechanically processed remaining parts. Handle to ease door opening.

Right position, for left position mount upside down.

Complete with 1 and 2 mm thick gaskets. Finish: chrome, imitation stainless steel



wall strike plate (included)



Art. **Dimensions**
CLM19 H 90 mm L 55 mm

Handles dimensions
H 90 mm L 30 mm P 26 mm

Pin
Ø7 x L16 mm mm

Glass
8/10 mm

Q.ty
1 Pc



COUNTERPART PLATE FOR HINGED DOORS BIG

Material: brass

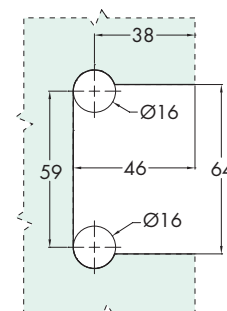
Features: counterpart plate for closing a double glass door.

Applicable with closures:

Art. CLPM29, CLP23, CLM19, CLS18, CSP75, CSP85.

Complete with 1 and 2 mm thick gaskets

Finish: chrome, imitation stainless steel



Art. **Dimensions**
CL105 H 90 mm L 55 mm

Glass
8/10 mm

Q.ty
1 Pc

SYSTEMS FOR
BALUSTRADES

SYSTEMS FOR
OUTDOORS

SYSTEMS FOR
GLASS PARTITIONS

STEEL
SYSTEMS FOR
SLIDING DOORS

ALUMINIUM
SYSTEMS FOR
SLIDING DOORS

SYSTEMS FOR
HINGED DOORS

PULL HANDLES
AND KNOBS

SYSTEMS FOR
SHOWER PARTITIONS



HINGE 2005 REPORT

Series of hinges made via brass CNC machined. The components that allow the mechanism to work are made of AISI 304 stainless steel, while the brass articulated joint is coated internally with a self-lubricating plastic thus enabling longer durability; in addition the springs are made of AISI 302 stainless steel.

CER 26 and CER 27 consist of a removable anchoring plate, enabling to anchor the hinges directly to your structures. Finally, thanks to this last feature, we can make plates of different sizes from those we have assembled.

Compared to the previous hinges, some alterations have been made that allow better operation. With PIN S.c.r.l., educational and scientific services company for the University of Florence, one has conducted research on Hinge 2004, in order to establish possible solutions for improvement in the movement phase.

On the basis of the results obtained from the verification of the various components used in the current hinge, a research has been conducted a table with the aim to facilitate users in choosing the components.

Hinge verification was conducted with reference to the diagram below, in which one highlights the main variables considered and the weight force **P** (glass panel weight) that acts on the analysed system. The folding action produced by the above mentioned weight is balanced by the hinge pins seal force whereby the performance of the hinge can be evaluated according to the distance **h** between the hinges themselves.

By analysing how the force varies according to **h**, one can state that the heaviest condition is that in which the hinges are mounted on the plate in a close position.

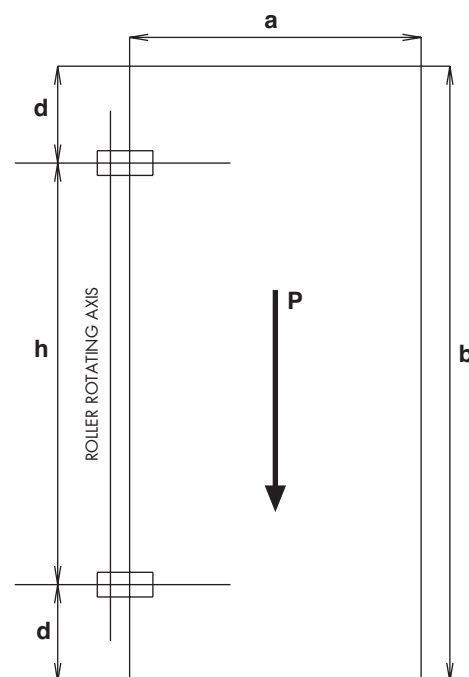


TABLE (measurements expressed in millimetres) geometry for proper use of the hinges. (Check the tolerances for the thermal treatment)

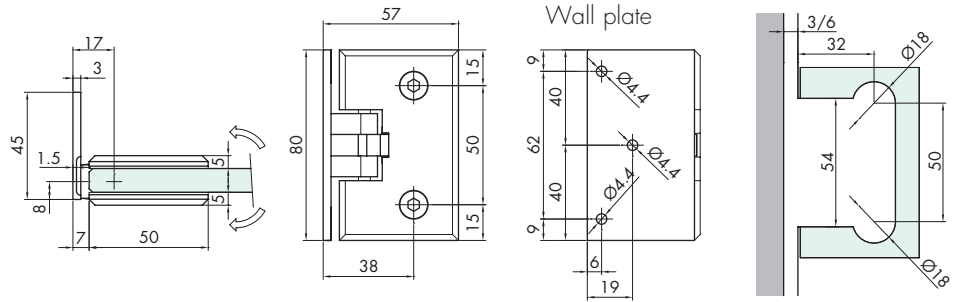
	a =Width										
	400	450	500	550	600	650	700	750	800	850	900
b = Height	d =Maximum distance of the hinge from the edge of the panel										
2000	96.9	96.1	95.2	94.2	-	-	-	-	-	-	-
2100	101.8	100.9	100.0	98.9	97.7	96.5	95	-	-	-	-
2200	106.6	105.7	104.7	103.6	102.4	101.1	99.6	98.1	96.5	94.7	-
2300	111.5	110.5	109.5	108.3	107.0	105.7	104.2	102.6	100.8	99	97.1
2400	116.3	115.3	114.2	113.0	111.7	110.2	108.7	107.0	105.2	103.3	101.3
2500	121.2	120.1	119.0	117.7	116.3	114.8	113.2	111.5	109.6	107.6	105.5

Key: **a**= panel width; **b**= panel height; **d**= maximum distance of the hinge from the edge of the glass panel; **P**= panel weight; **h**= hinges centre-to-centre.



HINGE 26 SIDE

Material: OT58 brass, CNC machined
 Features: side anchoring plate 45x80 mm rotation + 90° 0° - 90°.
 Complete with gaskets: thickness 1 and 2 mm
 Finish: chrome, gold, satin nickel finish, bronze

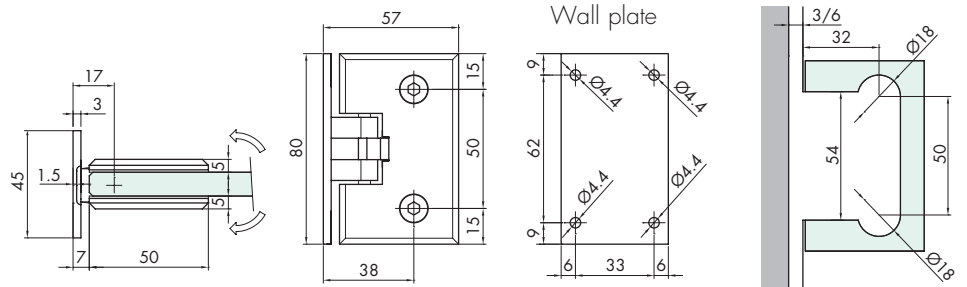


Art.	Dimensions	For glass	Q.ty
CER26	H 57 x L 80 mm - inside 11 mm	6/10 mm	1 Pc



HINGE 27 CENTRAL

Material: OT58 brass, CNC machined
 Features: central anchoring plate 45x80 mm rotation + 90° 0° - 90°.
 Complete with gaskets: thickness 1 and 2 mm
 Finish: chrome, gold, satin nickel finish, bronze

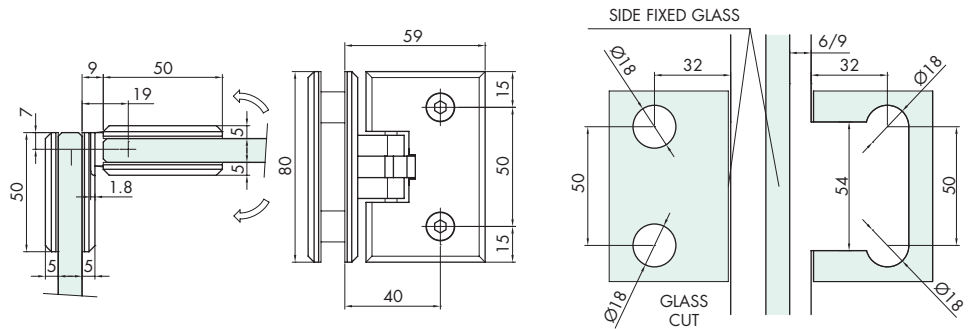


Art.	Dimensions	For glass	Q.ty
CER27	H 57 x L 80 mm - inside 11 mm	6/10 mm	1 Pc



HINGE 28 GLASS/GLASS 90°

Material: OT58 brass, CNC machined
 Features: fixed body and articulated body with rotation + 90° 0° - 90°.
 Complete with gaskets: thickness 1 and 2 mm
 Finish: chrome, gold, satin nickel finish, bronze



Art.	Dimensions	For glass	Q.ty
CER28	H 80x80 x L 50x50 mm - inside 11 mm	6/10 mm	1 Pc

SYSTEMS FOR BALUSTRADES
 SYSTEMS FOR OUTDOORS
 SYSTEMS FOR GLASS PARTITIONS
 STEEL SYSTEMS FOR SLIDING DOORS
 ALUMINIUM SYSTEMS FOR SLIDING DOORS
 SYSTEMS FOR HINGED DOORS
 PULL HANDLES AND INVOIS
 SYSTEMS FOR SHOWER PARTITIONS



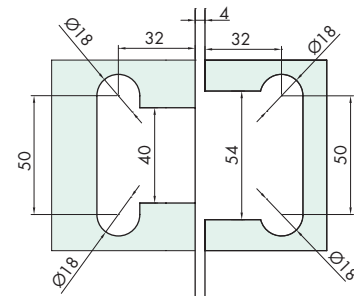
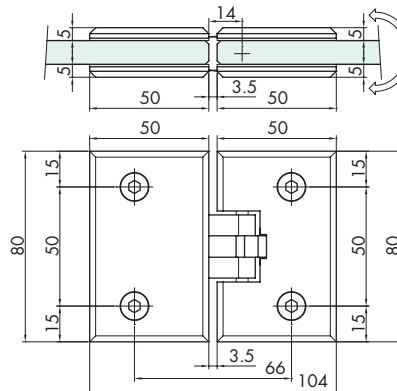
HINGE 29 GLASS/GLASS IN-LINE

Material: OT58 brass, CNC machined

Features: fixed body and articulated body with rotation + 90° 0° - 90°.

Complete with gaskets: thickness 1 and 2 mm

Finish: chrome, gold, satin nickel finish, bronze



Art. CER29 **Dimensions** H 80x L 104 mm - inside 11 mm

For glass 6/10 mm **Q.ty** 1 Pc



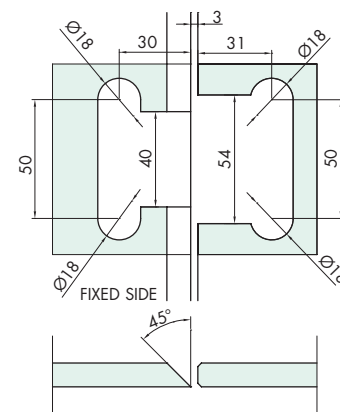
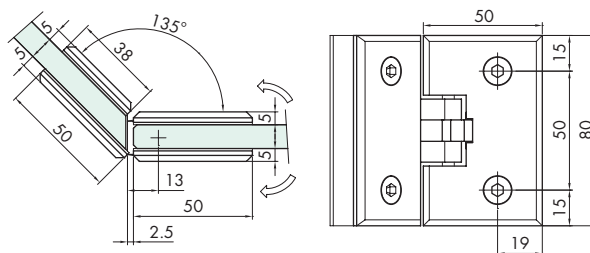
HINGE 30 GLASS/GLASS 135°

Material: OT58 brass, CNC machined

Features: fixed body with 45° edge and articulated body with rotation + 90° 0° - 90°.

Complete with gaskets: thickness 1 and 2 mm

Finish: chrome, gold, satin nickel finish, bronze



Art. CER30 **Dimensions** H 80x80 x L 50x50 mm - inside 11 mm

For glass 6/10 mm **Q.ty** 1 Pc



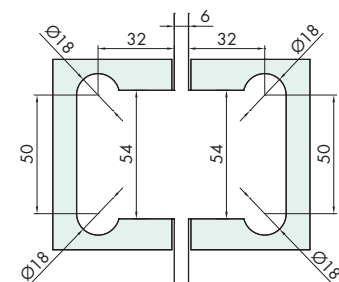
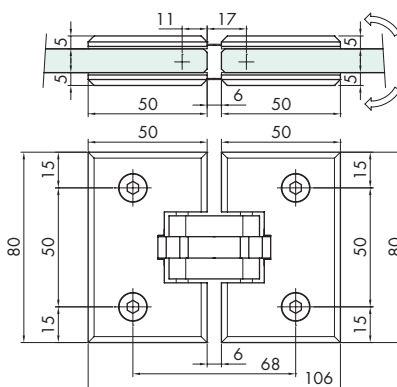
HINGE 31 GLASS/GLASS IN-LINE - SAFETY

Material: OT58 brass, CNC machined

Features: body with double articulated joint with rotation + 90° + 90° 0° - 90° - 90°.

Complete with gaskets: thickness 1 and 2 mm

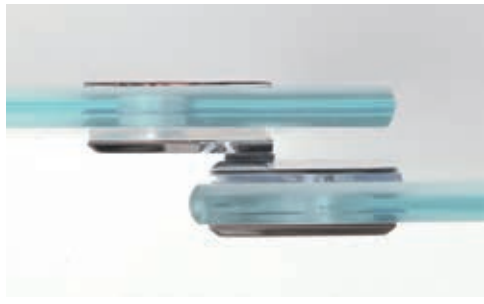
Finish: chrome, gold, satin nickel finish, bronze



Art. CER31 **Dimensions** H 80x L 106 mm - inside 11 mm

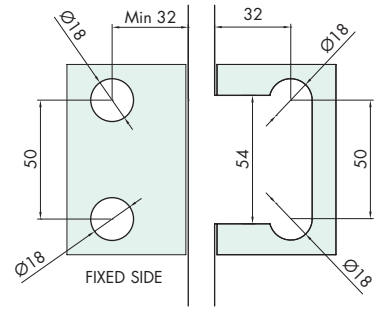
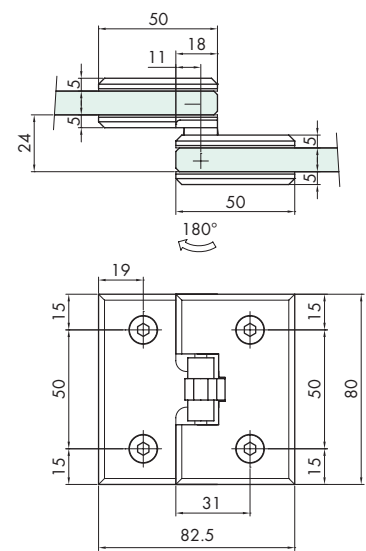
For glass 6/10 mm **Q.ty** 1 Pc



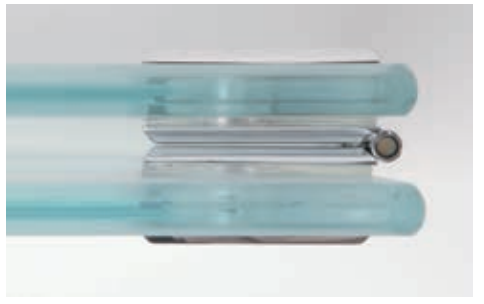


HINGE 32 OVERLAPPED glass/glass - in-line

Material: OT58 brass, CNC machined
 Features: fixed body and articulated body with rotation - 90° + 90°.
 Complete with gaskets: thickness 1 and 2 mm
 Finish: chrome, gold, satin nickel finish, bronze

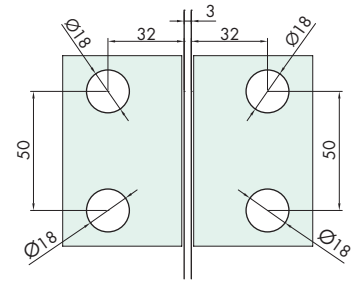
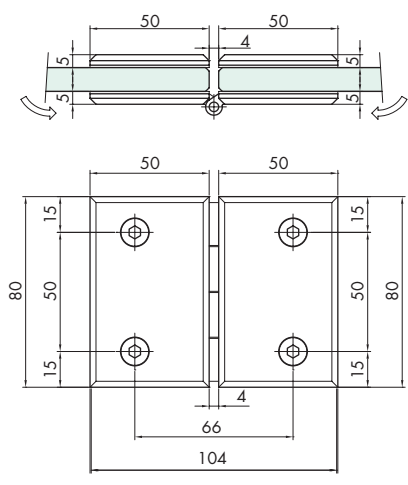


Art.	Dimensions	For glass	Q.ty
CER32	H 80x80 x L 50x50 mm - inside 11 mm	6/10 mm	1 Pc



HINGE 33 FOLDING glass/glass - in-line

Material: OT58 brass, CNC machined with silver brazing
 Features: two fixed bodies with 180° rotation without stop.
 Complete with gaskets: thickness 1 and 2 mm
 Finish: chrome, gold, satin nickel finish, bronze

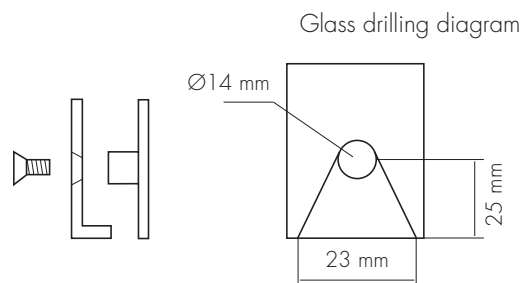


Art.	Dimensions	For glass	Q.ty
CER33	H 80 x L 104 mm - inside 11 mm	6/10 mm	1 Pc



SAFETY GLASS CLAMP 40 x 50

Material: brass, CNC machined
Dimensions: height 50 mm, width 40 mm, internal thickness 11 mm
For glass: 6/10 mm
Complete with 1 mm and 2 mm thick gaskets
Finish: chrome, gold, satin nickel finish, bronze

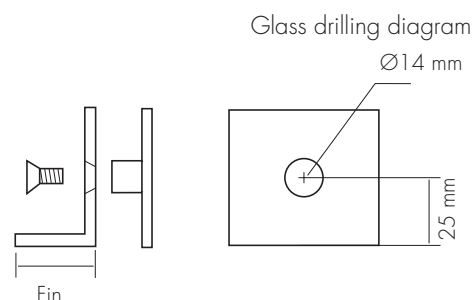


Art.	Dimensions	Cylinder	Inside	For glass	Q.ty
MORS001	L 40 x H 50 - Internal fin Th 4 mm	Ø11 mm	11 mm	6/10	1 Pc



SAFETY GLASS CLAMP 40 x 50 with fin - edge mounting

Material: brass, CNC machined
Dimensions: height 50 mm, width 40 mm, internal thickness 11 mm
For glass: 6/10 mm
Fin: 14 or 27 mm
Complete with 1 mm and 2 mm thick gaskets
Finish: chrome, gold, satin nickel finish, bronze

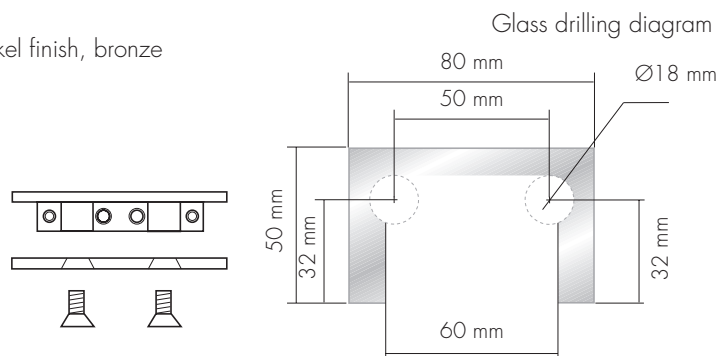


Art.	Dimensions	Cylinder	Inside	For glass	Q.ty
MORS002	L 40 x H 50 - Fin 14 mm	Ø11 mm	11 mm	6/10	1 Pc
MORS0023	L 40 x H 50 - Fin 27 mm	Ø11 mm	11 mm	6/10	1 Pc



SAFETY GLASS CLAMP 80 x 50

Material: brass, CNC machined
Dimensions: height 50 mm, width 80 mm, internal thickness 11 mm
For glass: 6/10 mm
Complete with 1 mm and 2 mm thick gaskets
Possibility to anchor to brass plate L 45 x H 80 x thickness 4 mm of hinges Art. CER26 - CER27
Finish: chrome, gold, satin nickel finish, bronze

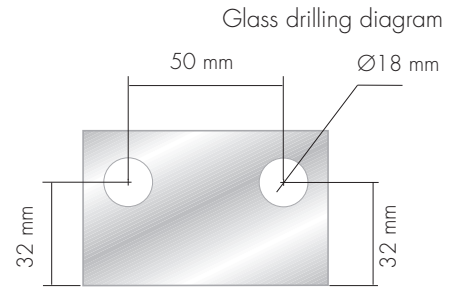
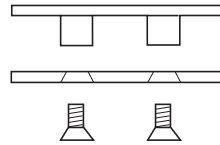


Art.	Dimensions	Cylinder	Inside	For glass	Q.ty
MORS003	L 80 x H 50 - Internal fin Th 4 mm	Ø13 mm	11 mm	6/10	1 Pc



SAFETY GLASS CLAMP 80 x 50 with fin

Material: brass, CNC machined
 Dimensions: height 50 mm, width 80 mm, internal thickness 11 mm, with 30 mm fin
 For glass: 6/10 mm
 Complete with 1 mm and 2 mm thick gaskets
 Finish: chrome, gold, satin nickel finish, bronze

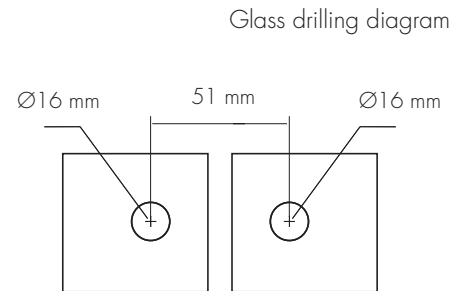
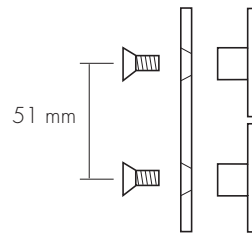


Art.	Dimensions	Cylinder	Inside	For glass	Q.ty
MORS033	L 80 x H 50 Fin 27 mm	Ø13 mm	11 mm	6/10	1 Pc



DOUBLE SAFETY GLASS CLAMP 101 x 40

Material: brass, CNC machined
 Dimensions: height 40 mm, width 101 mm, internal thickness 11 mm
 For glass: 6/10 mm
 Complete with 1 mm and 2 mm thick gaskets
 Finish: chrome, gold, satin nickel finish, bronze

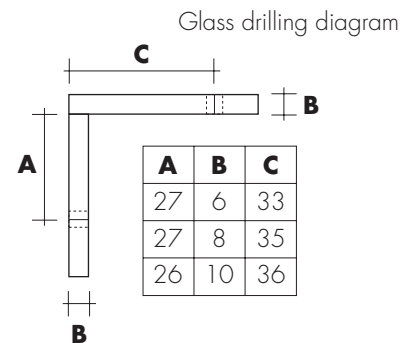
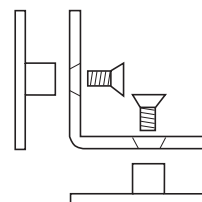


Art.	Dimensions	Cylinder	Inside	For glass	Q.ty
MORS004	L 101 x H 40 mm	Ø11 mm	11 mm	6/10	1 Pc



DOUBLE SAFETY GLASS CLAMP AT 90°

Material: brass, CNC machined
 Dimensions: height 40 mm, width 50 x 50 mm, internal thickness 11 mm
 For glass: 6/10 mm
 Complete with 1 mm and 2 mm thick gaskets
 Finish: chrome, gold, satin nickel finish, bronze



A/C = Hole distance
 B = Glass

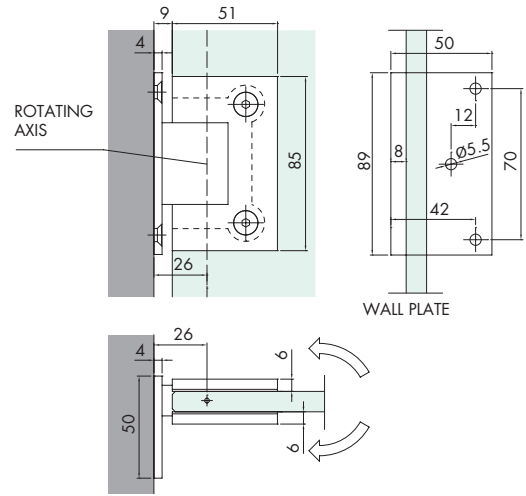
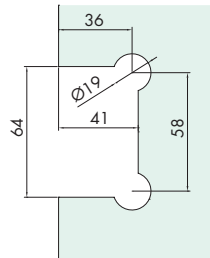
Art.	Dimensions	Cylinder	Inside	For glass	Q.ty
MORS005	L 50x50xH40 mm	Ø11 mm	11 mm	6/10	1 Pc

ZAMAK SNAP HINGE 31

Material: zamak

Features: glass/wall hinge with side plate screwed to the hinge body. Hinge body made of cast zamak with CNC finished parts. Rotation +90° -90°. Anchoring plate screwed to the hinge body 50 x 89 mm. Complete with 1 mm thick gaskets.

Finish: chrome



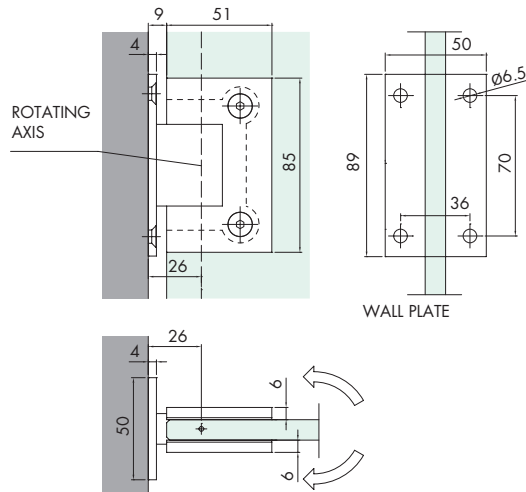
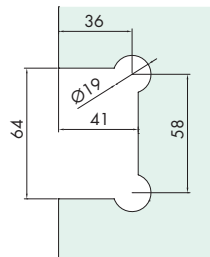
Art.	Dimensions	For glass	Q.ty
CERZ31	L 52 mm H 85 mm	8/ 10 mm	1 Pc

ZAMAK SNAP HINGE 33

Material: zamak

Features: glass/wall hinge with central plate screwed to the hinge body. Hinge body made of cast zamak with CNC finished parts. Rotation +90° -90°. Anchoring plate screwed to the hinge body 50 x 89 mm. Complete with 1 mm thick gaskets.

Finish: chrome



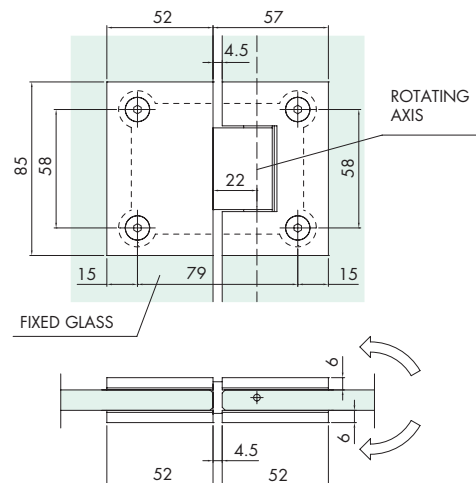
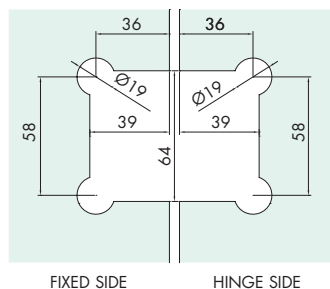
Art.	Dimensions	For glass	Q.ty
CERZ33	L 52 mm H 85 mm	8/ 10 mm	1 Pc

ZAMAK SNAP HINGE 3180

Material: zamak

Features: in-line glass/glass hinge. Hinge body made of cast zamak with CNC finished parts. Rotation +90° -90°. Complete with 1 mm thick gaskets.

Finish: chrome

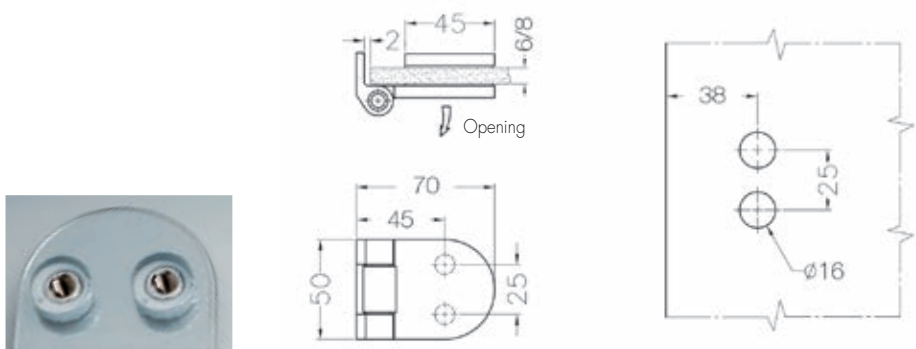


Art.	Dimensions	For glass	Q.ty
CERZ3180	L 109 mm H 85 mm	8/ 10 mm	1 Pc



800 SERIES INTERNAL HINGE

Material: brass
 Features: wall/glass hinge with internal opening. CNC finished cast hinge body, mechanically processed remaining parts. Rotation +90°. Rotation pin Ø8 mm as anchoring to the hinge body. Complete with 2 x 1 mm transparent gaskets. Finish: chrome, imitation stainless steel, gold



Eccentric gaskets for a better adjustment of the hinge in the hole.

Art.	Dimensions	Glass	max door width	Q.ty
SFH801	L 70 mm H 50 mm	6/8 mm	715 mm	1 Pc

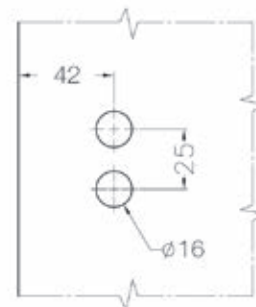
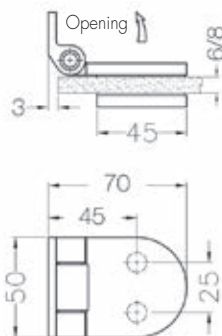
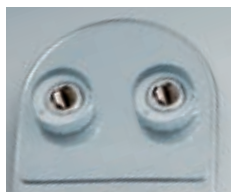


800 SERIES EXTERNAL HINGE

Material: brass

Features: external glass/wall hinge. CNC finished cast hinge body, mechanically processed remaining parts. Rotation -90°. Rotation pin Ø8 mm as anchoring to the hinge body.

Complete with 2 x 1 mm transparent gaskets. Colour: chrome, imitation stainless steel, gold



Eccentric gaskets for a better adjustment of the hinge in the hole.

Art.	Dimensions	Glass	max door width	Q.ty
SFH802	L 70 mm H 50 mm	6/8 mm	715 mm	1 Pc

800 SERIES IN-LINE/90° EXTERNAL HINGE

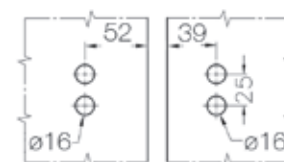
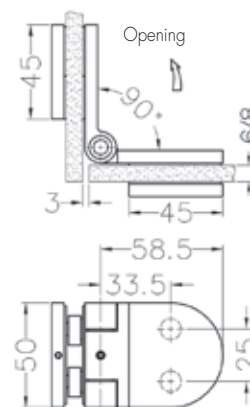
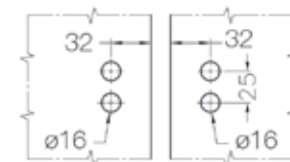
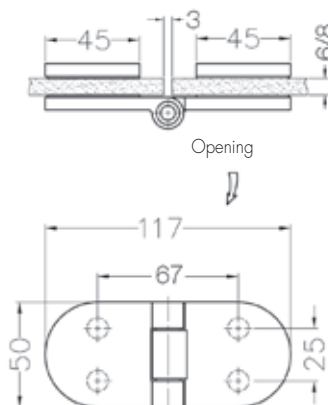
Material: brass

Features: glass/glass hinge with external opening.

CNC finished cast hinge body, mechanically processed remaining parts.

Rotation +180°. Rotation pin Ø8 mm as anchoring to the hinge body. Complete with 4 x 1 mm transparent gaskets.

Finish: chrome, imitation stainless steel, gold



Eccentric gaskets for a better adjustment of the hinge in the hole.

Art.	Dimensions	Glass	max door width	Q.ty
SFH803	L 117 mm H 50 mm	6/8 mm	715 mm	1 Pc

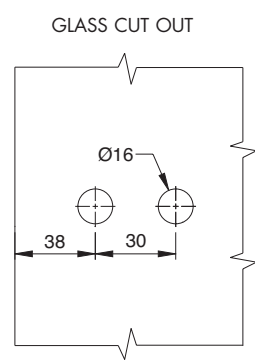
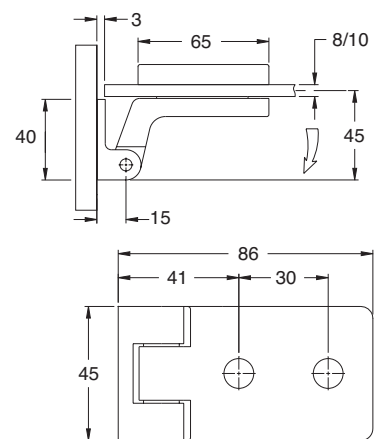
200 SERIES HINGE WITH LONG NECK

Material: brass

Features: glass/wall hinge with neck. CNC finished cast hinge body, mechanically processed remaining parts.

Rotation +90°. Rotation pin 8 mm. Wall plate 45x40 mm. Complete with 1 x 2 mm gasket and 2 x 1 mm black gaskets.

Finish: chrome, imitation stainless steel



Art.	Dimensions	Glass	Capacity	max door width	Q.ty
SFH100	L 86 mm H 45 mm	8/10 mm	50 kg	815 mm	1 Pc

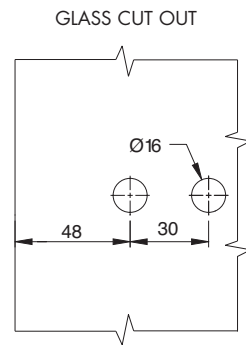
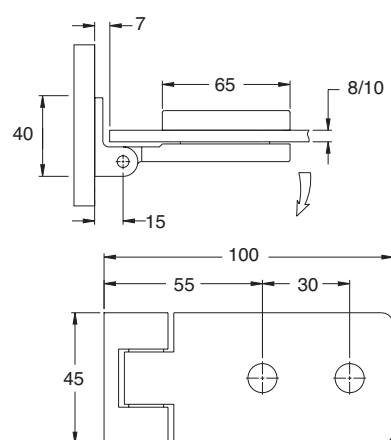
200 SERIES FRONT HINGE

Material: brass

Features: glass/wall hinge with front opening. CNC finished cast hinge body, mechanically processed remaining parts.

Rotation +90°. Rotation pin 8 mm. Wall plate 45x40 mm. Complete with 1 x 2 mm gasket and 2 x 1 mm black gaskets.

Colour: chrome, imitation stainless steel

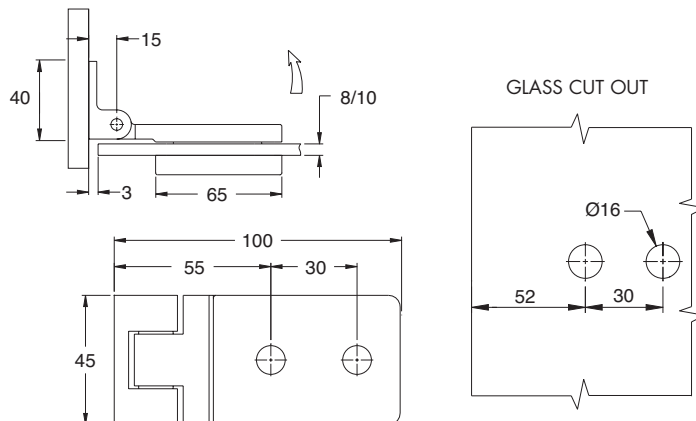


Art.	Dimensions	Glass	Capacity	max door width	Q.ty
SFH101	L 100 mm H 45 mm	8/10 mm	50 kg	815 mm	1 Pc

200 SERIES BACK HINGE

Material: brass

Features: glass/wall hinge with back opening. CNC finished cast hinge body, mechanically processed remaining parts.
 Rotation -90°. Rotation pin 8 mm. Wall plate 45x40 mm. Complete with 1 x 2 mm gasket and 2 x 1 mm black gaskets.
 Colour: chrome, imitation stainless steel

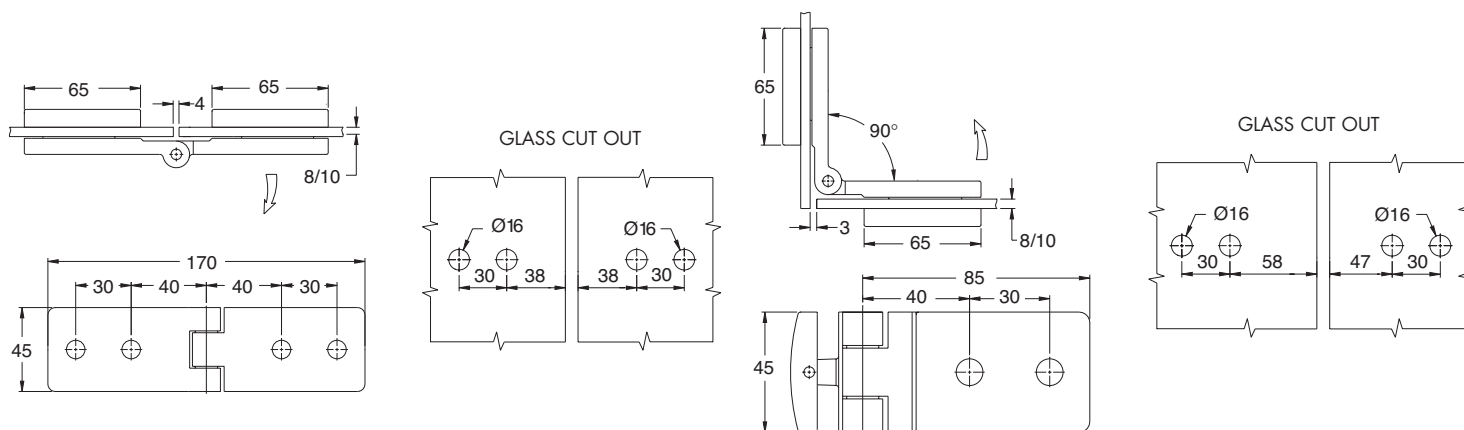


Art.	Dimensions	Glass	Capacity	max door width	Q.ty
SFH102	L 100 mm H 45 mm	8/10 mm	50 kg	815 mm	1 Pc

200 SERIES 90°/180° EXTERNAL HINGE

Material: brass

Features: glass/glass hinge with external opening. Cast brass hinge body, mechanically processed remaining parts.
 Rotation + 180°. Rotation pin 8 mm. Complete with 2 x 2 mm gasket and 4 x 1 mm black gaskets.
 Finish: chrome, imitation stainless steel



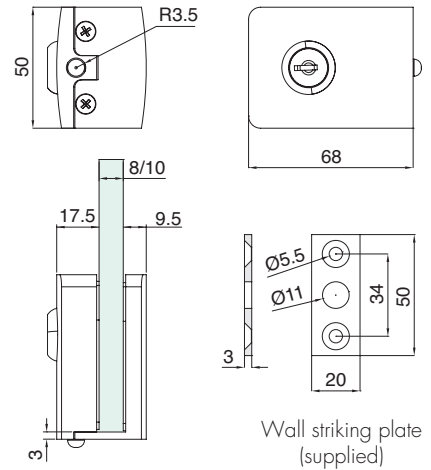
Art.	Dimensions	Glass	Capacity	max door width	Q.ty
SFH103	L 170 mm H 45 mm	8/10 mm	50 kg	815 mm	1 Pc





200 SERIES LATCH WITH LOCK

Material: brass
 Features: glass/wall latch with key.
 Body made of cast brass,
 mechanically processed remaining parts.
No glass drilling. Right or left position.
 Glass edge plate thickness 3 mm.
 Complete with 2 mm thick gaskets.
 Finish: chrome, imitation stainless steel

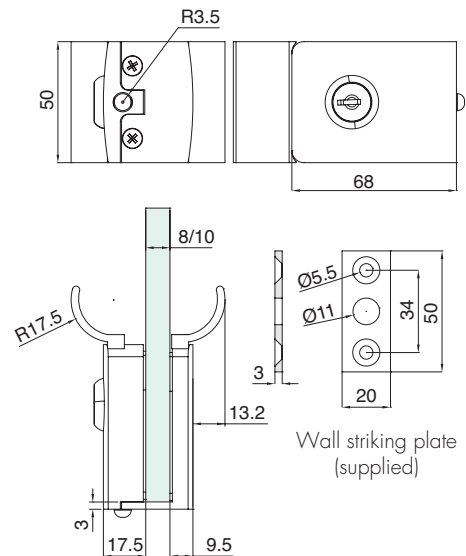


Art.	Dimensions	Pin	Glass	Q.ty
CLK20	H 50 mm L 68 mm	Ø 7 x L 18 mm	8/10 mm	1 Pc



200 SERIES LOCK WITH HANDLE AND LATCH

Material: brass
 Features: glass/wall latch with key.
 Handle to ease door opening.
 Body made of cast brass,
 mechanically processed remaining parts.
No glass drilling. Right or left position.
 Glass edge plate thickness 3 mm.
 Complete with 2 mm thick gaskets.
 Finish: chrome, imitation stainless steel

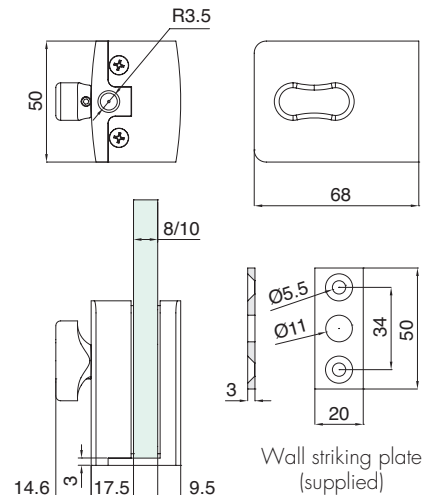


Art.	Dimensions	Handles dimensions	Pin	Glass	Q.ty
CLKM27	H 50 mm L 68 mm	H 50 mm L 30 mm P 26 mm	Ø 7 x L 18 mm	8/10 mm	1 Pc



200 SERIES LOCK WITH KNOB

Material: brass
 Features: glass/wall latch with turning knob.
 Body made of cast brass,
 mechanically processed remaining parts.
No glass drilling. Right or left position.
 Glass edge plate thickness 3 mm.
 Complete with 2 mm thick gaskets.
 Finish: chrome, imitation stainless steel

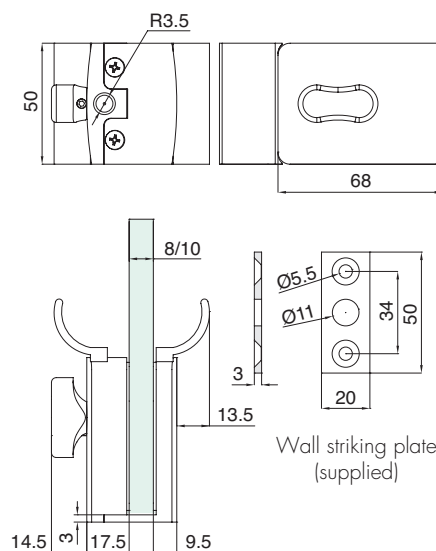


Art.	Dimensions	Pin	Glass	Q.ty
CLS245	H 50 mm L 68 mm	Ø 7 x L 18 mm	8/10 mm	1 Pc



200 SERIES LOCK WITH HANDLE AND KNOB

Material: brass
 Features: glass/wall latch with turning knob.
 Body made of cast brass, mechanically processed remaining parts.
 Handle to ease door opening.
No glass drilling. Right or left position.
 Glass edge plate thickness 3 mm.
 Complete with 2 mm thick gaskets.
 Finish: chrome, imitation stainless steel

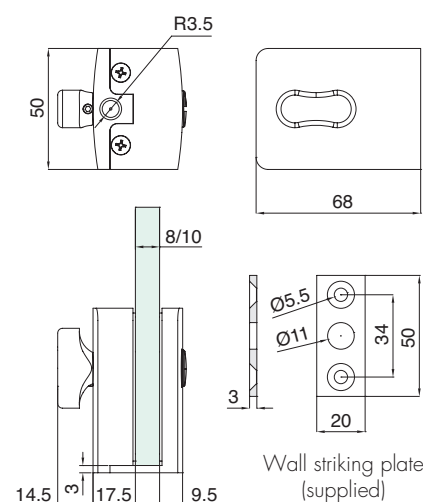


Art.	Dimensions	Handles dimensions	Pin	Glass	Q.ty
CPM247	H 50 mm L 68 mm	H 50 mm L 30 mm P 26 mm	Ø 7 x L 18 mm	8/10 mm	1 Pc



200 SERIES PRIVACY LATCH VACANT/ENGAGED

Material: brass
 Features: glass/wall latch with turning knob on one side and red/green vacant engaged indicator on the other.
 Body made of cast brass, mechanically processed remaining parts.
No glass drilling. Right or left position.
 Glass edge plate thickness 3 mm.
 Complete with 2 mm thick gaskets.
 Finish: chrome, imitation stainless steel

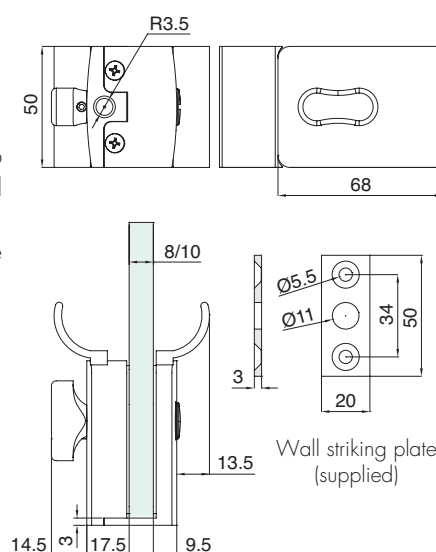


Art.	Dimensions	Pin	Glass	Q.ty
CLS24	H 50 mm L 68 mm	Ø 7 x L 18 mm	8/10 mm	1 Pc



200 SERIES PRIVACY LATCH VACANT/ENGAGED WITH HANDLE

Material: brass
 Features: glass/wall latch with turning knob on one side and red/green vacant engaged indicator on the other. Body made of cast brass, mechanically processed remaining parts. Handle to ease door opening. Right or left position.
No glass drilling.
 Glass edge plate thickness 3 mm.
 Complete with 2 mm thick gaskets.
 Finish: chrome, imitation stainless steel



Art.	Dimensions	Handles dimensions	Pin	Glass	Q.ty
CLM25	H 50 mm L 68 mm	H 50 mm L 30 mm P 26 mm	Ø 7 x L 18 mm	8/10 mm	1 Pc



SMALL STRIKE BOX FOR HINGED DOORS

Material: brass

Features: strike box for closing a double glass door.

Applicable with closures:

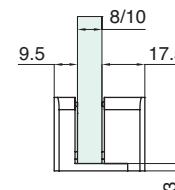
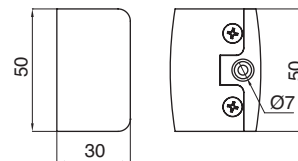
Art. CLK20, CLKM27, CLS245, CPM247, CLS24, CIM25.

No glass drilling

Glass edge plate thickness 3 mm.

Complete with 1 and 2 mm thick gaskets.

Finish: chrome, imitation stainless steel



Art.	Dimensions
CLS70	H 50 mm L 30 mm

Glass	Q.ty
8/10 mm	1 Pc



BIG STRIKE BOX FOR HINGED DOORS

Material: brass

Features: strike box for closing a double glass door.

Applicable with closures:

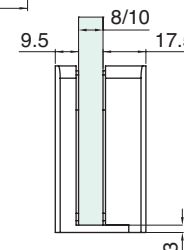
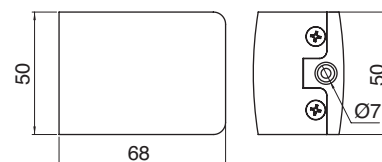
Art. CLK20, CLKM27, CLS245, CPM247, CLS24, CIM25.

No glass drilling

Glass edge plate thickness 3 mm.

Complete with 1 and 2 mm thick gaskets.

Finish: chrome, imitation stainless steel



Art.	Dimensions
CLS78	H 50 mm L 68 mm

Glass	Q.ty
8/10 mm	1 Pc





SYSTEMS FOR
GLASS ENCLOSURES
SYSTEMS FOR
GLASS ENCLOSURES
STEEL
SYSTEMS FOR
ALUMINIUM
SYSTEMS FOR
SYSTEMS FOR
GLASS ENCLOSURES
PULL HANDLES
GLASS ENCLOSURES
SYSTEMS FOR
GLASS ENCLOSURES



PIVOT-UP HINGE 2261 RIGHT OR LEFT

Material: aluminum and zinc alloy

Features:

- Wing lifting when opening
- Right or left hinge with silicone all along the compensating profile
- Water containing profile 1000mm
- +90 - 90 opening
- Max glass dimensions h 2261 x l 900mm
- Glass thickness 6mm
- Wing max weight 30 kg

Kit compound as follows:

- 3 2300mm high aluminum profiles
- Zinc alloy and plastic accessories for compensating profile and lockdown screw
- 3 Screws and caps to connect the connecting profile to the compensating profile
- Water containing profile item PTU26L 1000mm long
- Gasket GM6030 1000mm long

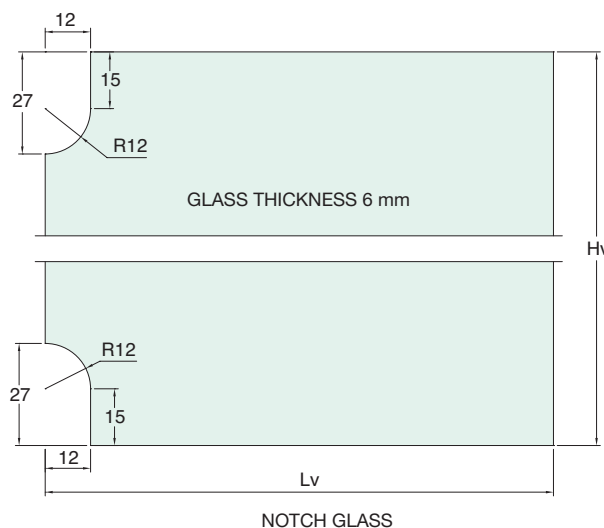
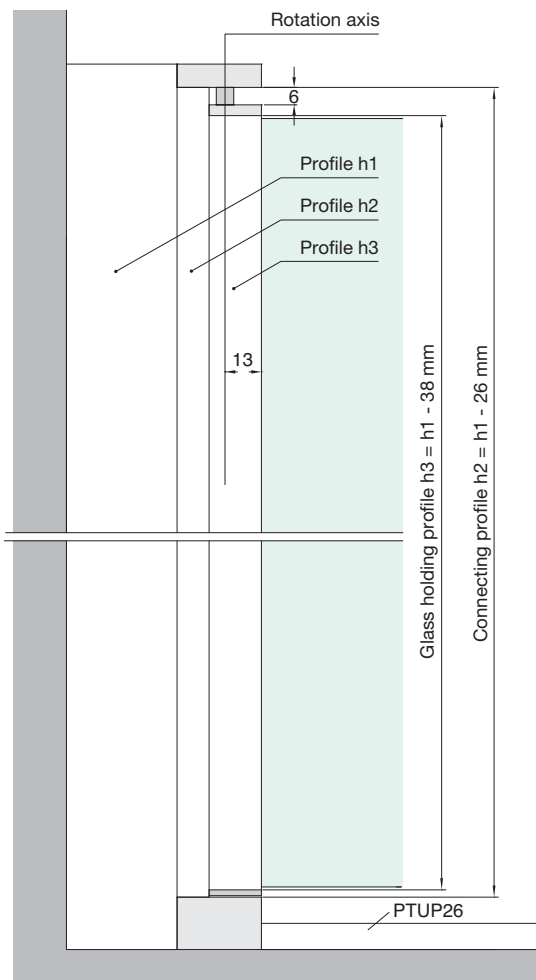
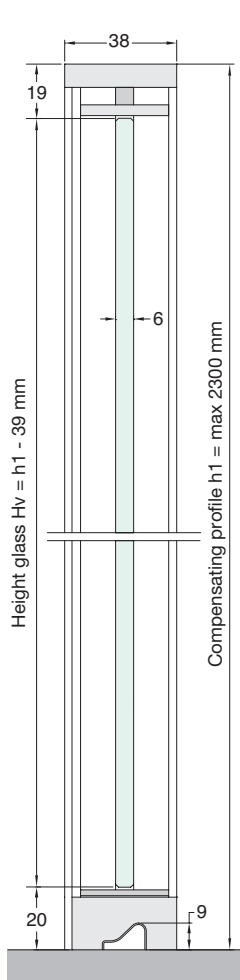
Finish: polished aluminum



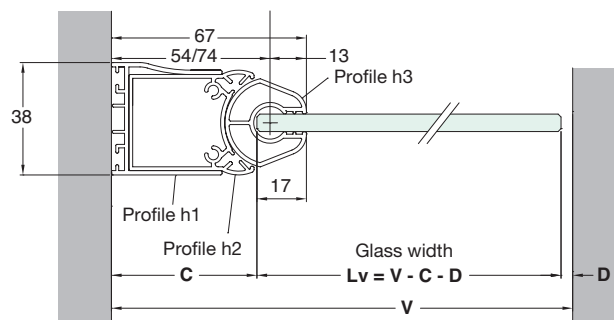
Schéma Gauche

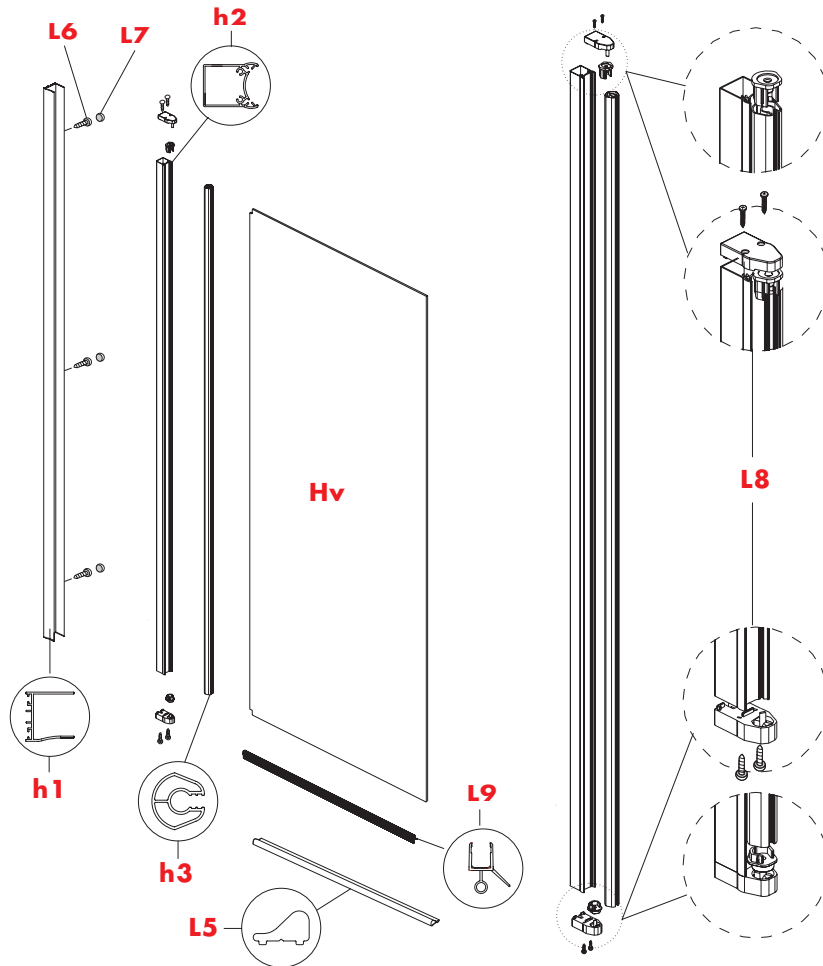


Art.	Description	Q.ty
PTUP2261-DX	Right aluminum bottom to top hinge 2300 mm high	1 Pc
PTUP2261-SX	Left aluminum bottom to top hinge 2300 mm high	1 Pc



C = min 50 mm for all closed compensation profile
max 70 mm for all open compensation profile
Also consider the size of the screw head





- h1**: compensating profile
- h2**: connecting profile
- h3**: glass holding profile
- Hv**: glass
- L5**: L 1000mm water containing profile
- L6**: screw M4 to connect the connecting profile to the compensating profile
- L7**: screw cap
- L8**: zinc alloy and plastic accessories kit, screws M4
- L9**: GM6030 L 1000mm gasket
- h2** = h1 - 26
- h3** = h1 - 38
- Hv** = h1 - 39



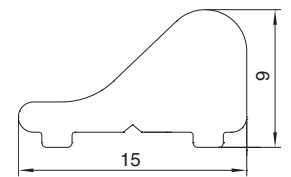
DAM-UP PROFILE

Material: aluminum

Features: aluminum profile to be fixed with a damp resistant bi adhesive or silicone

Used to prevent water from flowing out when combined with an appropriate gasket item GM6030

Finish: polished aluminum



Art.
PTUP26

Description
L 2000 mm aluminum profile

Q.ty
1 Pc

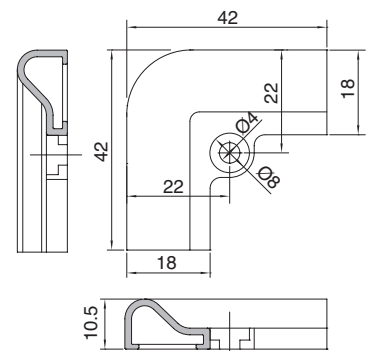


CONNECTION-UP CORNER

Material: plastic aluminum

Features: corner connection with housing for dam-UP profile to be fixed to the floor or on the shower base by means of a screw. Aluminum screw cap included

Finish: polished chrome



Art.
PTUP30

Description
Corner connection - up at 90° for DAM-UP profile

Q.ty
1 Pc

PIVOT-UP PIVOT HINGE FOR SHOWER ENCLOSURES - 6 mm GLASS



LEFT



LEFT

SYSTEMS FOR
BRUSHRADES

SYSTEMS FOR
OUTDOORS

SYSTEMS FOR
GLASS PARTITIONS

STEEL
SYSTEMS FOR
SLIDING DOORS

ALUMINIUM
SYSTEMS FOR
SLIDING DOORS

SYSTEMS FOR
HINGED DOORS

PULL HANDLES
AND KNOBS

SYSTEMS FOR
SHOWER PARTITIONS



PIVOT-BATH

Material: zinc alloy and aluminum

Features:

- Hinge with silicone all along the compensating profile
- +90 - 90 opening
- Max glass dimensions h 1964 x l 800mm
- Glass thickness 6mm
- Wing max weight 25 kg

Kit compound as follows:

- 3 2000mm high aluminum profiles
- Zinc alloy and plastic accessories for compensating profile
- Screws and caps to connect the connecting profile to the compensating profile
- Gasket GM6030 1000mm long
- Water containing profile 1000mm

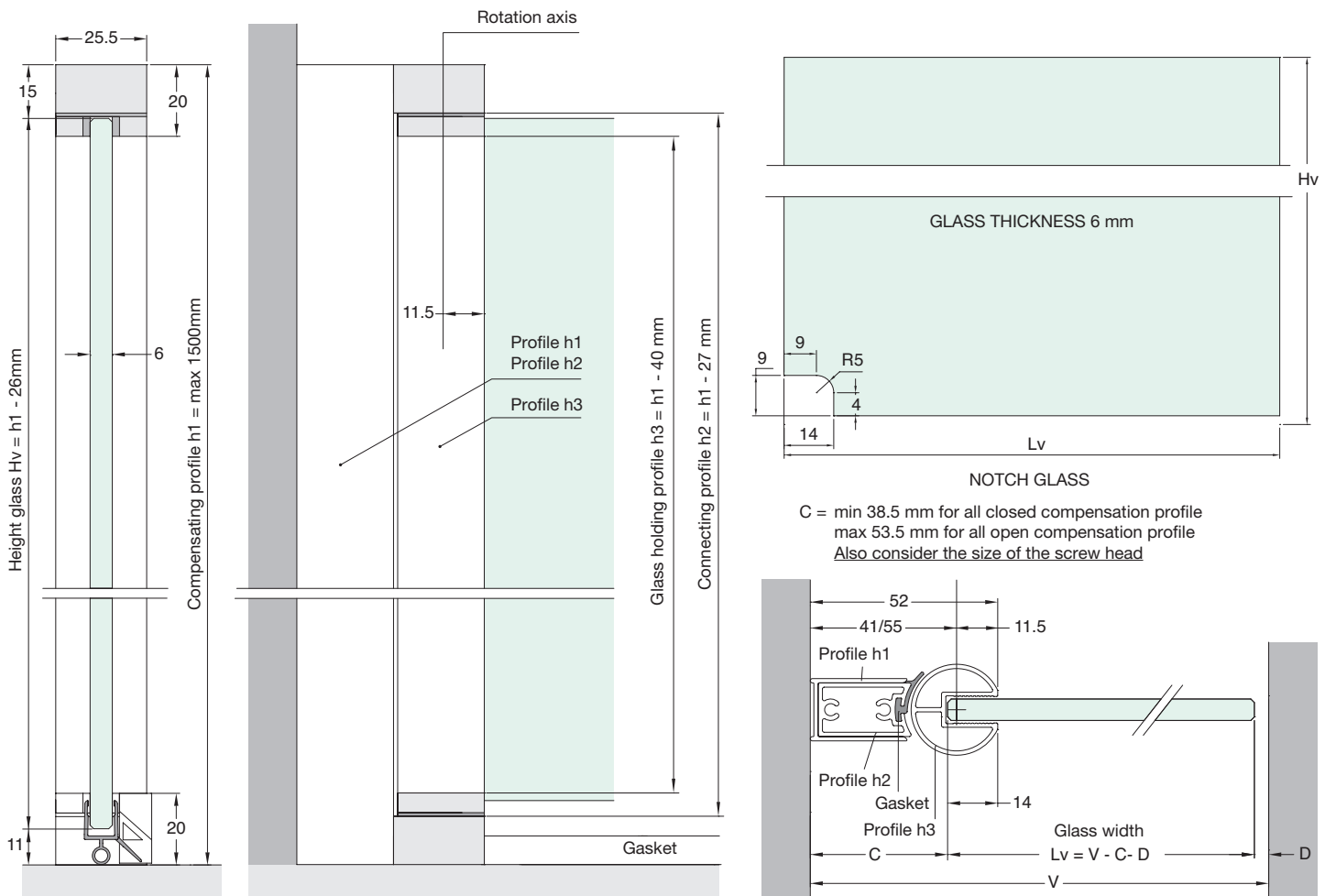
Finish: polished aluminum



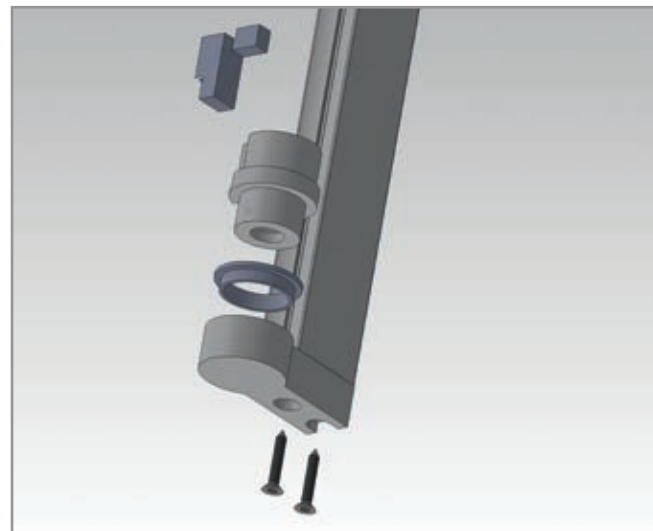
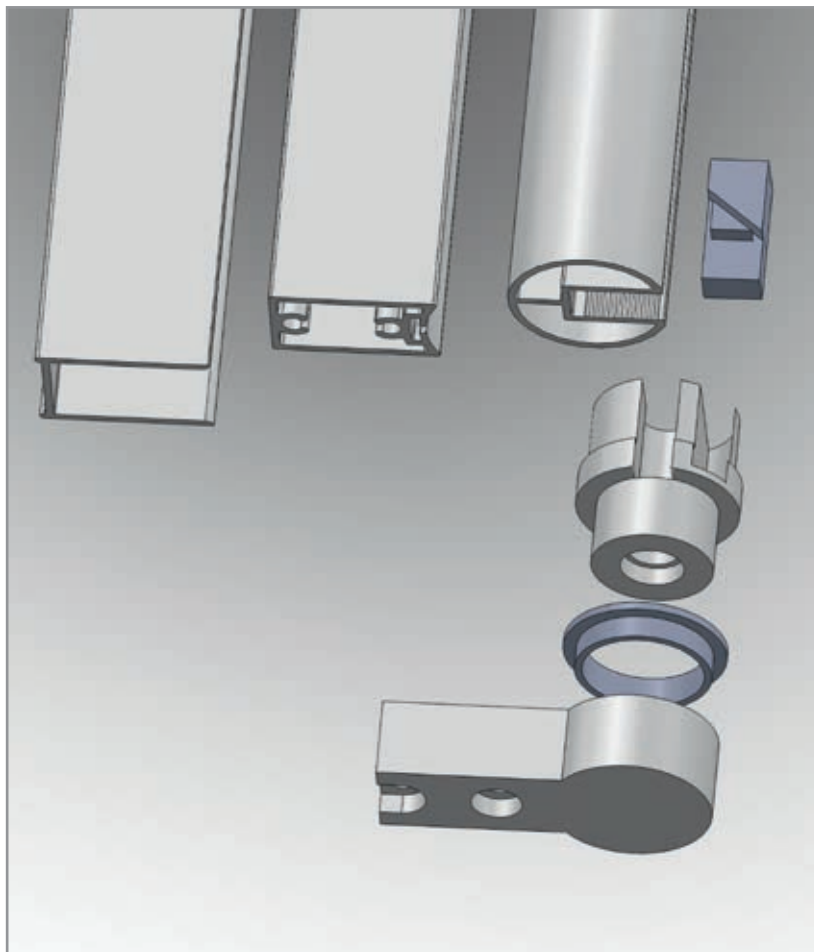
Art.
PTBH1964

Description
Aluminum bottom to top hinge 1500 mm high

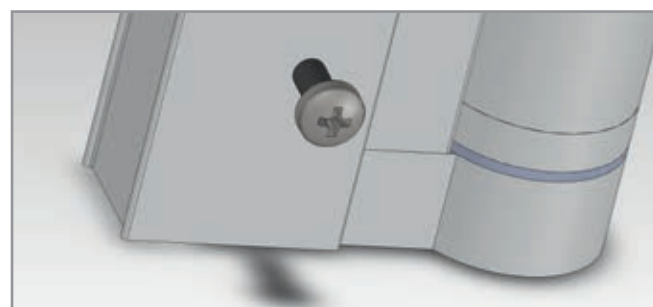
Q.ty
1 Pc



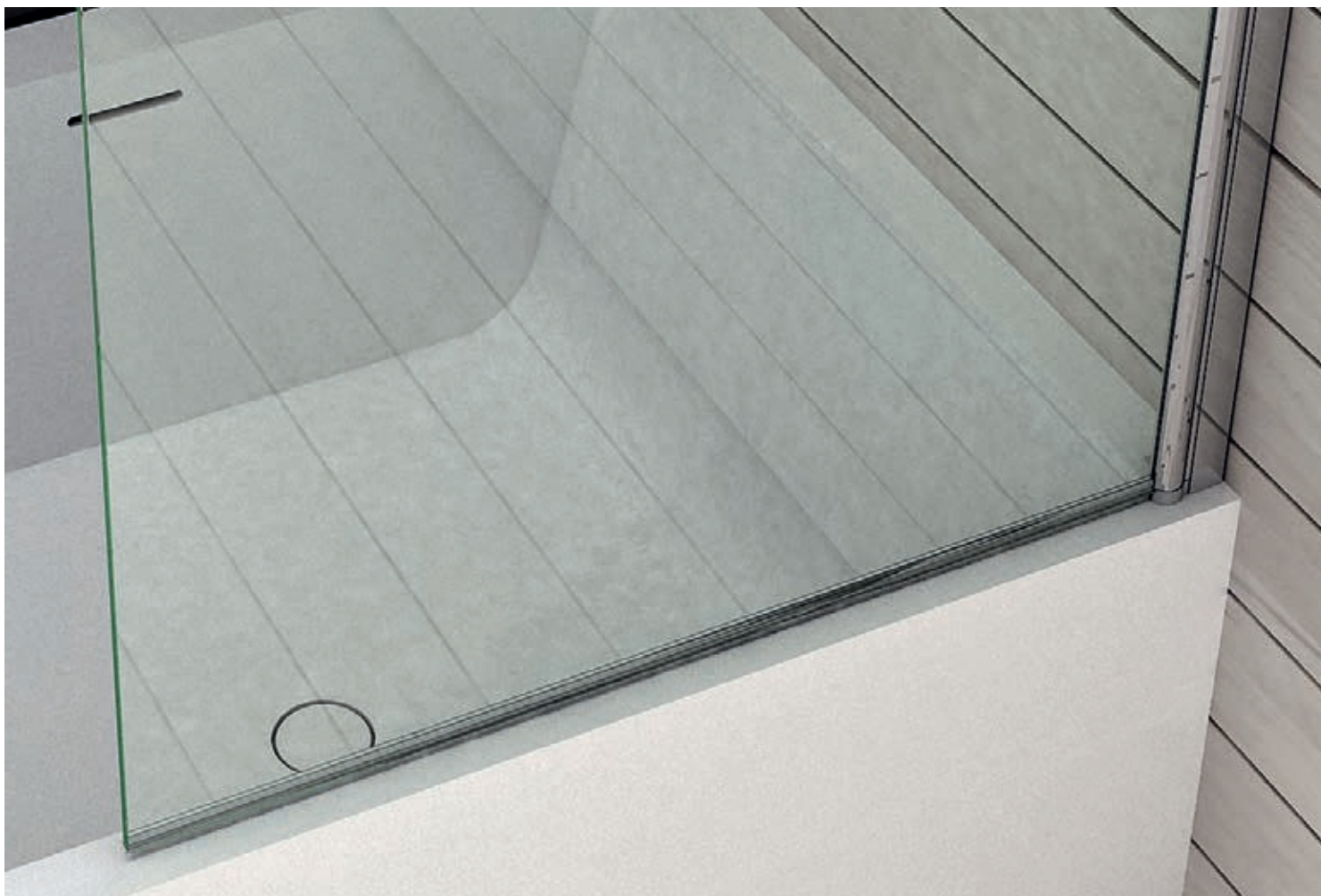
INSTALLATION DIAGRAM



Fix the two plugs in the connecting profile using 4 M4 self-tapping screws, two for each plug as in the picture



Fixing between compensating profile and connecting profile using 3 M4 screws.





SYSTEMS FOR
BRILLIANTDES

SYSTEMS FOR
OUTDOORS

SYSTEMS FOR
GLASS PARTITIONS

STEEL
SYSTEMS FOR
SLIDING DOORS

ALUMINIUM
SYSTEMS FOR
SLIDING DOORS

SYSTEMS FOR
HINGED DOORS

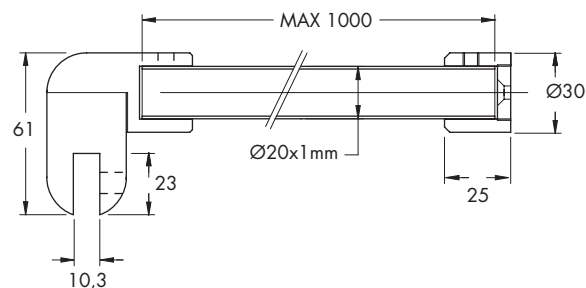
PULL HANDLES
AND KNOBS

SYSTEMS FOR
SHOWER PARTITIONS



**WALL GLASS SAFETY ROD
SOLEIL ROYAL SERIES
Ø20 X 1000 mm**

Structure body: AISI 304 steel
Features: standard bar length 1000 mm,
any size on request.
Finish: satin-finished steel

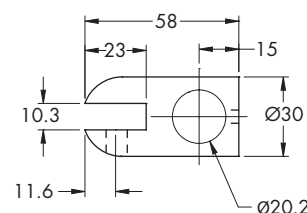


Art.	Dimensions	Glass	Q.ty
MFAC1000	Ø20 mm x L 1000 H mm	8/10 mm	1 Pc



**FIXED GLASS CONNECTION FOR SAFETY ROD
SOLEIL ROYAL SERIES**

Structure body: AISI 304 steel
Features: feed-through glass clamp for Ø20 mm pipes.
Finish: CNC steel

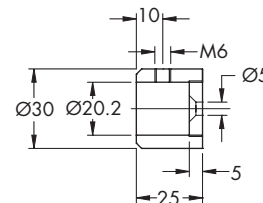


Art.	Dimensions	For pipe Ø	Glass	Q.ty
MFCC13	Ø30 mm x H 58 mm	20 mm	8/10 mm	1 Pc



WALL CONNECTION FOR SAFETY ROD SOLEIL ROYAL SERIES

Structure body: AISI 304 steel
 Features: wall connection for Ø20 mm pipes.
 Finish: CNC steel

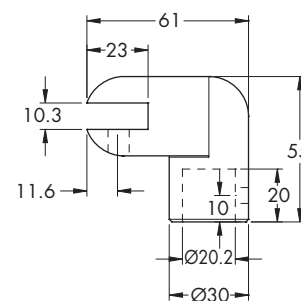


Art.	Dimensions	For pipe Ø	Q.ty
MFCC11	Ø30 mm x L 25 mm	20 mm	1 Pc



GLASS CONNECTION FOR SAFETY ROD SOLEIL ROYAL SERIES

Structure body: AISI 304 steel
 Features: glass clamp for Ø20 mm pipes.
 Finish: CNC steel



Art.	Dimensions	For pipe Ø	Glass	Q.ty
MFCC17	Ø30 mm x L 55 mm x H 61 mm	20 mm	8/10 mm	1 Pc



SAFETY ROD Ø20 mm

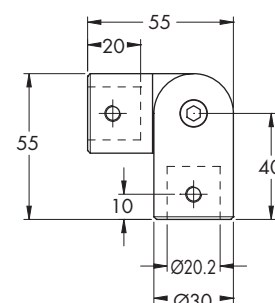
Material: AISI 304 steel
 Rod supplied in length 1000/2000 mm
 Finish: CNC steel

Art.	Dimensions	Ø	Q.ty
MFCC20	L 1000	20 mm	1 Pc
MFCC28	L 2000	20 mm	1 Pc



ARTICULATED JOINT FOR SOLEIL ROYAL SERIES SAFETY ROD

Structure body: AISI 304 steel
 Features: joint for Ø20 mm pipes.
 Finish: CNC steel



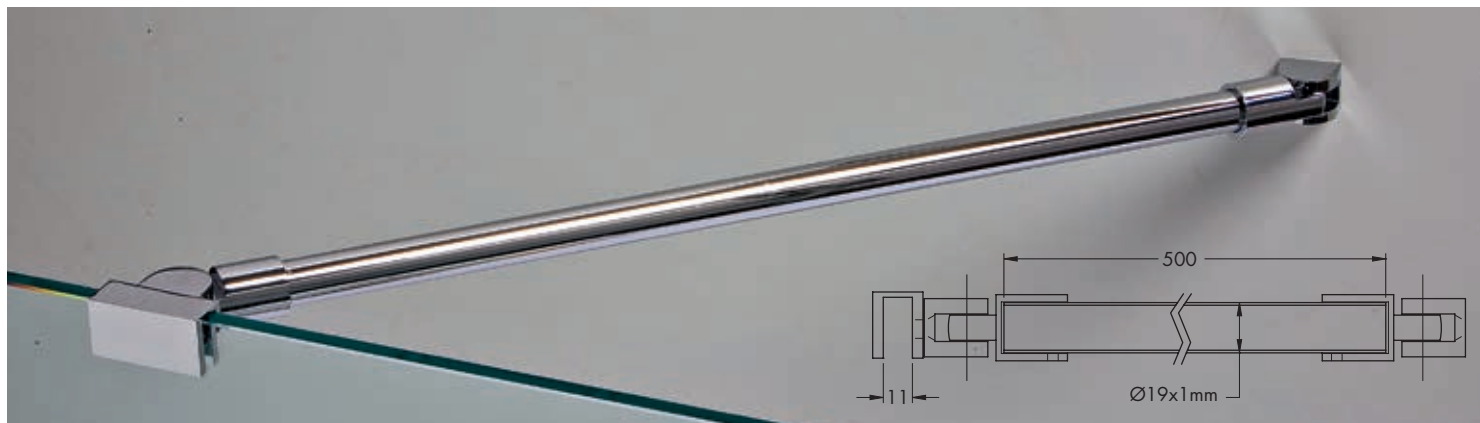
Art.	Dimensions	For pipe Ø	Q.ty
MFCC15	Ø30 mm x H 55 mm x 55 mm	20 mm	1 Pc

ARTICULATED WALL GLASS SAFETY ROD Ø19 X 500 mm

Material: brass.

Features: two articulated bodies allow inclined anchoring. The standard bar length is 500 mm, different sizes on request.

Finish: chrome



Art.	Rod dimensions	Glass	Q.ty
MF1515	L 500 x Ø19 mm	8/10 mm	1 Pc

MF 127 WALL/GLASS SAFETY ROD

Material: brass clamp and wall connection, AISI 304 polished steel rod

Features: length 1000 mm. The length may be up to you, by cutting the pipe to the desired length.

Finish: chrome/polished steel



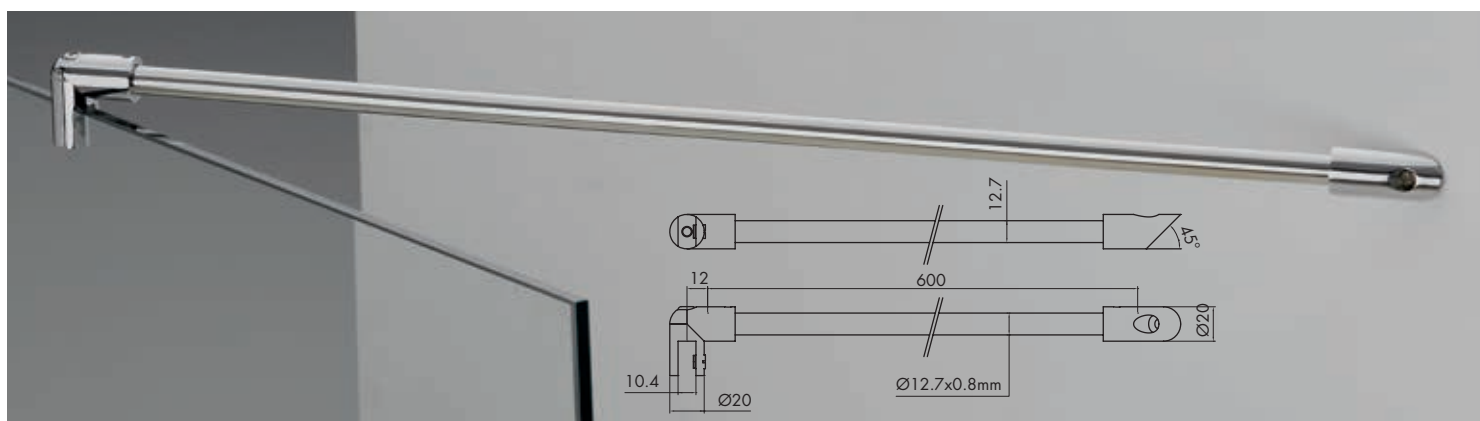
Art.	Rod dimensions	Wall connection	Clamp	Q.ty
MF127	L 1000 x Ø12.7 mm	Ø20 x 46 mm	H 20 x 30 mm inside 10.5 mm	1 Pc

MF 129 WALL/GLASS 45° SAFETY ROD

Material: brass clamp and wall connection, AISI 304 polished steel rod

Features: length 600 mm. The length may be up to you, by cutting the pipe to the desired length.

Rod fixing at 45°. Finish: chrome/polished steel



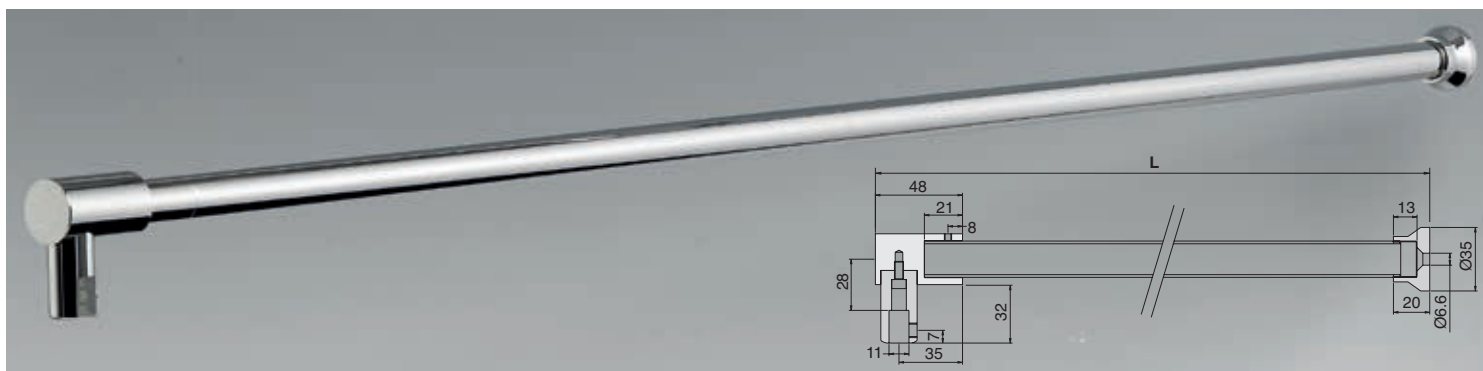
Art.	Rod dimensions	Wall connection	Clamp	Q.ty
MF129	L 600 x Ø12.7 mm	Ø20 x 46 mm	H 20 x 30 mm inside 10.5 mm	1 Pc

wall/glass SAFETY ROD

Material: brass

Features: length 1000/1300/1600, Ø20 mm. The length may be up to you, by cutting the pipe to the desired length.

Finish: chrome, satin nickel finish, gold (only for Art. MF06100)



Art.	Dimensions	Cylinder	Wall connection	Clamp	Q.ty
MF06100	L 1020 mm	Ø28 x 48 mm	Ø35 x 20 mm	H 32 x 20 mm inside 11 mm	1 Pc
MF06130	L 1,320 mm	Ø28 x 48 mm	Ø35 x 20 mm	H 32 x 20 mm inside 11 mm	1 Pc
MF06160	L 1,620 mm	Ø28 x 48 mm	Ø35 x 20 mm	H 32 x 20 mm inside 11 mm	1 Pc

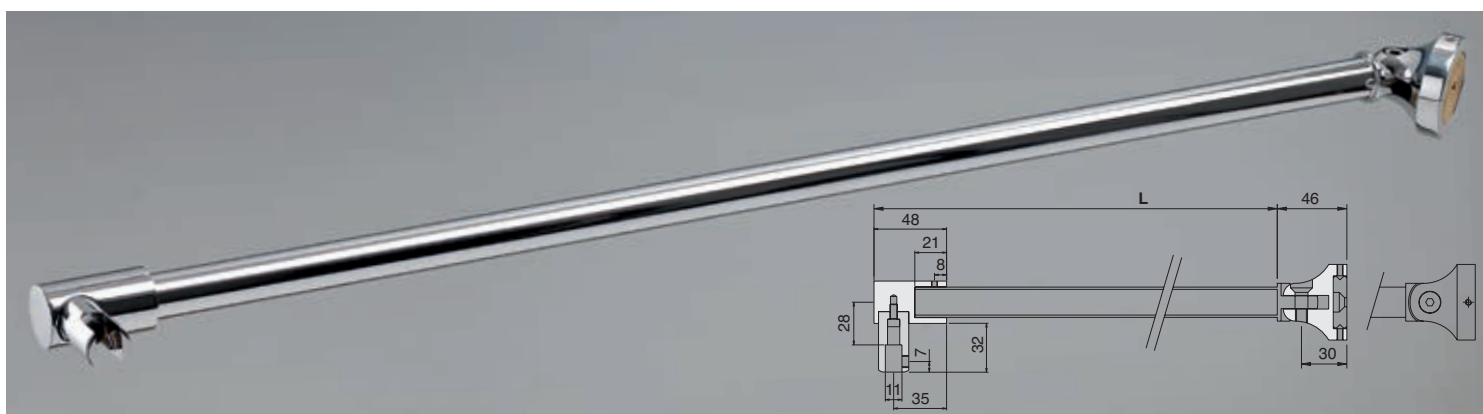
wall/glass ARTICULATED SAFETY ROD

Material: brass

Features: length 670, Ø20 mm with articulated joints - 65° 0 + 65°.

The length may be up to you, by cutting the pipe to the desired length.

Finish: chrome, satin nickel finish



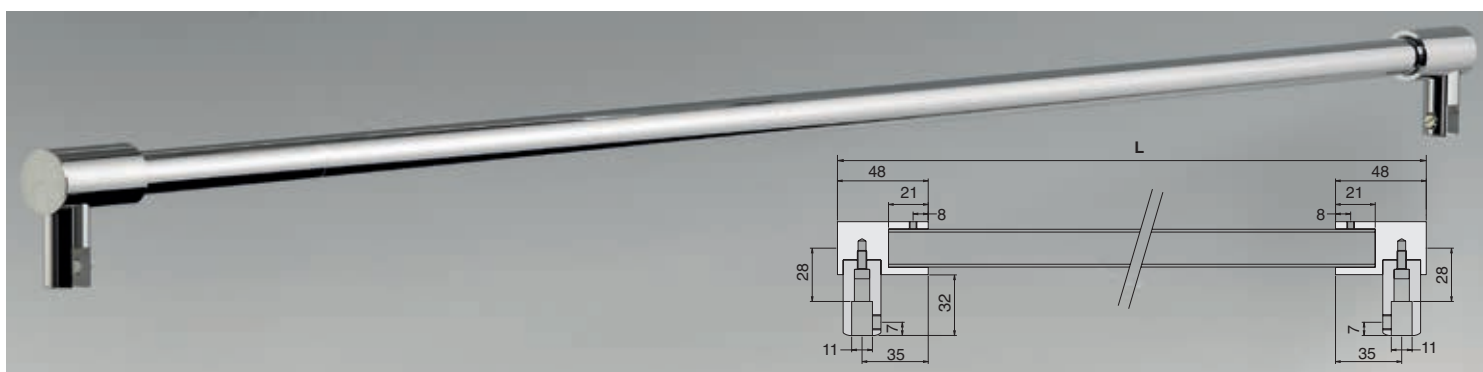
Art.	Dimensions	Cylinder	Articulated wall connection	Clamp	Q.ty
MF008670	L 670 mm	Ø28 x 48 mm	Ø50 x 30 mm	H 32 x 20 mm inside 11 mm	1 Pc

glass/glass SAFETY ROD

Material: brass

Features: length 1000/1300/1600, Ø20 mm. The length may be up to you, by cutting the pipe to the desired length.

Finish: chrome, satin nickel finish



Art.	Dimensions	Cylinder	Clamp	Q.ty
MF007100	L 1050 mm	Ø28 x 48 mm	2 x H 32 x 20 mm inside 11 mm	1 Pc
MF007130	L 1350 mm	Ø28 x 48 mm	2 x H 32 x 20 mm inside 11 mm	1 Pc
MF007160	L 1,650 mm	Ø28 x 48 mm	2 x H 32 x 20 mm inside 11 mm	1 Pc

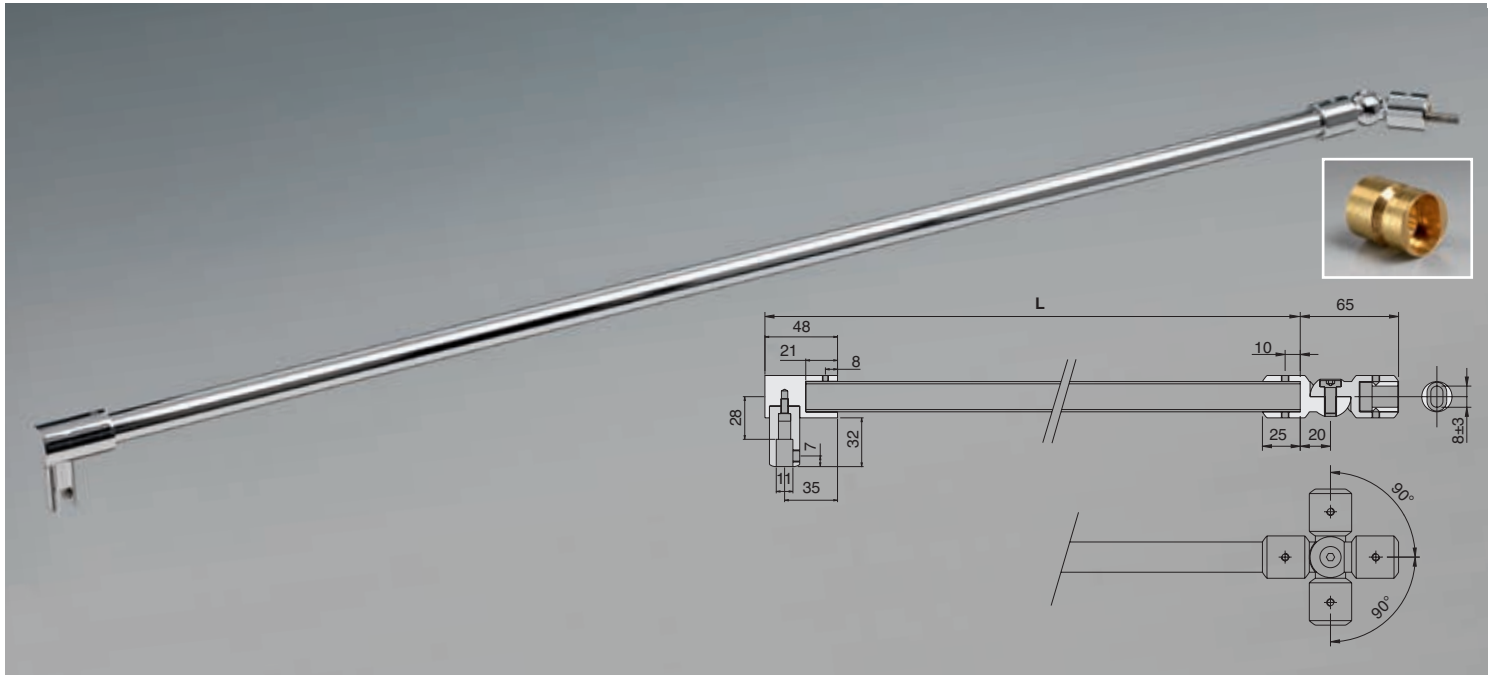
wall/glass ARTICULATED SAFETY ROD

Material: brass

Features: length 1030 mm with articulated joints - 90° 0 + 90°.

The length may be up to you, by cutting the pipe to the desired length.

Finish: chrome, satin nickel finish



Art.	Dimensions	Cylinder	Articulated wall connection	Clamp	Q.ty
MF9812	L 1030 mm	Ø28 x 48 mm	Ø30 x 45 mm	H 32 x 20 mm inside 11 mm	1 Pc

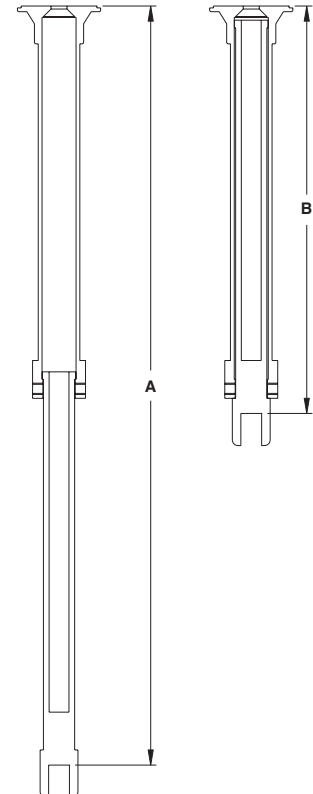


ceiling/glass TELESCOPIC ROD

Material: brass

Features: variable length between 217 mm and 402 mm for ceiling connection only. Glass seal is ensured by a clamp such as item MT001 for glass 6/10 mm. One can connect the type of clamp on customer request after prior communication.

Finish: chrome, satin nickel finish



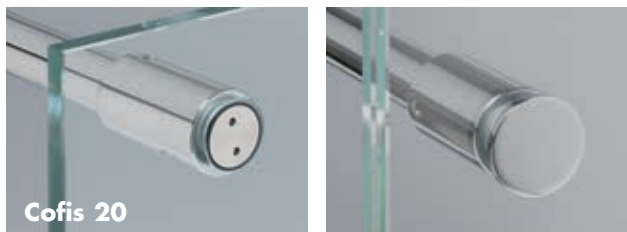
Art.	Dimensions	For Glass	Q.ty
MF09430	A 402 mm B 217 mm	6/10 mm	1 Pc

wall/glass SAFETY ROD WITH FIXING SCREW Ø30 mm

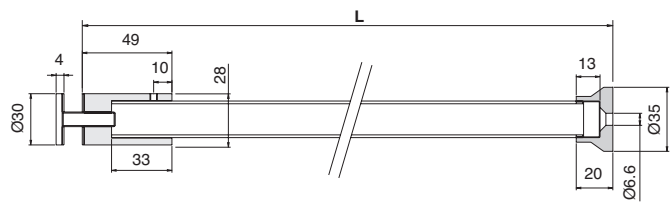
Material: brass

For a better design it is recommended to replace the Ø30 screw with a Cofis 20; please note that in combination with the fixing connector the glass thickness must be at least 8 mm

Finish: chrome, satin nickel finish



Cofis 20



Art.	Dimensions	Cylinder	Wall connection	Glass clamp	Q.ty
MF09410	L 1020 mm	Ø28 x 48 mm	Ø35 x 20 mm	Ø28 mm with screw Ø30 x M8	1 Pc
MF09413	L 1,320 mm	Ø28 x 48 mm	Ø35 x 20 mm	Ø28 mm with screw Ø30 x M8	1 Pc
MF09416	L 1620 mm	Ø28 x 48 mm	Ø35 x 20 mm	Ø28 mm with screw Ø30 x M8	1 Pc

SAFETY ROD Ø20 mm

Material: brass

Rod supplied in length 1000/1300/1600 mm with threaded part for housing the threaded wall connection Art. MF02

Finish: chrome, satin nickel finish, gold



Art.	Dimensions	Q.ty
MF1000	L 1000 x Ø20 with threading M20 x 1	1 Pc
MF1300	L 1300 x Ø20 with threading M20 x 1	1 Pc
MF1600	L 1600 x Ø20 with threading M20 x 1	1 Pc

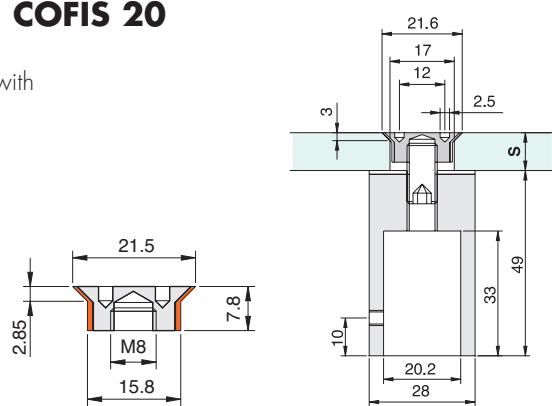
END CONNECTION WITH COFIS 20

Material: brass

Features: end connection on fixed glass with countersunk connector COFIS 20.

To be combined with any Ø20 mm rod.

Finish: chrome, satin nickel finish



Art.	Dimensions	Q.ty
MF10	Ø28 x 48 mm with countersunk connector COFIS 20	1 Pc

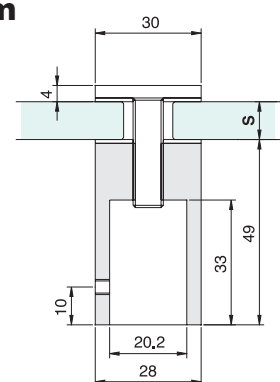
END CONNECTION WITH SCREW Ø30 mm

Material: brass

Features: end connection on fixed glass with screw Ø30 x 28 mm.

To be combined with any Ø20 mm rod.

Finish: chrome, satin nickel finish



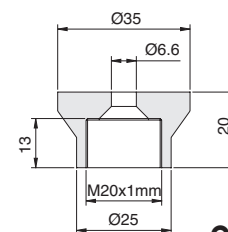
Art.	Dimensions	Glass hole	Q.ty
MF12	Ø28 x 48 mm with screw Ø30x 28 mm	minimum 9 mm	1 Pc

**WALL CONNECTION FOR SAFETY ROD**

Material: brass

Features: threaded wall connection M20x1 to be combined with the relevant rod

Finish: chrome, satin nickel finish, gold


Art. MF02 **Dimensions** Ø35 x 20 mm

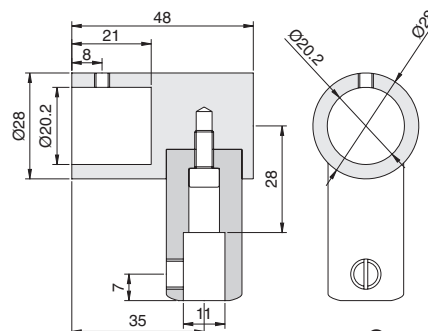
Q.ty 1 Pz
**GLASS CONNECTION WITH CLAMP 10 mm**

Material: brass

Features: glass connection without threading to be combined with any Ø20 mm rod

Finish: chrome, satin nickel finish, gold

the clamp is supplied with a brass and PVC grub screw

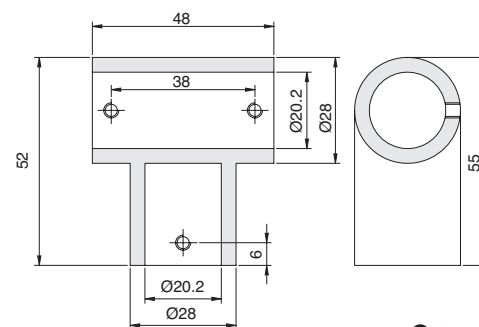

Art. MF04 **Dimensions** Ø28 x 48 mm **For glass** 6/10 mm

Q.ty 1 Pz
**"T" FITTING**

Material: brass

Features: fitting for connecting Ø20 mm pipes.

Finish: chrome, satin nickel finish


Art. MF05 **Dimensions** Ø28 x 48 x 52 mm

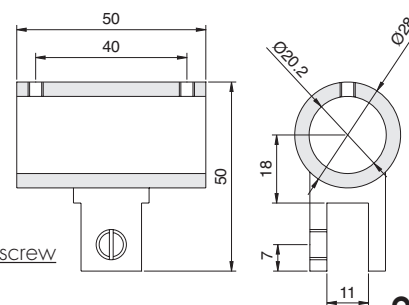
Q.ty 1 Pz
**CYLINDER WITH CLAMP 10 mm**

Material: brass

Features: 1 clamp welded on perforated cylinder to be combined with any Ø20 mm rod.

Finish: chrome, satin nickel finish

the clamp is supplied with a brass and PVC grub screw

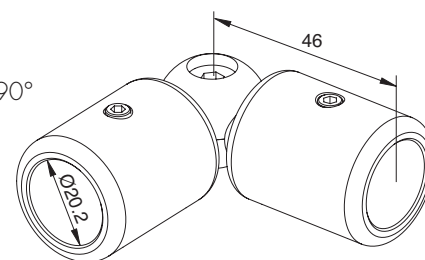

Art. MF06 **Dimensions** Ø28 x 50 mm **For glass** 6/10 mm

Q.ty 1 Pz
**90° ADJUSTABLE FITTING**

Material: brass

Features: bar fixing articulated joint from 0° to +/- 90°

Finish: chrome, satin nickel finish


Art SAS020 **Dimensions** Ø28 mm x 46 + 46 mm

Q.ty 1 Pz
**WALL FIXING ACCESSORY**

Material: brass

Features: accessory for the fixing of art. SAS020

Finish: raw brass

Art MFB0C **Dimensions** Ø19 mm H 25 mm

Q.ty 1 Pz

MODULAR SYSTEM FOR SAFETY BARS FOR RETAINING GLASS PANELS

Material: brass

Features:

- Accessories for fixing 6/12 mm thick glass panels.
- Wide range for the most diverse solutions

Finish: chrome, imitation stainless steel

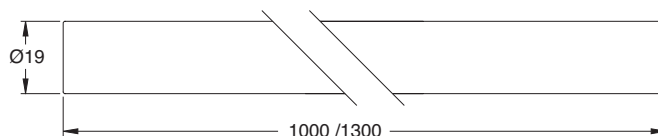


SAFETY ROD Ø19 mm

Material: brass

Rod supplied in length 1000/1300 mm

Finish: chrome, imitation stainless steel



Art	Dimensions	Q.ty
SAS1000	Ø19 mm x 1000 mm	1 Pc
SAS1300	Ø19 mm x 1,300 mm	1 Pc

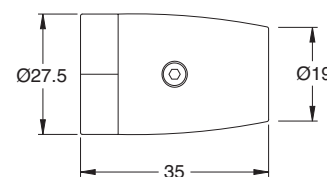
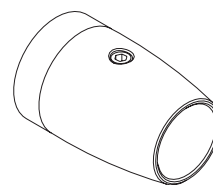


WALL CONNECTION

Material: brass

Features: accessory for fixing the bar to the wall with adjustment slot.

Finish: chrome, imitation stainless steel



Art	Dimensions	Q.ty
SAS001	Ø27.5 mm x 35 mm	1 Pc

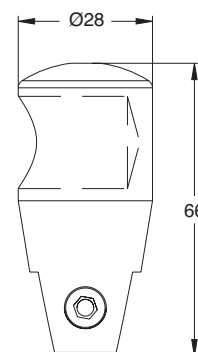
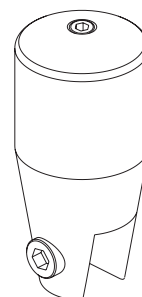


CLOSED CLAMP

Material: brass

Features: Bar/glass fixing accessory with closed end part

Finish: chrome, imitation stainless steel



Art	Dimensions	Q.ty
SAS006	Ø28 mm x 66 mm	1 Pc

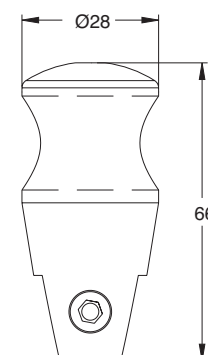
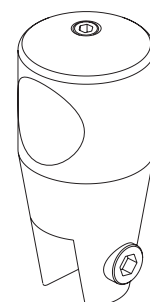


FEED-THROUGH CLAMP

Material: brass

Features: Fixing accessory for bar/glass - feed-through

Finish: chrome, imitation stainless steel

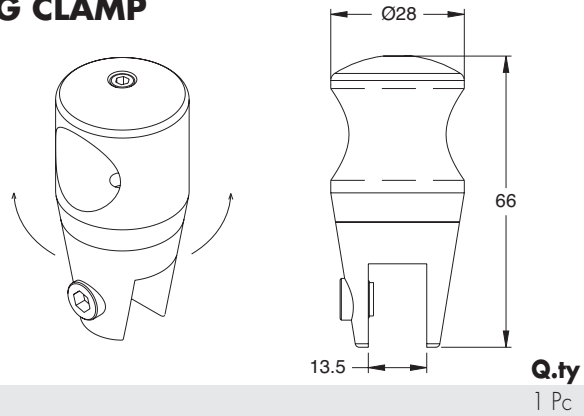


Art	Dimensions	Q.ty
SAS005	Ø28 mm x 66 mm	1 Pc



FEED-THROUGH AND REVOLVING CLAMP

Material: brass
 Features: bar/glass fixing accessory
 feed-through with revolving clamp
 Finish: chrome, imitation stainless steel



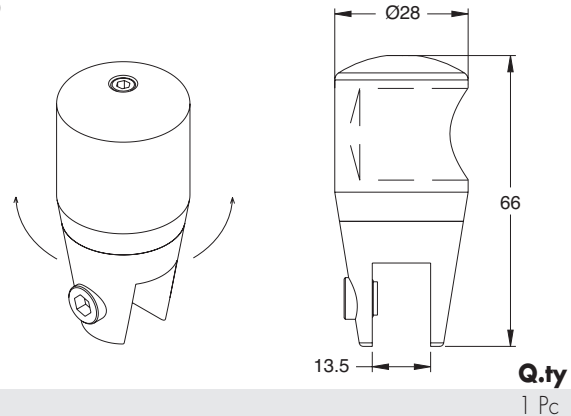
Art
SAS003 **Dimensions**
 Ø28 mm x 66 mm

Q.ty
 1 Pc



CLOSED AND REVOLVING CLAMP

Material: brass
 Features: bar/glass fixing accessory
 with closed end part and revolving clamp
 Finish: chrome, imitation stainless steel



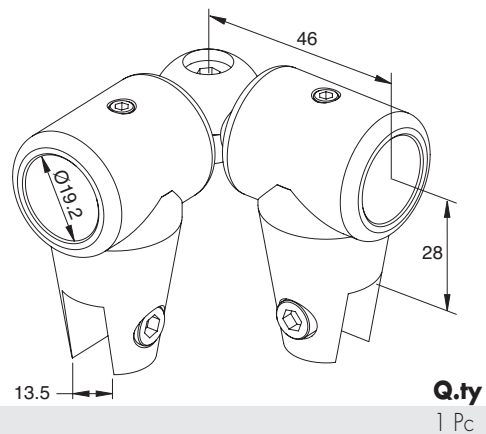
Art
SAS004 **Dimensions**
 Ø28 mm x 66 mm

Q.ty
 1 Pc



90° FITTING ADJUSTABLE WITH CLAMP

Material: brass
 Features: bar fixing articulated joint
 from 0° to +/- 90° complete with 2 clamps
 Finish: chrome, imitation stainless steel



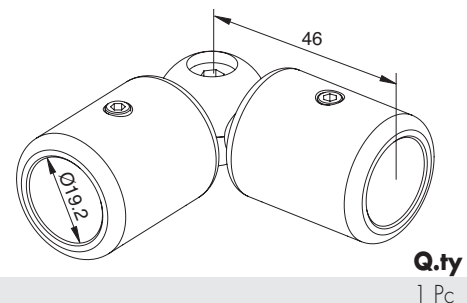
Art
SAS008 **Dimensions**
 Ø28 mm x 46+46 mm

Q.ty
 1 Pc



90° ADJUSTABLE FITTING

Material: brass
 Features: bar fixing articulated joint
 from 0° to +/- 90°
 Finish: chrome, imitation stainless steel



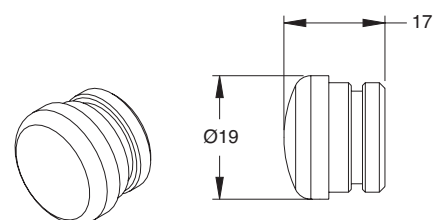
Art
SAS007 **Dimensions**
 Ø28 mm x 46 + 46 mm

Q.ty
 1 Pc



END CAP FOR BARS

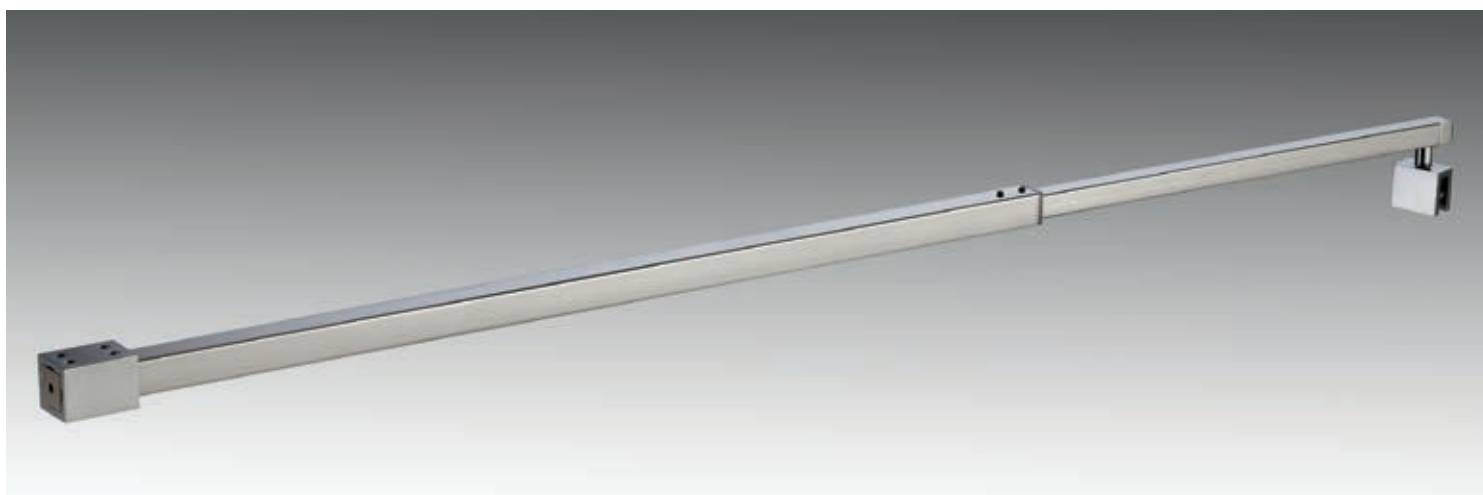
Material: brass
 Features: end cap for Ø19 bars
 Finish: chrome, imitation stainless steel



Art
SAS009 **Dimensions**
 Ø19 mm x 17 mm

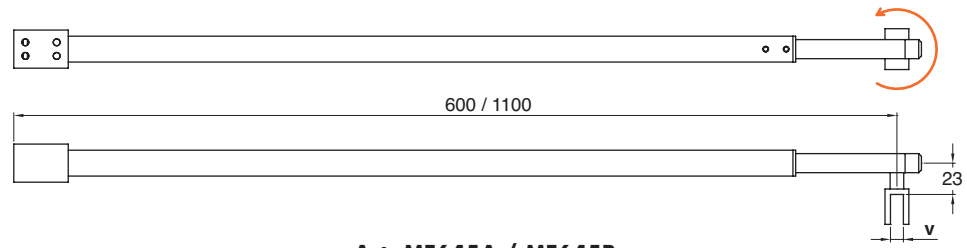
Q.ty
 1 Pc

HORIZONTAL TELESCOPIC ROD 600/100 mm

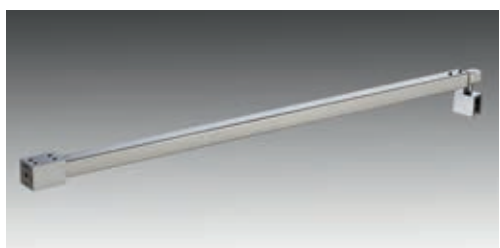
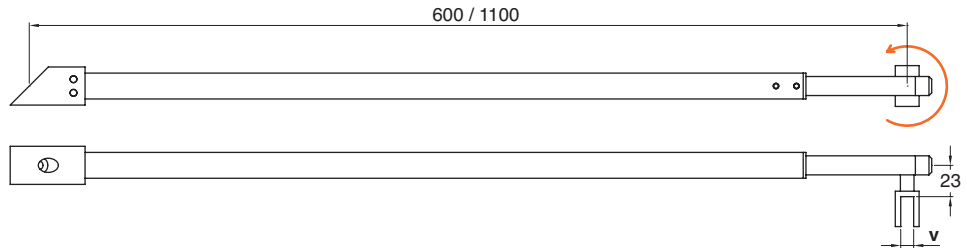


Material: AISI 304 steel and brass
 Features: horizontal telescopic rod.
 The adjustment allows varying the length from 600 to 1100 mm
 Available in two versions: with wall fitting at 90° or at 45°
 Rod finish: polished steel
 Accessories finish: chrome

Art. MF600A / MF600B



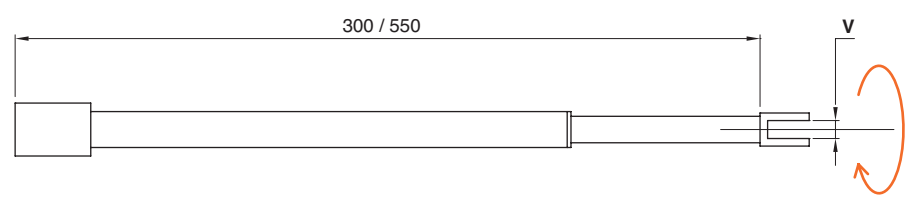
Art. MF645A / MF645B



Art.	Dimensions	Glass	Q.ty
MF600A	L 600 - 1100 mm	V = 6/8 mm	1 Pc
MF600B	L 600 - 1100 mm	V = 10/12 mm	1 Pc
MF645A	L 600 - 1100 mm	V = 6/8 mm	1 Pc
MF645B	L 600 - 1100 mm	V = 10/12 mm	1 Pc
MF600H	L 600 - 1100 mm - Rod only		1 Pc

VERTICAL EXTENSIBLE ROD 300/50 mm

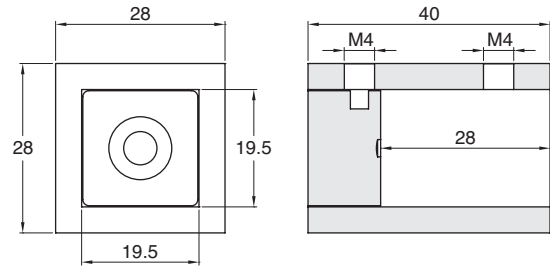
Material: AIS 304 steel and brass
 Features: vertical telescopic rod
 The adjustment allows varying the length from 300 to 550 mm
 Rod finish: polished steel
 Accessories finish: chrome



Art.	Dimensions	Glass	Q.ty
MF300A	H 300 - 550 mm	V = 6/8 mm	1 Pc
MF300B	H 300 - 550 mm	V = 10/12 mm	1 Pc
MF300V	H 300 - 550 mm - Rod only		1 Pc

WALL FITTING FOR EXTENSIBLE ROD

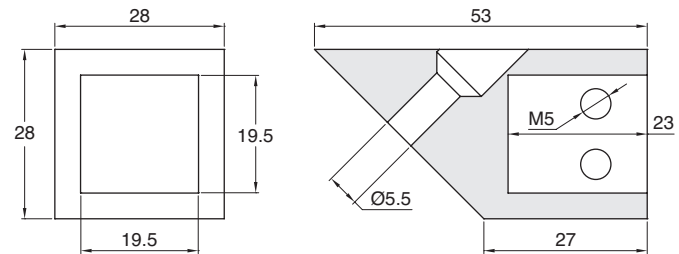
Material: brass
Features: wall fitting for telescopic rod
Finish: chrome



Art.	Dimensions	Q.ty
MF2890	28 x 40 mm	1 Pc

45° WALL FITTING FOR EXTENSIBLE ROD

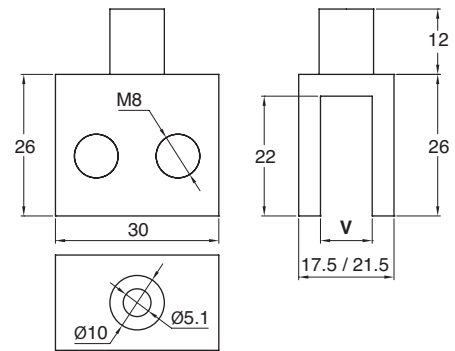
Material: brass
Features: 45° tilted wall fitting for telescopic rod
Finish: chrome



Art.	Dimensions	Q.ty
MF2845	28 x 55 mm	1 Pc

CLAMPS WITH NECK FOR HORIZONTAL EXTENSIBLE ROD

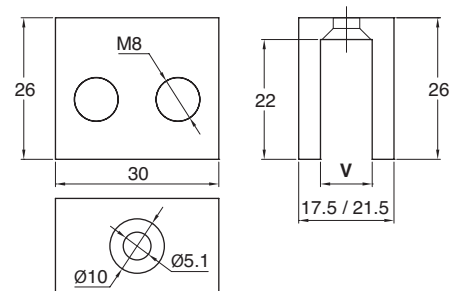
Material: brass
Features: glass clamp with neck for horizontal telescopic rod
Finish: chrome



Art.	Dimensions	Glass	Q.ty
MU30095N	30 x 26 mm	V = 6/8 mm	1 Pc
MU30135N	30 x 26 mm	V = 10/12 mm	1 Pc

CLAMPS FOR VERTICAL EXTENSIBLE ROD

Material: brass
Features: glass clamp for vertical telescopic rod
Finish: chrome



Art.	Dimensions	Glass	Q.ty
MU30095	30 x 26 mm	V = 6/8 mm	1 Pc
MU30135	30 x 26 mm	V = 10/12 mm	1 Pc

SYSTEMS FOR
BALUSTRADES

SYSTEMS FOR
OUTDOORS

SYSTEMS FOR
GLASS PARTITIONS

STEEL
SYSTEMS FOR
SLIDING DOORS

ALUMINIUM
SYSTEMS FOR
SLIDING DOORS

SYSTEMS FOR
HINGED DOORS

PULL HANDLES
AND KNOBS

SYSTEMS FOR
SHOWER PARTITIONS





SPD SERIES GLASS CONNECTION AND 2 STABILIZING BARS

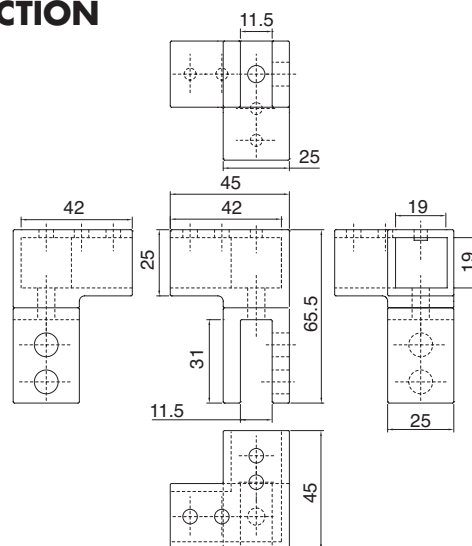
Material: zinc alloy

Features: 90° junction accessory connecting

2 stabilizing bars with glass panels

Swiveling clamp for 6/10mm glass

Finish: polished chrome



Art.
SPD01

For glass
6/10 mm

Q.ty
1 Pc



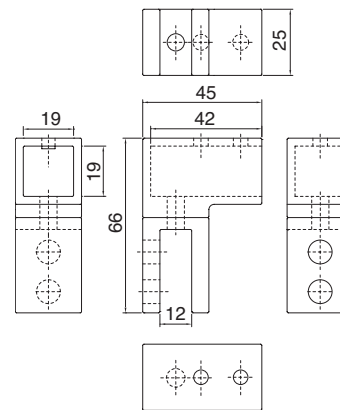
SPD SERIES GLASS CONNECTION

Material: zinc alloy

Features: accessory to connect the glass panels
to the stabilizing bar

Swiveling clamp for 6/10mm glass

Finish: polished chrome



Art.
SPD03

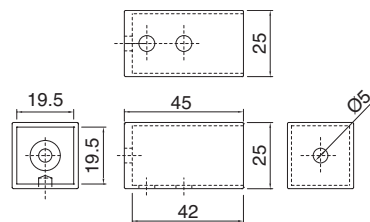
For glass
6/10 mm

Q.ty
1 Pc



SPD SERIES WALL CONNECTION

Material: zinc alloy
 Features: accessory to connect the stabilizing bar to the wall
 Finish: polished chrome



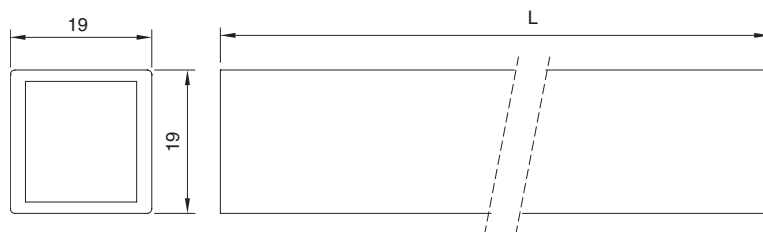
Art.
SPD05

Q.ty
 1 Pc



SPD SERIES ALUMINUM STABILIZER

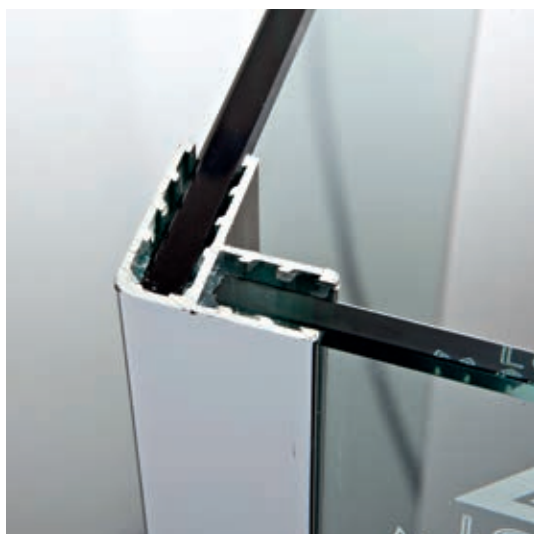
Material: aluminum
 Features: stabilizing bar to be used with SPD series accessories
 Length form 2000mm to 1000mm
 Finish: polished aluminum



Art.
SPD072000
SPD071000

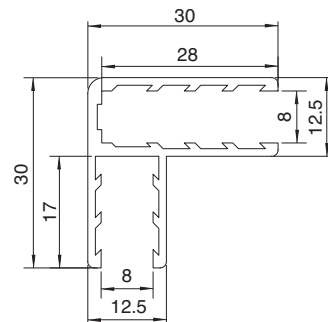
Description
 2000 mm long bar
 1000 mm long bar

Q.ty
 1 Pc
 1 Pc



SPD SERIES CORNER CONNECTION 30x30

Material: aluminum
 Features: corner connection for 2 glass panels with a max thickness of 8mm
Glass can only be fixed with Silicone
 H 2300mm
 Finish: polished aluminum



Art.
SPD092300

Description
 Corner connection 30x30

Q.ty
 1 Pc

ROUNDED COMPENSATING PROFILE SERIES

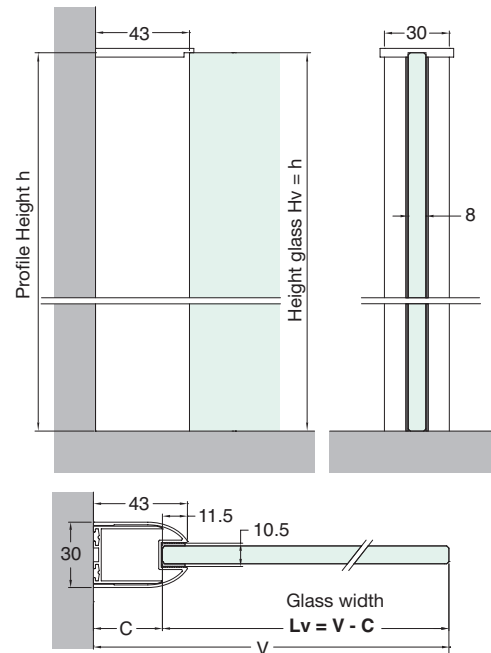
Material: aluminum

Features: kit compounds of two aluminum profiles. One glass holding for a max glass thickness of 8mm and one compensating profile. 8mm gasket included along with 3 screw to fix the glass holding profile to the compensating profile. Screw cap and profile end cap included.

H 2300 mm profiles.

Finish: polished aluminum

Can use 10mm thickness glass to fix only with silicone



C = min 31.5 mm for all closed compensation profile
max 53 mm for all open compensation profile

Art.
SPD112300

For glass
8 / 10 mm

Q.ty
1 Pc

STRAIGHT COMPENSATING PROFILE SERIES

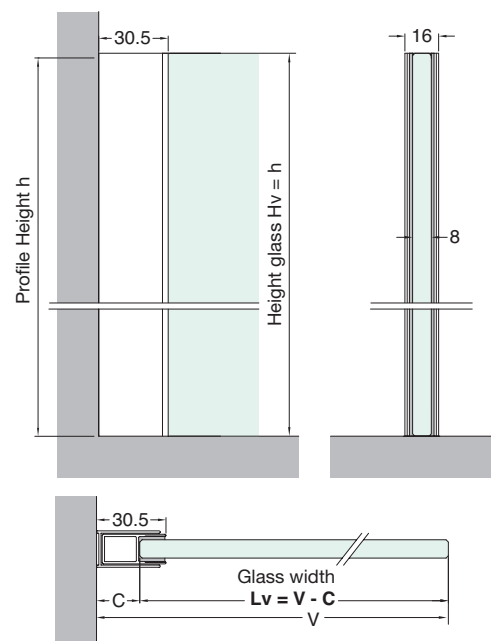
Material: aluminum

Features: kit compound of two aluminum profiles. One glass holding for a max glass thickness of 8mm and one compensating profile. 8mm gasket included along with 3 screws to fix the glass holding profile to the compensating profile. Screw cap and profile end cap included.

H 2300 mm profiles.

Finish: polished aluminum

Can use 10mm thickness glass to fix only with silicone



C = min 19 mm for all closed compensation profile
max 25 mm for all open compensation profile
Also consider the size of the screw head

Art.
SPD132300

For glass
8 / 10 mm

Q.ty
1 Pc

SYSTEMS FOR BALUSTRADES
SYSTEMS FOR OUTDOORS
SYSTEMS FOR GLASS PARTITIONS
STEEL SYSTEMS FOR SLIDING DOORS
ALUMINIUM SYSTEMS FOR SLIDING DOORS
SYSTEMS FOR HINGED DOORS
PULL HANDLES AND INBOSS
SYSTEMS FOR SHOWER PARTITIONS



ACCESSORIES FOR SHOWER ENCLOSURES



OXY STYLE - license n°758
GEAL - license n°740

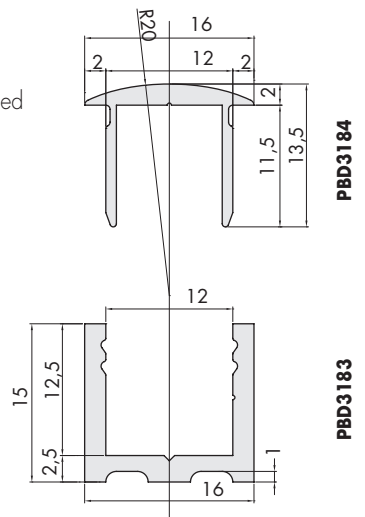
PBD – CLASSE 10 – Minimum anodising thickness **10 micron**
Suitable for internal installations



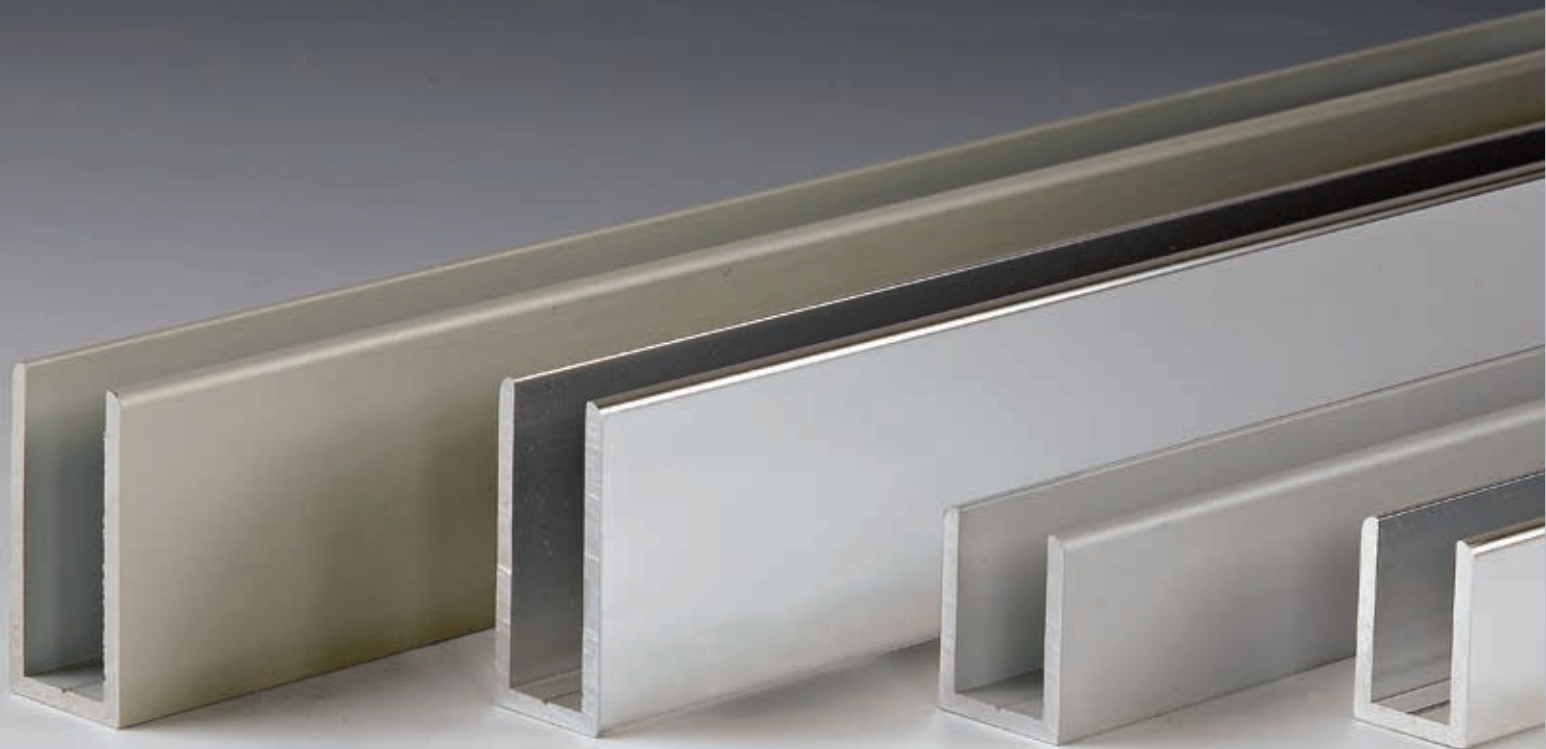
ALUMINUM DAM FOR SHOWER BOX

Material anodized aluminum - Features: aluminum u shape profile for wet areas with grooved bottom for floor sealing. It can be coupled with top profile for visible section without glass
Finish: polished aluminum, stainless steel aluminum imitation

Minimum package 5 PCS, also mixed



Art.	Description	Dimensions	Q.ty
PBD3183	U-section	3000 mm x 15 mm x 16 mm - inside 12 mm	1 Pc
PBD3184	Radial upper profile	3000 mm x 15 mm x 16 mm	1 Pc
PBD3184,150	Radial upper profile	1498 mm x 13,5 mm x 16 mm	1 Pc



QUALITAL

OXY STYLE - license n°758
GERAL - license n°740



Tappi profilo ad "U"
PROTAP

PROFALL – CLASSE 10 – Minimum anodising thickness **10 micron**
Suitable for internal installations

ALUMINIUM U-PROFILES

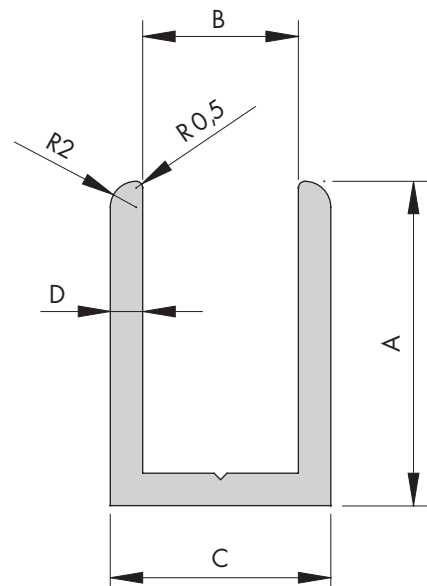
Material: extruded aluminium

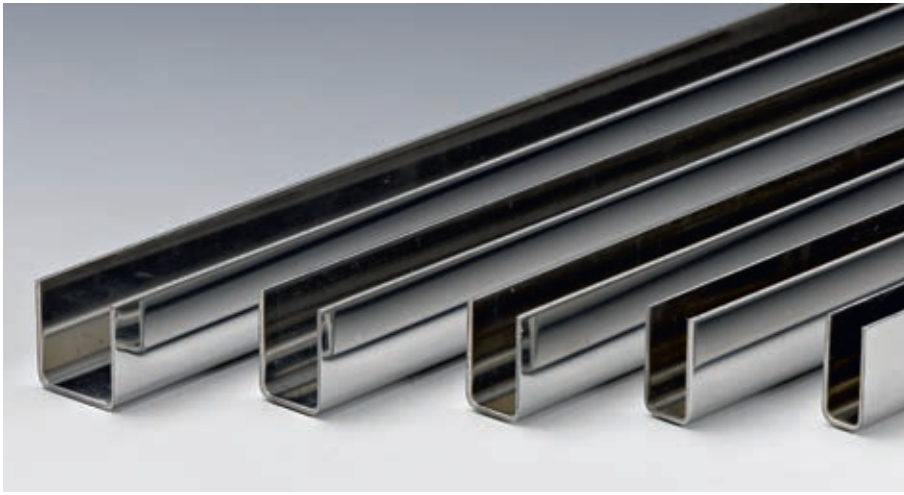
Features: 3000mm aluminium profiles with rounded edges and guideline to simplify the drilling.

Finish: matt aluminium, brushed steel-effect aluminium, polished aluminium

Minimum package 5 PCS, also mixed

Art.	Dimensions					Q.ty
PROFALL0820	A 20	B 8.5	C 11.5	D 1.5	L 3000 mm	1 Pc
PROFALL1020	A 20	B 10.5	C 13.5	D 1.5	L 3000 mm	1 Pc
PROFALL1225	A 25	B 12	C 17	D 2.5	L 3000 mm	1 Pc
PROFALL1240	A 40	B 12	C 17	D 2.5	L 3000 mm	1 Pc
PROFALL1425	A 25	B 14	C 19	D 2.5	L 3000 mm	1 Pc
PROFALL1440	A 40	B 14	C 19	D 2.5	L 3000 mm	1 Pc
Art.	Dimensions					Q.ty
PROTAP0820	A 20	C 11.5	End cap for U-profile			1 Pc
PROTAP1020	A 20	C 13.5	End cap for U-profile			1 Pc
PROTAP1225	A 25	C 17	End cap for U-profile			1 Pc
PROTAP1240	A 40	C 17	End cap for U-profile			1 Pc
PROTAP1425	A 25	C 19	End cap for U-profile			1 Pc
PROTAP1440	A 40	C 19	End cap for U-profile			1 Pc

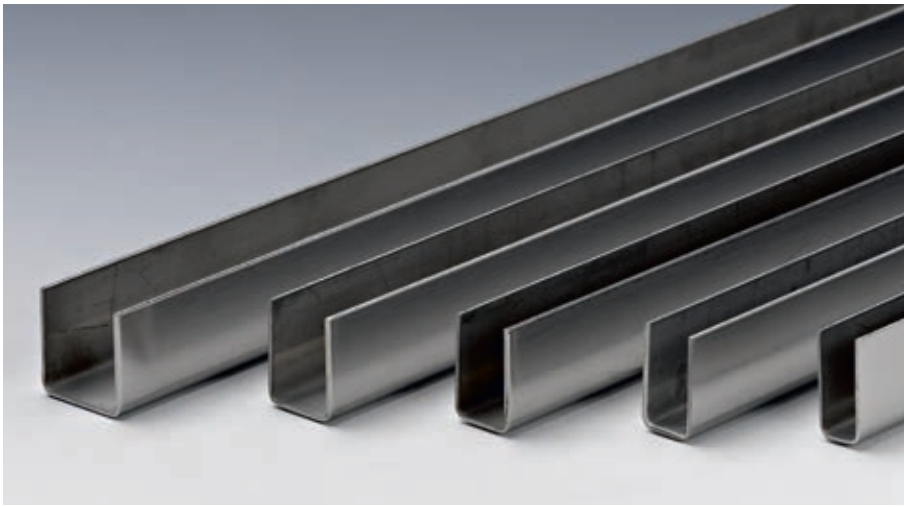
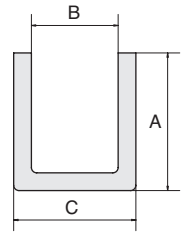




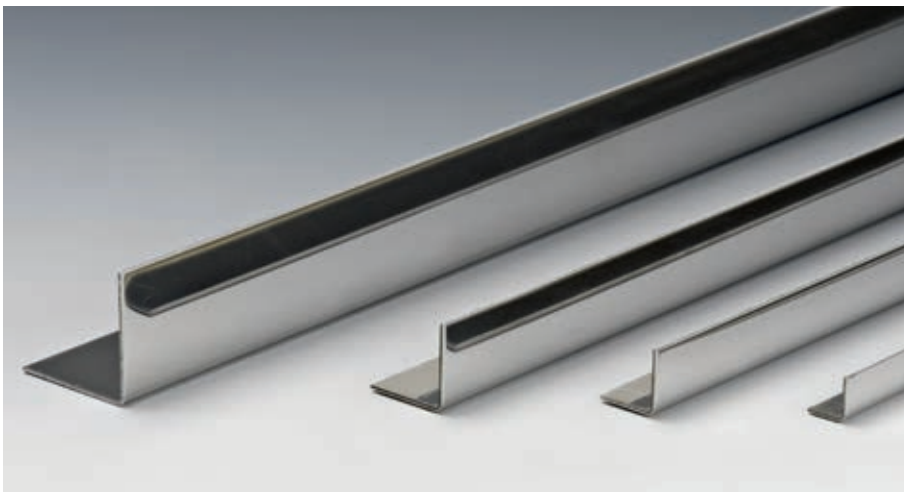
STEEL U PROFILES

Material: AISI 304 stainless steel with protective film
1 mm thickness
Minimum inside size 6.5mm
20 mm maximum height for an inside 6,5mm profile
Other sizes available upon request
Finish: polished steel, satin steel

Minimum package 5 PCS, also mixed



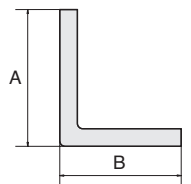
Art.	Dimensions			Q.ty
CANAL06	A 20	B 6.5	C 8.5	L 2000 mm 1 Pz
CANAL1	A 20	B 8.5	C 10.5	L 2000 mm 1 Pz
CANAL12	A 20	B 10.5	C 12.5	L 2000 mm 1 Pz
CANAL13	A 20	B 12.5	C 14.5	L 2000 mm 1 Pz
CANAL14	A 20	B 16	C 18	L 2000 mm 1 Pz
CANAL16	A 20	B 6.5	C 8.5	L 2500 mm 1 Pz
CANAL2	A 20	B 8.5	C 10.5	L 2500 mm 1 Pz
CANAL22	A 20	B 10.5	C 12.5	L 2500 mm 1 Pz
CANAL23	A 20	B 12.5	C 14.5	L 2500 mm 1 Pz
CANAL24	A 20	B 16	C 18	L 2500 mm 1 Pz
CANAL26	A 20	B 6.5	C 8.5	L 3000 mm 1 Pz
CANAL3	A 20	B 8.5	C 10.5	L 3000 mm 1 Pz
CANAL32	A 20	B 10.5	C 12.5	L 3000 mm 1 Pz
CANAL33	A 20	B 12.5	C 14.5	L 3000 mm 1 Pz
CANAL34	A 20	B 16	C 18	L 3000 mm 1 Pz



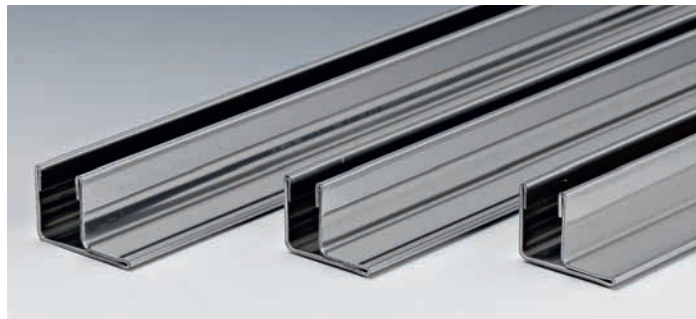
STEEL CORNER PROFILES

Material: AISI 304 stainless steel with protective film
1 mm thickness
other sizes available upon request
finish: polished steel, satin steel

Minimum package 5 PCS, also mixed



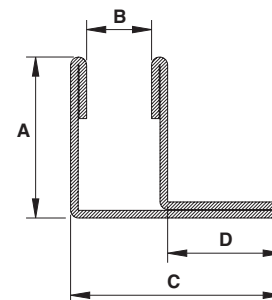
Art.	Dimensions			Q.ty
CANANG1	A 10	B 10	L 2000 mm	1 Pz
CANANG12	A 15	B 15	L 2000 mm	1 Pz
CANANG13	A 20	B 20	L 2000 mm	1 Pz
CANANG14	A 30	B 30	L 2000 mm	1 Pz
CANANG2	A 10	B 10	L 2500 mm	1 Pz
CANANG22	A 15	B 15	L 2500 mm	1 Pz
CANANG23	A 20	B 20	L 2500 mm	1 Pz
CANANG24	A 30	B 30	L 2500 mm	1 Pz
CANANG3	A 10	B 10	L 3000 mm	1 Pz
CANANG32	A 15	B 15	L 3000 mm	1 Pz
CANANG33	A 20	B 20	L 3000 mm	1 Pz
CANANG34	A 30	B 30	L 3000 mm	1 Pz



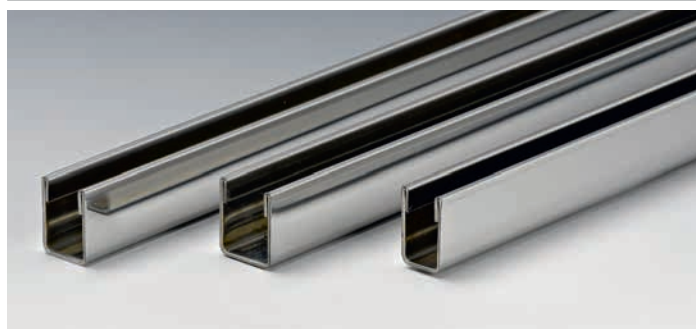
STEEL F PROFILES WITH ROUNDED EDGES

Material: AISI 304 stainless steel with protective film
 Special profiles with rounded edges
 1mm thickness
 Minimum inside size 8.5mm
 20mm maximum height for an inside 6,5mm profile
 Other sizes available upon request
 Finish: polished steel, satin steel

Minimum package 5 PCS, also mixed



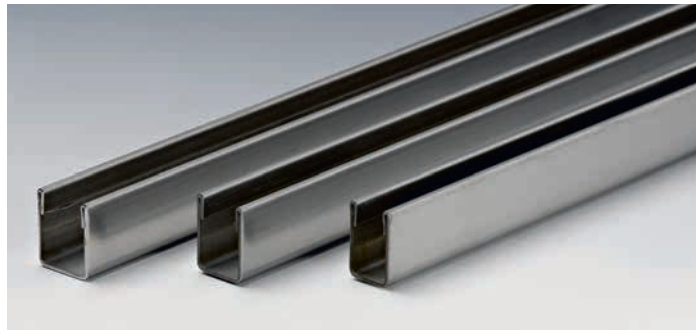
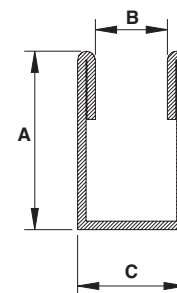
Art.	Dimensions				L	Q.ty
CANALSF48	A 20	B 8.5	C 27.5	D 15	L 2500 mm	1 Pz
CANALSF50	A 20	B 10.5	C 29.5	D 15	L 2500 mm	1 Pz
CANALSF52	A 20	B 12.5	C 31.5	D 15	L 2500 mm	1 Pz



STEEL U PROFILES WITH ROUNDED EDGES

Material: AISI 304 stainless steel with protective film
 Special profiles with rounded edges
 1mm thickness
 Minimum inside size 6.5mm
 20mm maximum height for an inside 6,5mm profile
 Other sizes available upon request
 Finish: polished steel, satin steel
 Minimum order 5 profiles also mixed

Minimum package 5 PCS, also mixed



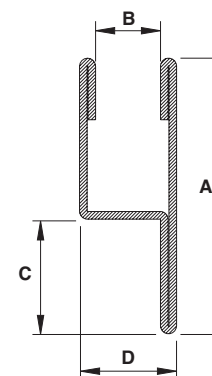
Art.	Dimensions				L	Q.ty
CANALSU66	A 20	B 6.5	C 10.5		L 2500 mm	1 Pz
CANALSU68	A 20	B 8.5	C 12.5		L 2500 mm	1 Pz
CANALSU70	A 20	B 10.5	C 14.5		L 2500 mm	1 Pz
CANALSU72	A 20	B 12.5	C 16.5		L 2500 mm	1 Pz



STEEL H PROFILES WITH ROUNDED EDGES

Material: AISI 304 stainless steel with protective film
 Special profiles with rounded edges
 1mm thickness
 Minimum inside size 8.5mm
 20mm maximum height for an inside 6,5mm profile
 Other sizes available upon request
 Finish: polished steel, satin steel

Minimum package 5 PCS, also mixed



Art.	Dimensions				L	Q.ty
CANALH88	A 36	B 8.5	C 15.5	D 12.5	L 2500 mm	1 Pz
CANALH90	A 36	B 10.5	C 15.5	D 14.5	L 2500 mm	1 Pz
CANALH92	A 36	B 12.5	C 15.5	D 16.5	L 2500 mm	1 Pz

SYSTEMS FOR
BALUSTRADES

SYSTEMS FOR
OUTDOORS

SYSTEMS FOR
GLASS PARTITIONS

STEEL
SYSTEMS FOR
SLIDING DOORS

ALUMINIUM
SYSTEMS FOR
SLIDING DOORS

SYSTEMS FOR
HINGED DOORS

PULL HANDLES
AND KNOBS

SYSTEMS FOR
SHOWER PARTITIONS





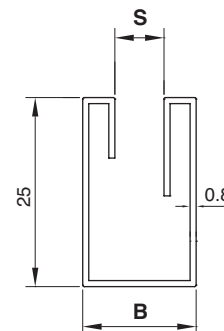
8K MIRROR-POLISHED STEEL U-PROFILE WITH FOLDED EDGE

Material: AISI 304 stainless steel

Features: 8K mirror-polished steel u-profile with 90° folded edge supplied with protective adhesive film.

Finish: 8K mirror polished steel

Minimum package 5 PCS, also mixed



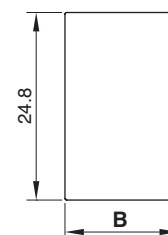
Art.	Glass	Dimensions	Q.ty
CMIRR6.2000	S = 6 mm	B = 15.5 mm - L 2000 mm	1 Pc
CMIRR6.3000	S = 6 mm	B = 15.5 mm - L 3000 mm	1 Pc
CMIRR8.2000	S = 8 mm	B = 17.5 mm - L 2000 mm	1 Pc
CMIRR8.3000	S = 8 mm	B = 17.5 mm - L 3000 mm	1 Pc
CMIRR10.2000	S = 10 mm	B = 19.5 mm - L 2000 mm	1 Pc
CMIRR10.3000	S = 10 mm	B = 19.5 mm - L 3000 mm	1 Pc
CMIRR12.2000	S = 12 mm	B = 21.5 mm - L 2000 mm	1 Pc
CMIRR12.3000	S = 12 mm	B = 21.5 mm - L 3000 mm	1 Pc

FINISHING END CAP FOR 8K STEEL DUCT

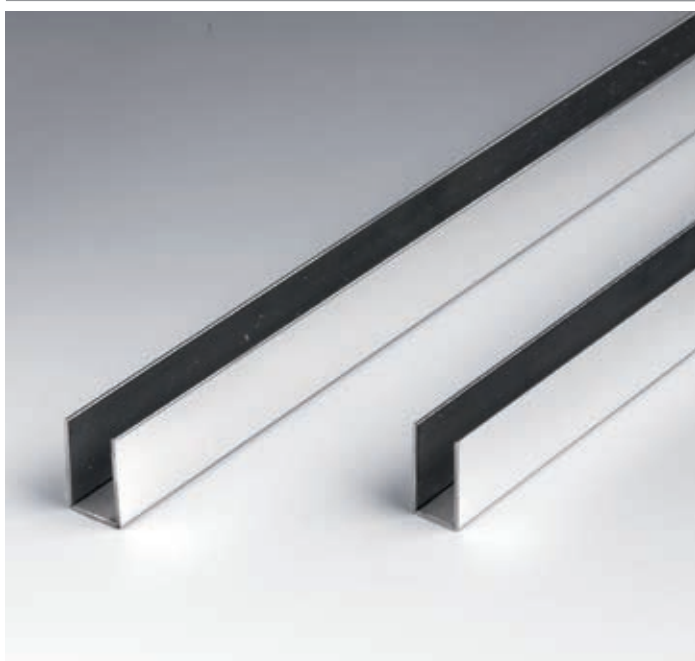
Material: AISI 304 stainless steel

Features: supplied with protective adhesive film

Finish: mirror polished steel



Art.	Glass	Dimensions	Q.ty
CMIRRTP6	6 mm	B = 15.5 mm	1 Pc
CMIRRTP8	8 mm	B = 17.5 mm	1 Pc
CMIRRTP10	10 mm	B = 19.5 mm	1 Pc
CMIRRTP12	12 mm	B = 21.5 mm	1 Pc



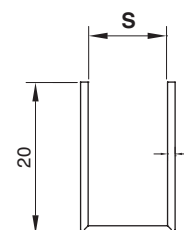
6K MIRROR STEEL DUCT

Material: AISI 304 stainless steel

Features: 6K mirror-polished steel u-profile

Finish: 6K mirror polished steel

Minimum package 5 PCS, also mixed



Art.	Glass	Dimensions	Q.ty
CANALM01	S = 8.5 mm	L 2000 mm	1 Pc
CANALM02	S = 8.5 mm	L 2500 mm	1 Pc
CANALM03	S = 8.5 mm	L 3000 mm	1 Pc
CANALM012	S = 10.5 mm	L 2000 mm	1 Pc
CANALM022	S = 10.5 mm	L 2500 mm	1 Pc
CANALM032	S = 10.5 mm	L 3000 mm	1 Pc

SYSTEMS FOR BALUSTRADES
SYSTEMS FOR OUTDOORS
SYSTEMS FOR GLASS PARTITIONS
STEEL SYSTEMS FOR SLIDING DOORS
ALUMINIUM SYSTEMS FOR SLIDING DOORS
SYSTEMS FOR HINGED DOORS
PULL HANDLES AND INNOBS
SYSTEMS FOR SHOWER PARTITIONS



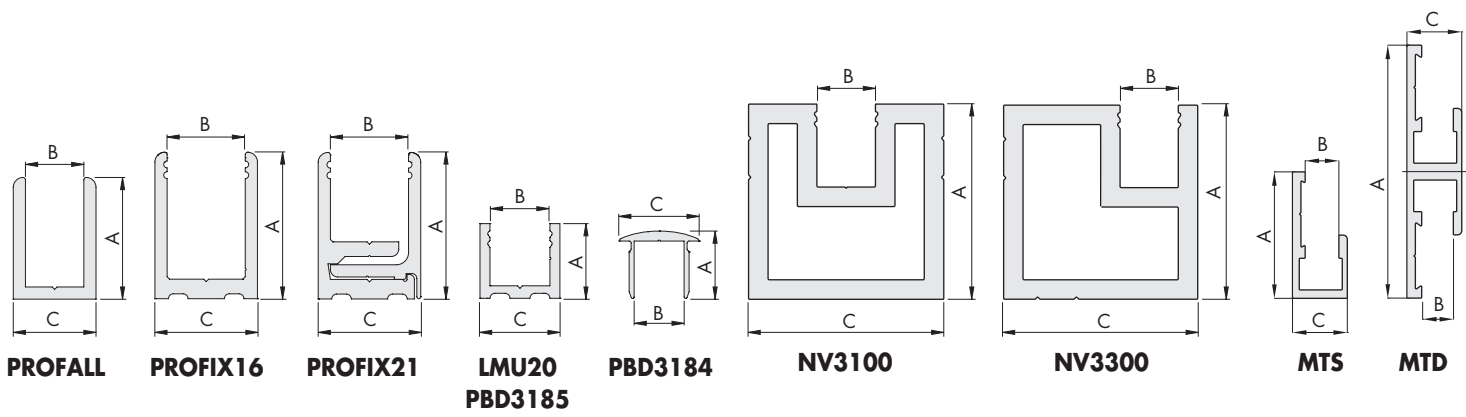
PROKROMO

CHROME ALUMINIUM PROFILES-3 and 6 METRE BARS

Material: aluminium
Finish: Chrome



Minimum order 5pcs. also mixed



Art.	Dimensions			Q.ty
PROFALL0820KR	A 20	B 8.5	C 11.5	L 2997 mm 1 Pc
PROFALL1020KR	A 20	B 10.5	C 13.5	L 2997 mm 1 Pc
PROFALL1225KR	A 25	B 12	C 17	L 2997 mm 1 Pc
PROFALL08206KR	A 20	B 8.5	C 11.5	L 6000 mm 1 Pc
PROFALL10206KR	A 20	B 10.5	C 13.5	L 6000 mm 1 Pc
PROFALL12256KR	A 25	B 12	C 17	L 6000 mm 1 Pc
PROFIX1630KR	A 30	B 16	C 21	L 2997 mm 1 Pc
PROFIX1660KR	A 30	B 16	C 21	L 6000 mm 1 Pc
PROFIX2130KR	A 30	B 16	C 21	L 2997 mm 1 Pc
PROFIX2160KR	A 30	B 16	C 21	L 6000 mm 1 Pc
LMU20,300KR	A 20	B 12	C 16	L 2997 mm 1 Pc
LMU20,600KR	A 20	B 12	C 16	L 6000 mm 1 Pc
PBD3185KR	A 15	B 12	C 16	L 2997 mm 1 Pc
PBD31856KR	A 15	B 12	C 16	L 6000 mm 1 Pc
PBD3184KR	A 13.5	B 12	C 16	L 2997 mm 1 Pc
PBD31846KR	A 13.5	B 12	C 16	L 6000 mm 1 Pc
NV3100KR	A 40	B 12	C 40	L 2947 mm 1 Pc
NV31006KR	A 40	B 12	C 40	L 5900 mm 1 Pc
NV3300KR	A 40	B 12	C 40	L 2947 mm 1 Pc
NV33006KR	A 40	B 12	C 40	L 5900 mm 1 Pc
MTS3000KR	A 30	B 8	C 13	L 2997 mm 1 Pc
MTS3600KR	A 30	B 8	C 13	L 6000 mm 1 Pc
MTD3000KR	A 60	B 8	C 13	L 2997 mm 1 Pc
MTD3600KR	A 60	B 8	C 13	L 6000 mm 1 Pc

End caps

Art.	Dimensions		Q.ty
PROTAP0820KR	A 20	C 11.5	1 Pc
PROTAP1020KR	A 20	C 13.5	1 Pc
PROTAP1225KR	A 25	C 17	1 Pc
PROFIXTPUKR	A 30	C 21	1 Pc
LMU20TPKR	A 20	C 16	1 Pc
NV3500KR	A 46.5	C 46.5	1 Pc

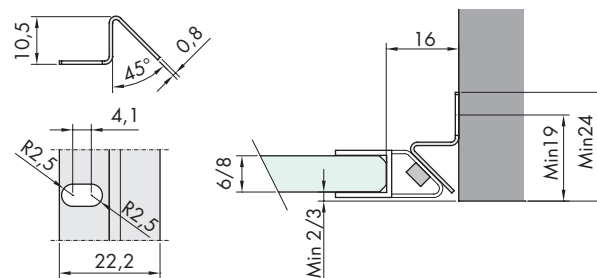


MAGNETIC STRIKE PROFILE

Material: magnetic steel

Features: strike profile to be combined with 45° magnetic gasket. With adjusting eyelets.

Finish: satin steel, polished steel



SYSTEMS FOR
BRUSHRADES

SYSTEMS FOR
OUTDOORS

SYSTEMS FOR
GLASS PARTITIONS

STEEL
SYSTEMS FOR
SLIDING DOORS

ALUMINIUM
SYSTEMS FOR
SLIDING DOORS

SYSTEMS FOR
HINGED DOORS

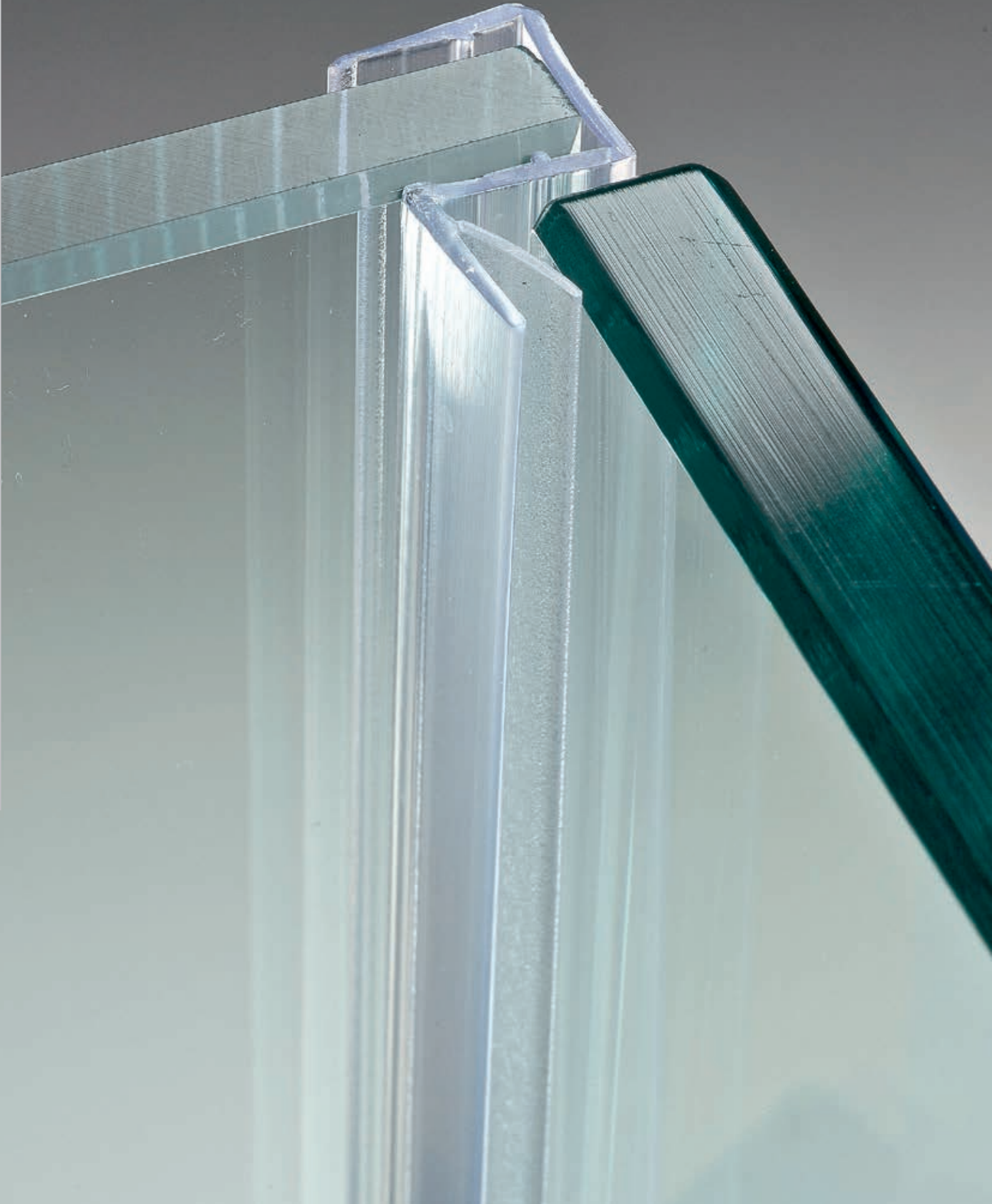
PULL HANDLES
AND KNOBS

SYSTEMS FOR
SHOWER PARTITIONS

Art.
BT31

Dimensions
10.5 x 22 - L 2500 mm - Slot 5x9 mm

Q.ty
1 Pz

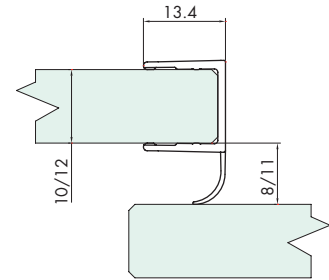




SHOWER BOX GASKET WITH SIDE WING FOR 10/12 mm

Material: co extruded PVC
 Feature: sealing gasket to be positioned vertically
 UV resistant
 Fungicide formulas against mould growth
 Max operating conditions 70° C
 Colour: transparent, wing embossed

Minimum package 10 PCS, also mixed



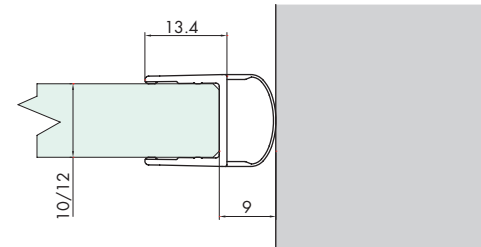
Art.	Dimensions	Wing	Glass	Q.ty
GM40	L 2200 mm	8/11 mm	10/12 mm	1 Pz
GM4030	L 3000 mm	8/11 mm	10/12 mm	1 Pz



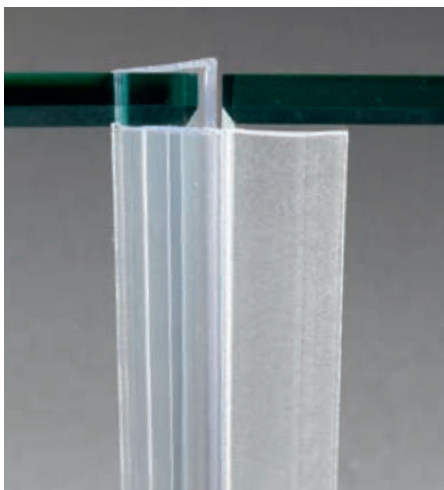
SHOWER BOX GASKET WITH BLADDER FOR 10/12 mm

Material: co extruded PVC
 Feature: sealing gasket to be positioned vertically
 UV resistant
 Fungicide formulas against mould growth
 Max operating conditions 70° C
 Colour: transparent, bladder transparent

Minimum package 10 PCS, also mixed



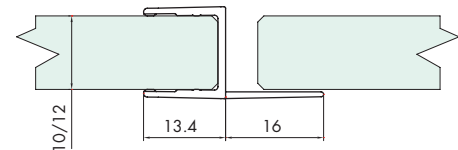
Art.	Dimensions	Bladder	Glass	Q.ty
GM42	L 2200 mm	9 mm	10/12 mm	1 Pz
GM4230	L 3000 mm	9 mm	10/12 mm	1 Pz



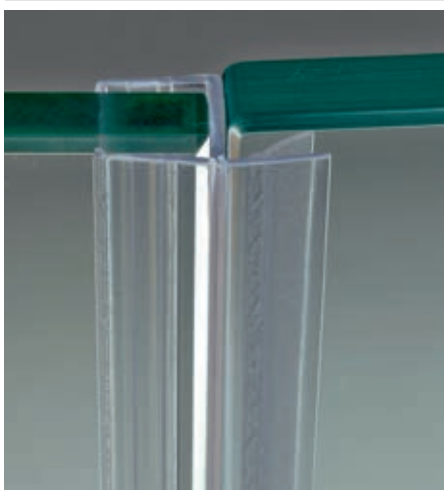
SHOWER BOX GASKET WITH SIDE WING FOR 10/12 mm

Material: co extruded PVC
 Feature: sealing gasket to be positioned vertically
 UV resistant
 Fungicide formulas against mould growth
 Max operating conditions 70° C
 Colour: transparent, wing embossed

Minimum package 10 PCS, also mixed



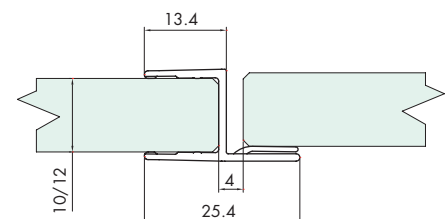
Art.	Dimensions	Wing	Glass	Q.ty
GM44	L 2200 mm	16 mm	10/12 mm	1 Pz
GM4430	L 3000 mm	16 mm	10/12 mm	1 Pz



SHOWER BOX GASKET WITH "h" SHAPED STRIKE TAB FOR 10/12 mm

Material: co extruded PVC
 Feature: strike gasket to be positioned vertically
 UV resistant
 Fungicide formulas against mould growth
 Max operating conditions 70° C
 Colour: transparent, wing embossed

Minimum package 10 PCS, also mixed



Art.	Dimensions	Strike	Glass	Q.ty
GM46	L 2200 mm	12 mm	10/12 mm	1 Pz
GM4630	L 3000 mm	12 mm	10/12 mm	1 Pz



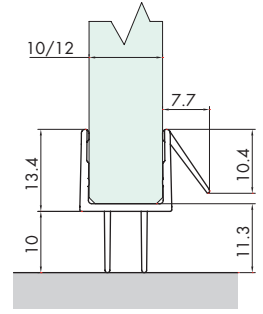
SHOWER BOX GASKET WITH BARRAGE AND BAFFLE FOR 10/12 mm

Material: co extruded PVC
Features: strike gaskets to be positioned horizontally
UV resistant

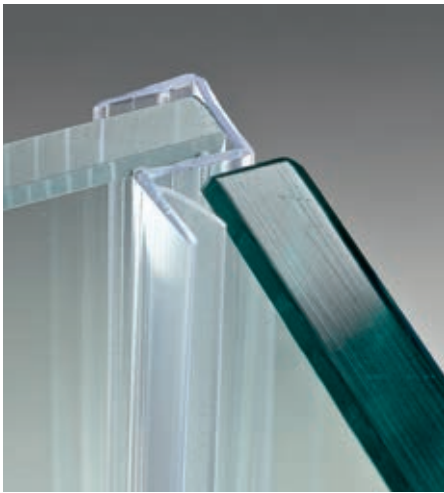
Fungicide formulas against mould growth

Max operating conditions 70° C
Colour: transparent, wing embossed

Minimum package 10 PCS, also mixed



Art.	Dimensions	Barrage	Glass	Q.ty
GM4830	L 3000 mm	10 mm	10/12 mm	1 Pz



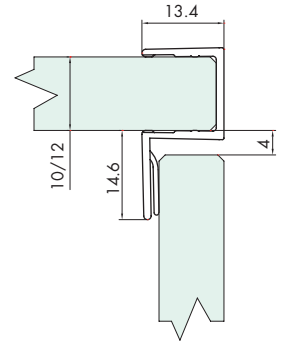
SHOWER BOX GASKET WITH 90° STRIKE WING FOR 10/12 mm

Material: co extruded PVC
Features: strike gaskets to be positioned vertically
UV resistant

Fungicide formulas against mould growth

Max operating conditions 70° C
Colour: transparent, wing embossed

Minimum package 10 PCS, also mixed



Art.	Dimensions	Strike	Glass	Q.ty
GM50	L 2200 mm	14.6 mm	10/12 mm	1 Pz
GM5030	L 3000 mm	14.6 mm	10/12 mm	1 Pz



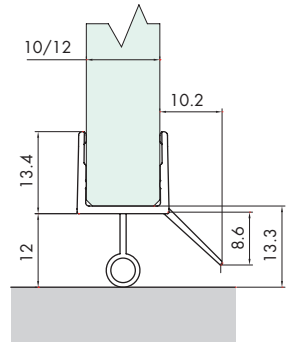
SHOWER BOX GASKET WITH BALLOON BARRAGE AND WING BAFFLE FOR 10/12 mm

Material: co extruded PVC
Features: sealing gaskets to be positioned horizontally
UV resistant

Fungicide formulas against mould growth

Max operating conditions 70° C
Colour: transparent, wing embossed

Minimum package 10 PCS, also mixed



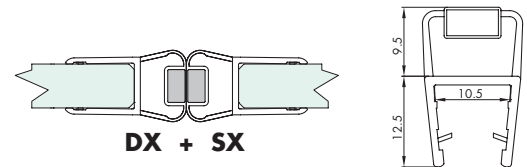
Art.	Dimensions	Bladder	Glass	Q.ty
GM5230	L 3000 mm	12 mm	10/12 mm	1 Pz



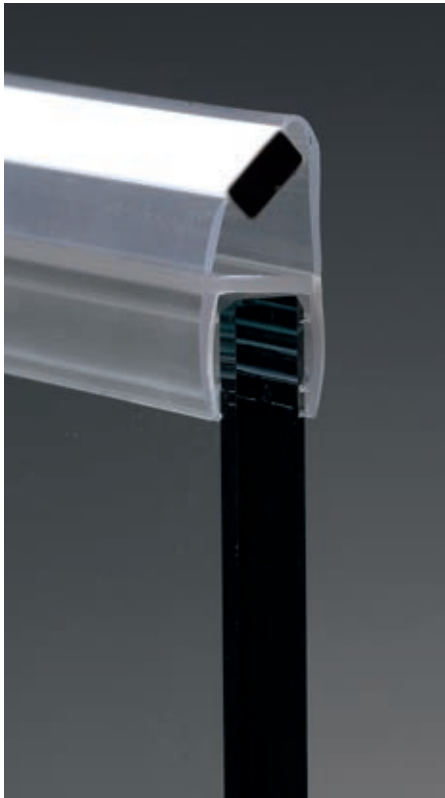
IN LINE 10-12 MAGNETIC SHOWER BOX GASKET

In line closing
Material: hard and soft co-extruded PVC with right and left magnet
Colour: transparent, white magnet

Minimum package 10 PCS, also mixed



Art.	Dimensions	Bladder	For glass	Q.ty
GM17DX	H 22 x L 14 x 2500 mm	H 9.5 x L 14 mm	10 mm	1 Pz
GM17SX	H 22 x L 14 x 2500 mm	H 9.5 x L 14 mm	10 mm	1 Pz



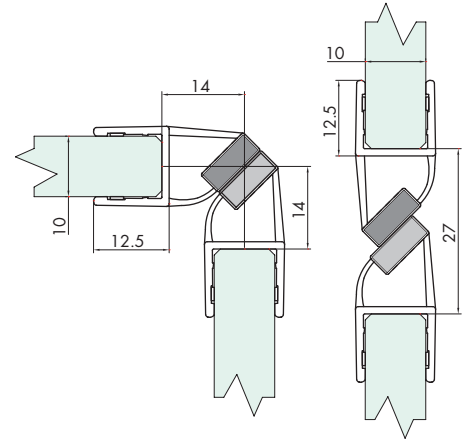
45° SHOWER BOX GASKET WITH MAGNET FOR 10/12 mm

90° Closing

Material: extruded PVC with left and right magnet

Colour: transparent, white magnet

Minimum package 10 PCS, also mixed



GM15DX - GM15SX

Art.	Dimensions	Glass	Q.ty
GM15DX	L 2500 mm	10 mm	1 Pz
GM15SX	L 2500 mm	10 mm	1 Pz



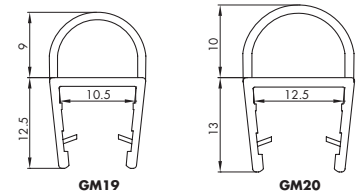
10-12 BALLOON SHOWER BOX GASKET

Balloon gasket

Material: hard and soft co-extruded PVC

Colour: transparent

Minimum package 10 PCS, also mixed



Art.	Dimensions	Bladder	For glass	Q.ty
GM19	H 21.5 x L 13.5 x 2500 mm	H 9 x L 13.5 mm	10 mm	1 Pz
GM20	H 23 x L 15.5 x 2500 mm	H 10 x L 15.5 mm	12 mm	1 Pz



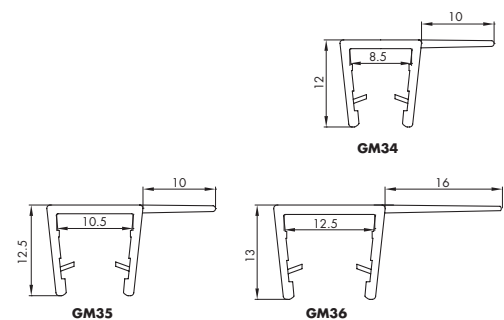
SHOWER BOX GASKET WITH 8-10-12 SIDE FLAP

Ledge gasket

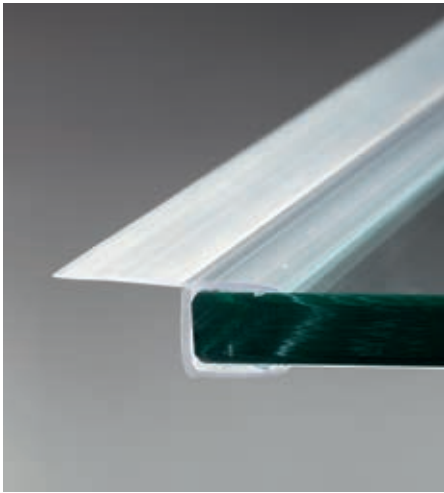
Material: hard and soft co-extruded PVC

Colour: transparent

Minimum package 10 PCS, also mixed



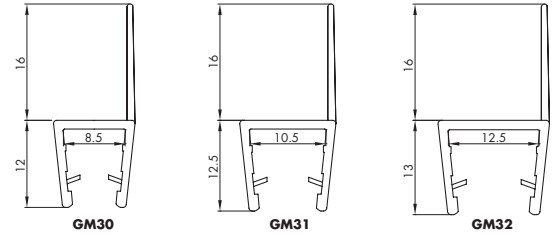
Art.	Dimensions	Wing	For glass	Q.ty
GM34	H 12 x L 21 x 2500 mm	H 10 mm	8 mm	1 Pz
GM35	H 12.5 x L 23 x 2500 mm	H 10 mm	10 mm	1 Pz
GM36	H 13 x L 31.5 x 2500 mm	H 16 mm	12 mm	1 Pz



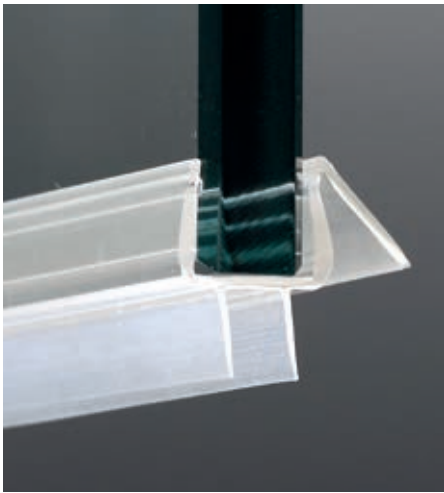
SHOWER BOX GASKET WITH LEDGE WITH 8-10-12 FLAP

Ledge gasket
Material: hard and soft co-extruded PVC
Colour: transparent

Minimum package 10 PCS, also mixed



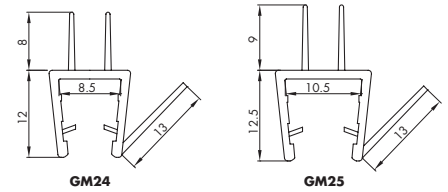
Art.	Dimensions	Strike	For glass	Q.ty
GM30	H 28 x L 11 x 2500 mm	H 16 mm	8 mm	1 Pz
GM31	H 28.5 x L 13 x 2500 mm	H 16 mm	10 mm	1 Pz
GM32	H 29 x L 15.5 x 2500 mm	H 16 mm	12 mm	1 Pz



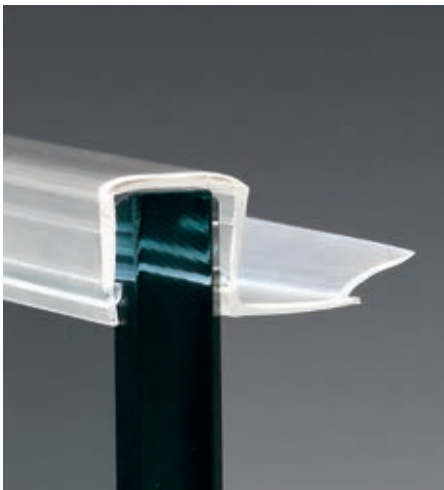
8-10-12 SHOWER BOX GASKET WITH DAM AND DEFLECTOR WITH FLAP

Gasket with three flaps
Material: hard and soft co-extruded PVC
Colour: transparent

Minimum package 10 PCS, also mixed



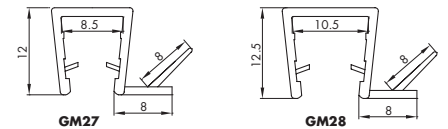
Art.	Dimensions	Barrage	Deflector	For glass	Q.ty
GM24	H 20 x L 11 x 2500 mm	H 8 mm	L 13 mm	8 mm	1 Pz
GM25	H 21.5 x L 13 x 2500 mm	H 9 mm	L 13 mm	10 mm	1 Pz



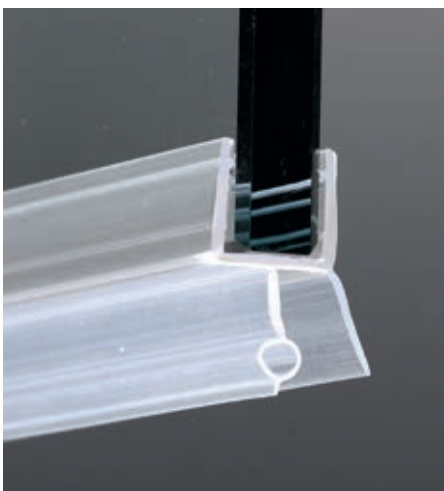
8-10-12 SHOWER BOX GASKET WITH REBATE AND FLAP

Rebate gasket
Material: hard and soft co-extruded PVC
Colour: transparent

Minimum package 10 PCS, also mixed



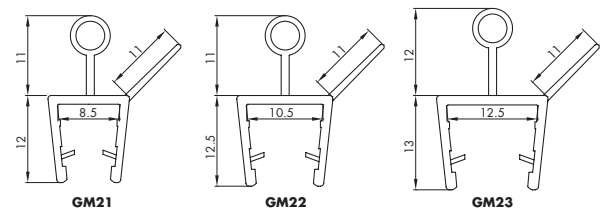
Art.	Dimensions	Strike	Wing	For glass	Q.ty
GM27	H 12 x L 11 x 2500 mm	H 8 mm	L 8 mm	8 mm	1 Pz
GM28	H 12.5 x L 13 x 2500 mm	H 8 mm	L 8 mm	10 mm	1 Pz



8-10-12 SHOWER BOX GASKET WITH BALLOON DAM AND DEFLECTOR WITH FLAP

Gasket with dam
Material: hard and soft co-extruded PVC
Colour: transparent

Minimum package 10 PCS, also mixed



Art.	Dimensions	Barrage	Deflector	For glass	Q.ty
GM21	H 23 x L 11 x 2500 mm	H 11 mm	L 11 mm	8 mm	1 Pz
GM22	H 23.5 x L 13 x 2500 mm	H 11 mm	L 11 mm	10 mm	1 Pz
GM23	H 25 x L 15.5 x 2500 mm	H 12 mm	L 11 mm	12 mm	1 Pz



8/10 BALLOON SHOWER BOX GASKET

Balloon gasket
 Material: hard and soft co-extruded PVC
 Features: UV ray-resistant,
Fungicide formulas against mould growth
 Colour: transparent, bladder embossed

Minimum package 10 PCS, also mixed



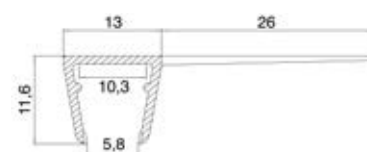
Art.	Dimensions	For glass	Q.ty
GM06	Lunghezza 2000 mm	8/10 mm	1 Pz
GM063000	Lunghezza 3000 mm	8/10 mm	1 Pz



8/10 STRAIGHT FLAP SHOWER BOX GASKET

Ledge gasket
 Material: hard and soft co-extruded PVC
 Features: UV ray-resistant,
Fungicide formulas against mould growth
 Colour: transparent, wing embossed

Minimum package 10 PCS, also mixed



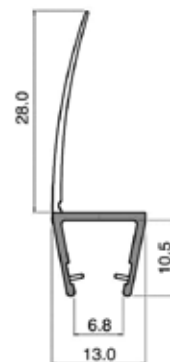
Art.	Dimensions	For glass	Q.ty
GM14	Lunghezza 2000 mm	8/10 mm	1 Pz
GM143000	Lunghezza 3000 mm	8/10 mm	1 Pz



IN LINE 8/10 SHOWER BOX GASKET

In line drip
 Material: hard and soft co-extruded PVC
Fungicide formulas against mould growth
 Colour: transparent, wing embossed

Minimum package 10 PCS, also mixed



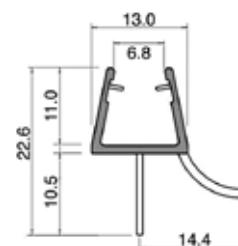
Art.	Dimensions	Wing	For glass	Q.ty
GM04	H 39.5 x L 13 x 2000 mm	28 mm	8/10	1 Pz
GM042500	H 39.5 x L 13 x 2500 mm	28 mm	8/10	1 Pz



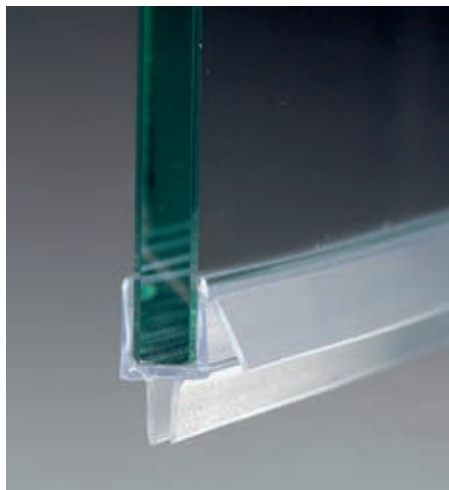
8/10 2-FLAP SHOWER BOX GASKET

2-flap drip
 Material: hard and soft co-extruded PVC
Fungicide formulas against mould growth
 Colour: transparent, wing embossed

Minimum package 10 PCS, also mixed

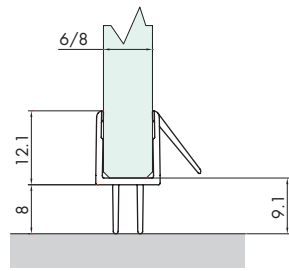


Art.	Dimensions	Wing	For glass	Q.ty
GM02	H 22.6 x L 13 x 2000 mm	10.5 mm	8/10	1 Pz
GM022500	H 22.6 x L 13 x 2500 mm	10.5 mm	8/10	1 Pz



SHOWER BOX GASKET WITH BARRAGE AND BAFFLE FOR 6/8 mm

Material: co extruded PVC
Features: sealing gasket to be placed horizontally
UV resistant
Fungicide formulas against mould growth
Max operating conditions 70° C
Colour: transparent, wing embossed



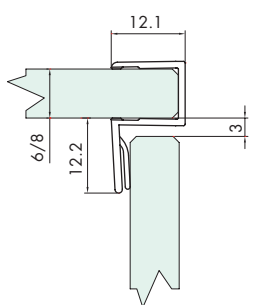
Minimum package 10 PCS, also mixed

Art.	Dimensions	Barrage	Glass	Q.ty
GM5630	L 3000 mm	8 mm	6/8 mm	1 Pz



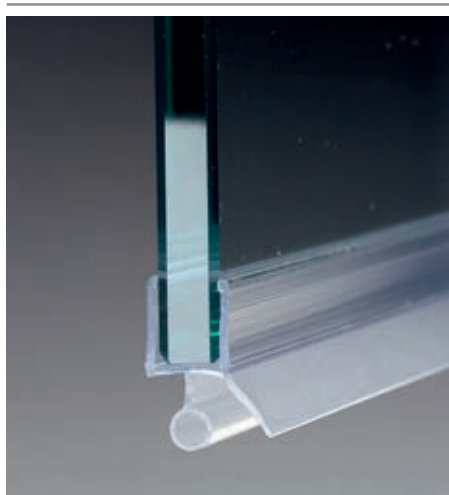
SHOWER BOX GASKET WITH 90° STRIKE WING FOR 6/8 mm

Material: co extruded PVC
Features: strike gasket to be placed vertically
UV resistant
Fungicide formulas against mould growth
Max operating conditions 70° C
Colour: transparent, wing embossed



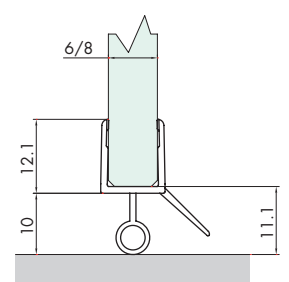
Minimum package 10 PCS, also mixed

Art.	Dimensions	Strike	Glass	Q.ty
GM58	L 2200 mm	12.2 mm	6/8 mm	1 Pz
GM5830	L 3000 mm	12.2 mm	6/8 mm	1 Pz



SHOWER BOX GASKET WITH BALLOON BARRAGE AND WING BAFFLE FOR 10/12 mm

Material: co extruded PVC
Features: sealing gasket to be placed horizontally
UV resistant
Fungicide formulas against mould growth
Max operating conditions 70° C
Colour: transparent, embossed wings



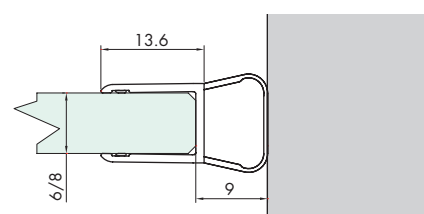
Minimum package 10 PCS, also mixed

Art.	Dimensions	Bladder	Glass	Q.ty
GM6030	L 3000 mm	10 mm	6/8 mm	1 Pz



INNER TUBE SHAPED SHOWER BOX GASKET FOR 6/8 mm

Material: co extruded PVC
Features: sealing gasket to be placed vertically
UV resistant
Fungicide formulas against mould growth
Max operating conditions 70° C
Colour: transparent, bladder transparent



Minimum package 10 PCS, also mixed

Art.	Dimensions	Bladder	Glass	Q.ty
GM62	L 2200 mm	9 mm	6/8 mm	1 Pz
GM6230	L 3000 mm	9 mm	6/8 mm	1 Pz



45° SHOWER BOX GASKET WITH MAGNET FOR 6/8 mm

Material: extruded PVC with left or right magnet

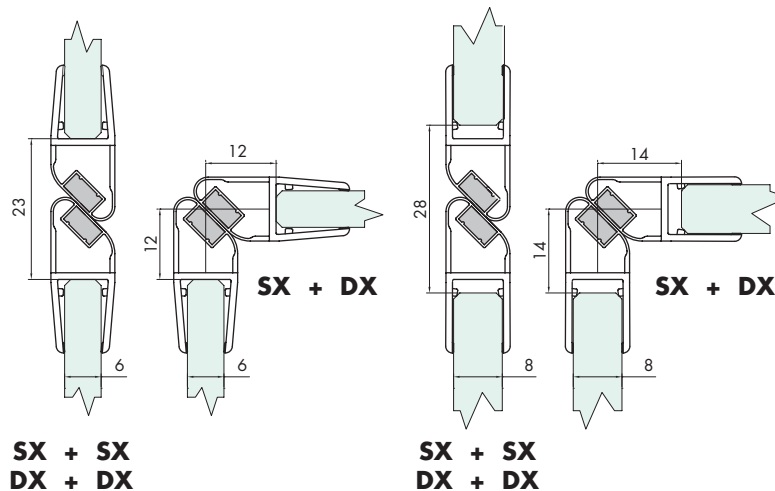
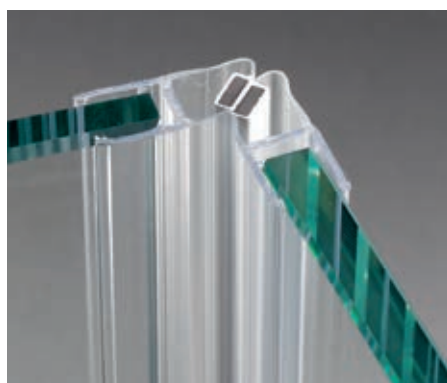
Features: 90° sealing gasket to be placed vertically using one right and one left magnet

UV resistant - Max operating conditions 70° C

Fungicide formulas against mould growth

Colours: transparent, white magnet

Minimum package 10 PCS, also mixed



Art.	Dimensions	Glass	Q.ty
GM62DX	L 2200 mm	6/8 mm	1 Pz
GM6230DX	L 3000 mm	6/8 mm	1 Pz
GM62SX	L 2200 mm	6/8 mm	1 Pz
GM6230SX	L 3000 mm	6/8 mm	1 Pz



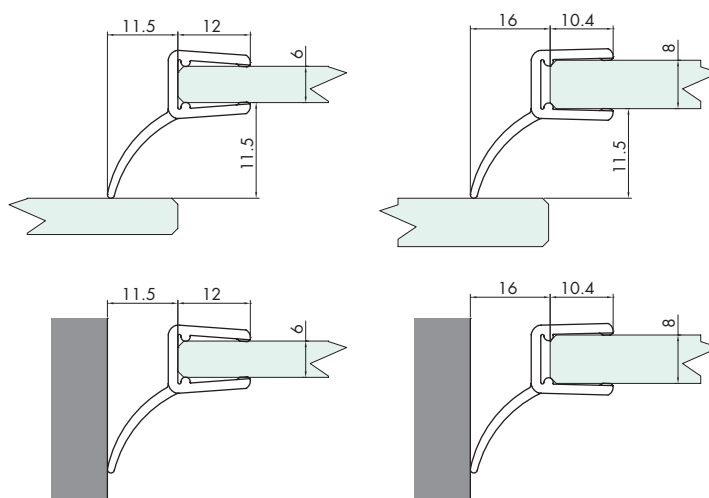
SHOWER BOX GASKETS WITH OVER LAPPING WING FOR 6/8 mm

Material: extruded PVC

Features: UV resistant, fungicide formulas to prevent mold

Colour: transparent, embossed wing

Minimum package 10 PCS, also mixed

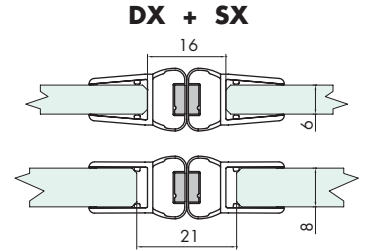


Art.	Dimensions	Glass	Q.ty
GM073000	L 3000 mm	6/8 mm	1 Pz



SHOWER BOX GASKET WITH MAGNET FOR 6/8 mm

Material: extruded PVC with left or right magnet
Features: sealing gasket to be placed vertically using one right and one left magnet
UV resistant - Max operating conditions 70° C
Fungicide formulas against mould growth
Colours: transparent, white magnet



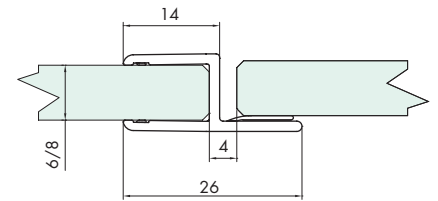
Minimum package 10 PCS, also mixed

Art.	Dimensions	Glass	Q.ty
GM66DX	L 2200 mm	6/8 mm	1 Pz
GM6630DX	L 3000 mm	6/8 mm	1 Pz
GM66SX	L 2200 mm	6/8 mm	1 Pz
GM6630SX	L 3000 mm	6/8 mm	1 Pz



H SHAPED SHOWER BOX GASKETS FOR 6/8 mm

Strike gasket
Material: extruded PVC
Features: UV resistant,
Fungicide formulas against mould growth
Colour: transparent, wing embossed



Minimum package 10 PCS, also mixed

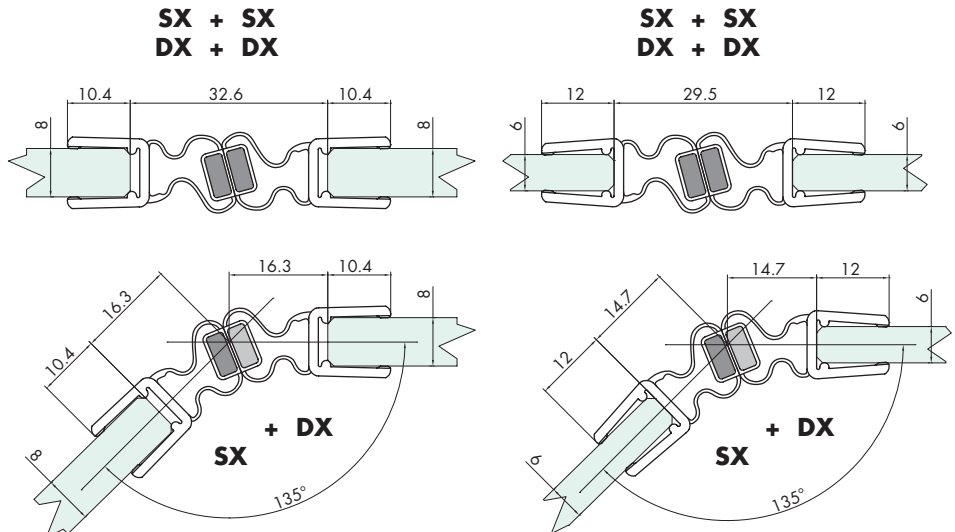
Art.	Dimensions	Strike	Glass	Q.ty
GM01	L 2000 mm	12 mm	6/8 mm	1 Pz
GM012200	L 2200 mm	12 mm	6/8 mm	1 Pz
GM013000	L 3000 mm	12 mm	6/8 mm	1 Pz



SHOWER BOX GASKETS WITH MAGNET FOR 6/8 mm

Universal gasket with magnet
Material: soft and hard extruded PVC
Fungicide formulas against mould growth
Colours: transparent, white magnet

Minimum package 10 PCS, also mixed



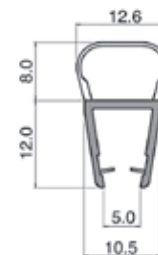
Art.	Dimensions	Glass	Q.ty
GM13DX3000	L 3000 mm	6/8 mm	1 Pz
GM13SX3000	L 3000 mm	6/8 mm	1 Pz



BALLOON GASKET FOR SHOWER BOX 6/8

Drip moulding with balloon
Material: coextruded hard and soft PVC
Fungicide formulas against mould growth
Colore: trasparente, palloncino gofrato

Minimum package 10 PCS, also mixed



Art.	Dimensions	Bladder	For glass	Q.ty
GM05	H 20 x L 13 x 2000 mm	H 8 x L 12.6 mm	6/8	1 Pz
GM052500	H 20 x L 13 x 2500 mm	H 8 x L 12.6 mm	6/8	1 Pz

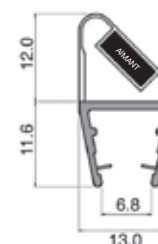


90° MAGNETIC GASKET FOR SHOWER BOX 6/8

Material: coextruded hard and soft PVC
Features: 90° and 180° gasket with right and left magnet.
Fungicide formulas against mould growth
Colours: transparent, black magnet

Minimum package 10 PCS, also mixed

DX + SX = 90° / 180°



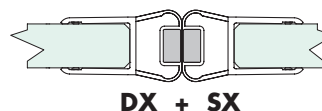
Art.	Dimensions	Bladder	For glass	Q.ty
GM12DX	H 33.6 x L 13 x 2000 mm	H 12 x L 13 mm	6/8	1 Pz
GM12DX2500	H 33.6 x L 13 x 2500 mm	H 12 x L 13 mm	6/8	1 Pz
GM12SX	H 33.6 x L 13 x 2000 mm	H 12 x L 13 mm	6/8	1 Pz
GM12SX2500	H 33.6 x L 13 x 2500 mm	H 12 x L 13 mm	6/8	1 Pz



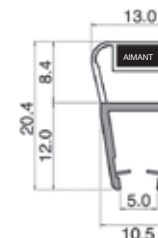
180° MAGNETIC GASKET FOR SHOWER BOX 6/8

180° closure
Material: coextruded hard and soft PVC with right and left magnet
Fungicide formulas against mould growth
Colours: transparent, black magnet

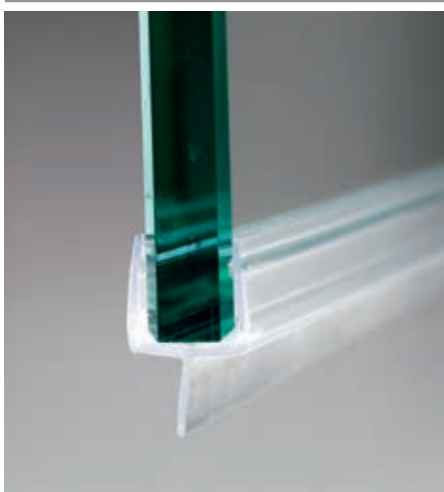
Minimum package 10 PCS, also mixed



DX + SX



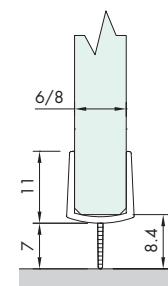
Art.	Dimensions	Bladder	For glass	Q.ty
GM11DX	H 20.4 x L 10.5 x 2000 mm	H 8 x L 13 mm	6/8	1 Pz
GM11DX2500	H 20.4 x L 10.5 x 2500 mm	H 8 x L 13 mm	6/8	1 Pz
GM11SX	H 20.4 x L 10.5 x 2000 mm	H 8 x L 13 mm	6/8	1 Pz
GM11SX2500	H 20.4 x L 10.5 x 2500 mm	H 8 x L 13 mm	6/8	1 Pz



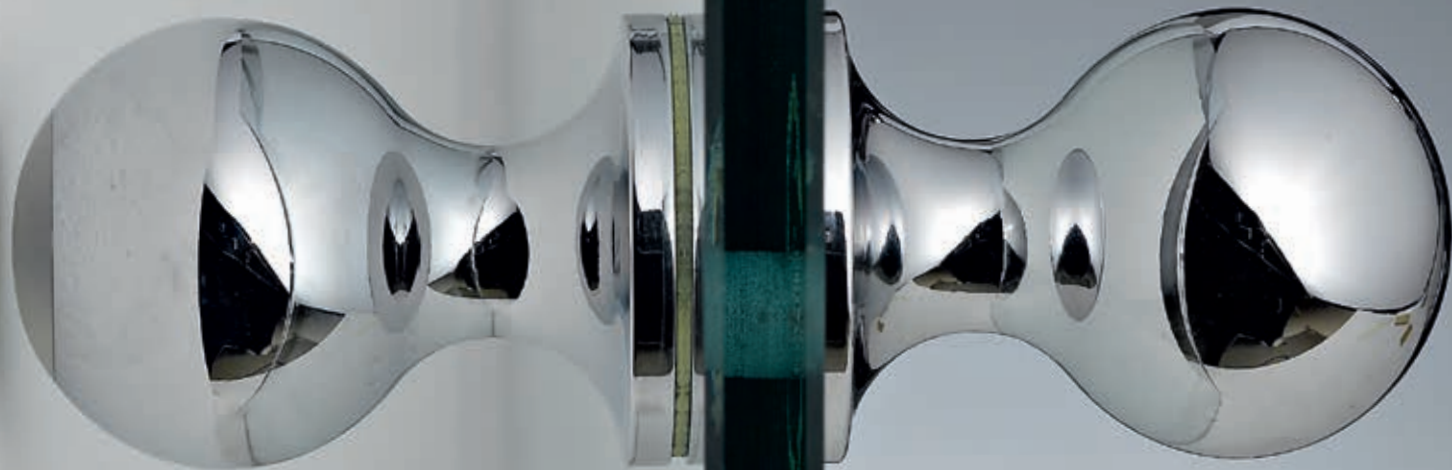
SHOWER BOX GASKET WITH BARRAGE FOR 6/8 mm

Material: co extruded PVC
Colour: transparent

Minimum package 10 PCS, also mixed



Art.	Dimensions	Barrage	For glass	Q.ty
GM822500	H 7 x L 11 x 2500 mm	H 7 mm	6/8	1 Pz



PAIR OF BRASS / PVC KNOBS Ø30x45 mm

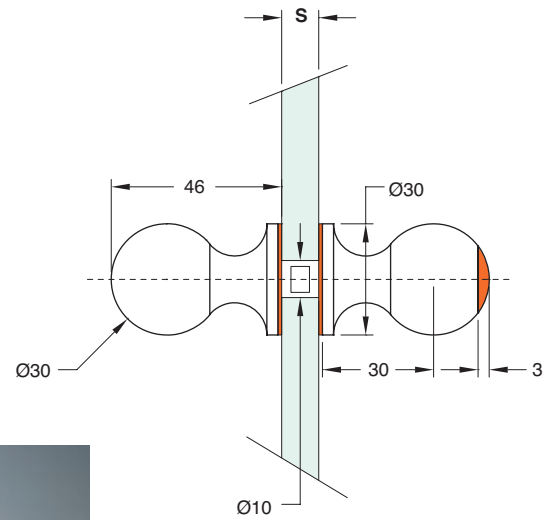
Material: brass, CNC machined

Features: pair of knobs to be used in the situations in which the knob is forced to come into contact with a wall, such as: glass, tiles, etc. the rubber part will prevent damage and will reduce noise from contact

Finish: chrome, satin nickel finish



transparent PVC

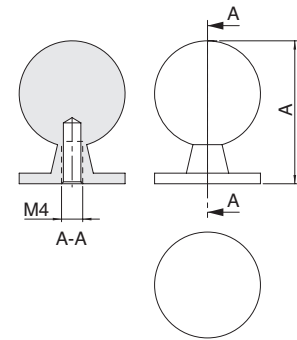


Art	Dimensions	Minimum hole	Glass	Q.ty
POMPVC	2 x Ø30 x 45 mm	10 mm	6/15	1 Pair

BALL KNOBS Ø20/25/30/35

Material: brass

Finish: chrome, gold, satin nickel finish, bronze

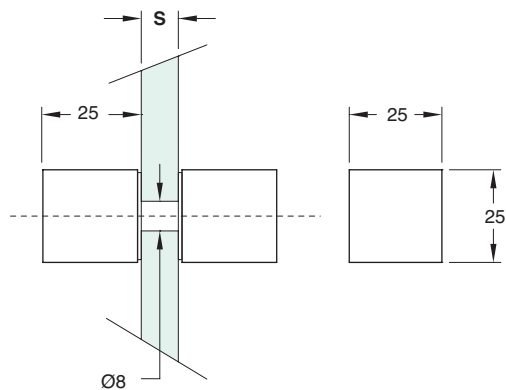


Art.	Dimensions	For glass	Hole	Q.ty
POM01	Ø20 x A27 mm x M4	6 / 15 mm	min. 6 mm	1 Pc
POM02	Ø25 x A33 mm x M4	6 / 15 mm	min. 6 mm	1 Pc
POM03	Ø30 x A39 mm x M4	6 / 19 mm	min. 6 mm	1 Pc
POM04	Ø35 x A45 mm x M4	6 / 19 mm	min. 6 mm	1 Pc

PAIR OF BRASS KNOBS 25 X 25 X 25

Material: brass, CNC machined

Finish: chrome, stainless steel imitation

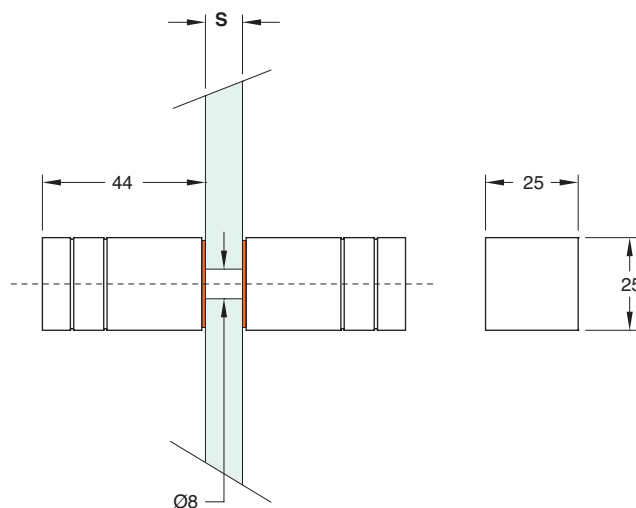


Art	Dimensions	Minimum Hole	Glass	Screw	Q.ty
DQP2525	25 x 25 + 25 mm	8 mm	8/15	M6 L=35 mm	1 Pair

PAIR OF BRASS KNOBS 25 X 25 X 44

Material: brass, CNC machined

Finish: chrome, stainless steel imitation

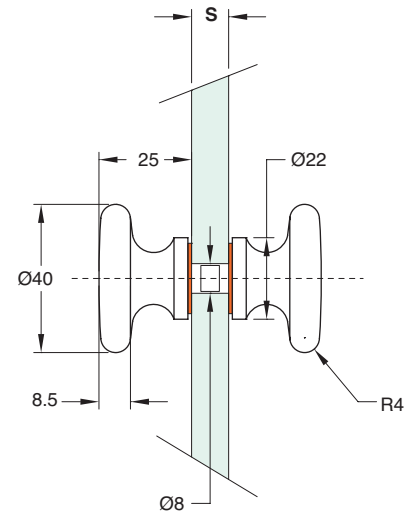


Art	Dimensions	Minimum Hole	Glass	Screw	Q.ty
POM2525	25 x 25 + 44 mm	8 mm	8/15	M6 L=35 mm	1 Pair



**PAIR OF BRASS KNOBS
Ø40x24 mm FLAT**

Material: brass, CNC machined
Finish: chrome, satin nickel finish

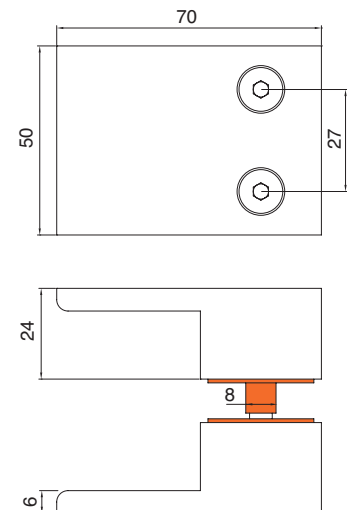


Art	Dimensions	Minimum hole	Glass	Q.ty
POM45PT	2 x Ø40 x 24 mm	8 mm	8/15	1 Pair



SQUARE HANDLE

Material: brass
Finish: chrome

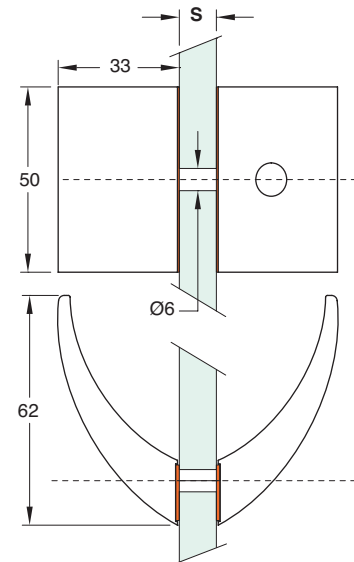


Art	Dimensions	Minimum hole	Glass	Q.ty
MNQ2470	2 x H50 x L70 x P24 mm	10 mm	8/12 mm	1 Pair



HANDLE 2030

Material: brass
Finish: chrome, imitation satin-finished steel



Art.	Overall dimensions	For glass	Hole	Q.ty
MN2030	2 x H50 x L62 x D33 mm	6/8 mm	6/8 mm	1 Pair

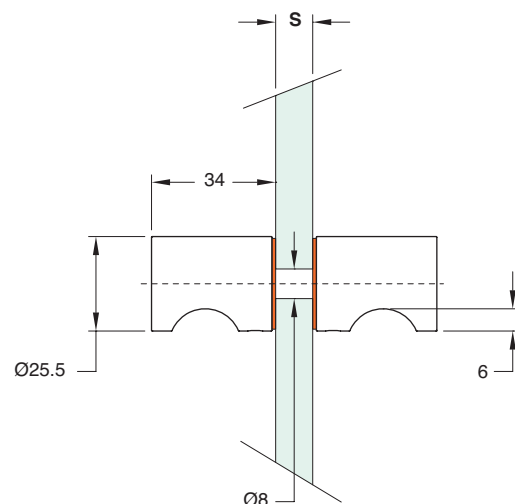
PAIR OF BRASS KNOBS Ø25x32 mm

Material: brass, CNC machined

With gaskets and M6 threaded bar.

With grip to ease door opening

Finish: chrome, imitation satin-finished steel



Art.	Overall dimensions	For glass	Minimum hole	Q.ty
SP2255	2 x Ø25.5 x 32.5 mm x M6	8/12	8 mm	1 Pair

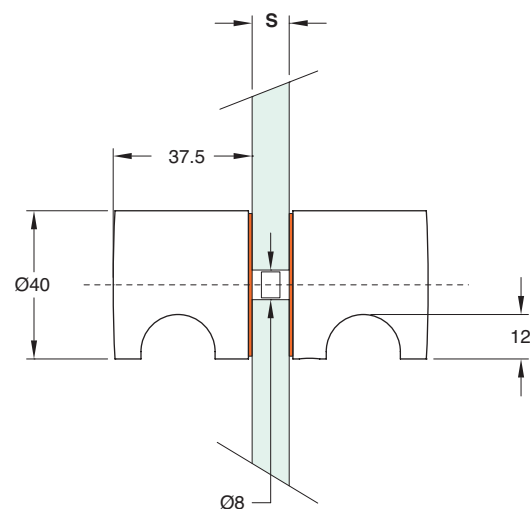
PAIR OF BRASS KNOBS Ø40x37 mm

Material: brass, CNC machined

With gaskets and M6 threaded bar.

With grip to ease door opening

Finish: chrome, imitation satin-finished steel

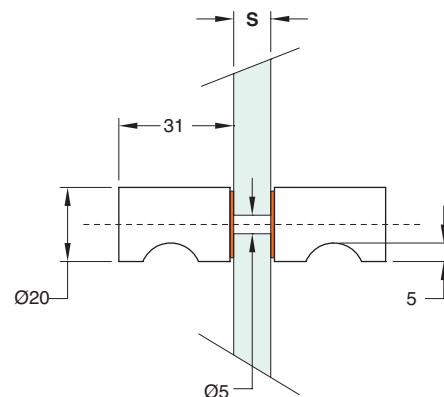


Art.	Overall dimensions	For glass	Minimum hole	Q.ty
SP255	2 x Ø40 x 37 mm x M6	8/19	8 mm	1 Pair

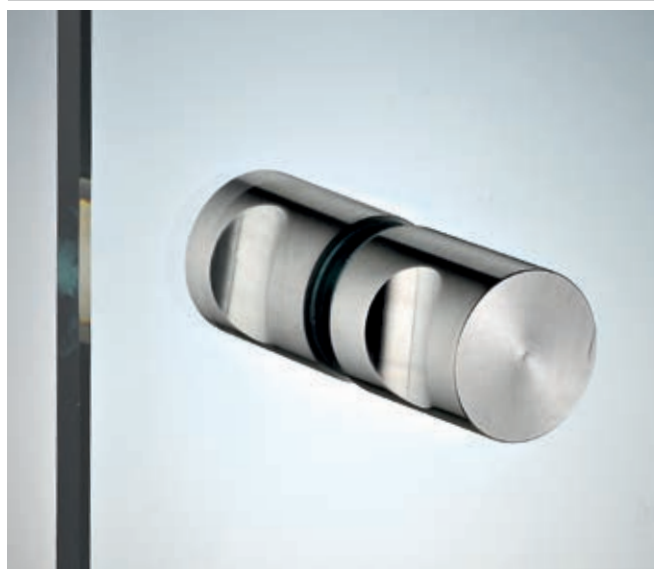


PAIR OF STEEL KNOBS Ø20

Material: AISI 304 stainless steel, CNC machined
 With gaskets and M4 threaded bar
 With grip to ease door opening
 Finish: CNC steel

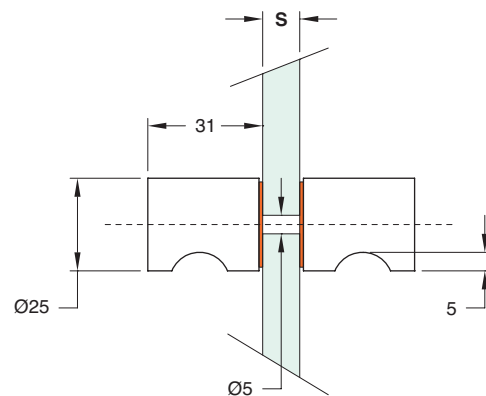


Art.	Overall dimensions	For glass	Hole	Q.ty
POM1ACC20	2 x Ø20 x 30 mm x M4	5/15 mm	minimum 5 mm	1 Pair



PAIR OF STEEL KNOBS Ø25

Material: AISI 304 stainless steel, CNC machined
 With gaskets and M4 threaded bar
 With grip to ease door opening
 Finish: CNC steel



Art.	Overall dimensions	For glass	Hole	Q.ty
POM1ACC25	2 x Ø25 x 30 mm x M4	5/15	minimum 5 mm	1 Pair



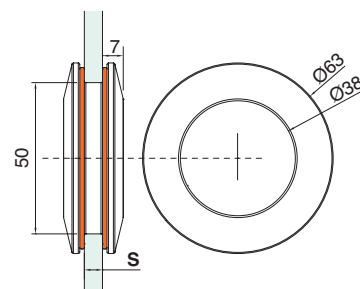
MAT8314



MAT8320

HANDLE 83

Material: AISI 304 stainless steel
 Finish: polished steel, satin steel



Art.	Dimensions	Hole	Glass	Q.ty
MAT8314	Ø 63 mm - OPEN	Ø 50 mm	6/10 mm	1 Pc
MAT8320	Ø 63 mm - CLOSE	Ø 50 mm	6/10 mm	1 Pc

SOLEIL ROYAL SERIES PAIR OF KNOBS Ø40 mm

Material: AISI 304 steel

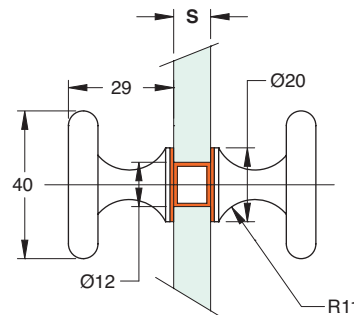
Features: knob designed with care paying attention to the smallest detail. It has a mirrored effect finish and a "star" reflex effect on its head.

Precision machining with the use of high quality material and tooling performance, gives the knob unique features in its kind.

Finish: CNC steel



REGISTERED MODEL



Art.	Dimensions	Glass hole	Glass	Q.ty
POM8	2 x Ø40 mm x L 29 mm	12 mm	6/10 mm	1 Pair

ÉTOILE SERIES PAIR OF KNOBS Ø30 mm

Material: AISI 304 steel

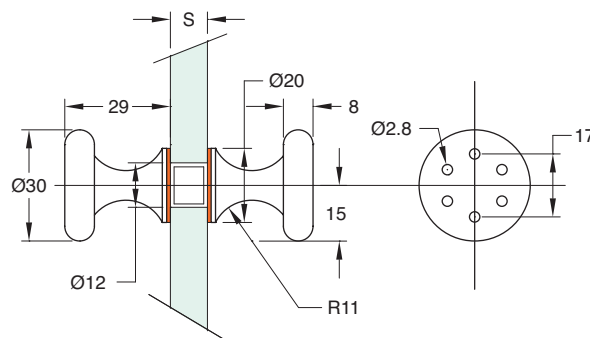
Features: knob designed with care paying attention to the smallest detail. It has a mirrored effect finish and a "star" reflex effect on its head.

Precision machining with the use of high quality material and tooling performance, gives the knob unique features in its kind.

Finish: CNC steel



REGISTERED MODEL



Art.	Dimensions	Glass hole	Glass	Q.ty
POM10	2 x Ø30 mm x L 29 mm	12 mm	6/10 mm	1 Pair

LUMIÈRE SERIES PAIR OF KNOBS Ø24 mm

Material: AISI 304 steel

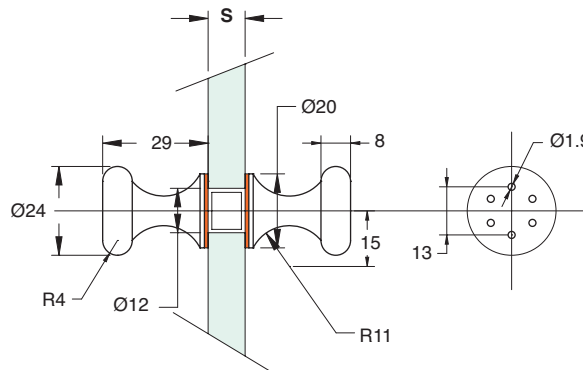
Features: knob designed with care paying attention to the smallest detail. It has a mirrored effect finish and a "star" reflex effect on its head.

Precision machining with the use of high quality material and tooling performance, gives the knob unique features in its kind.

Finish: CNC steel



REGISTERED MODEL



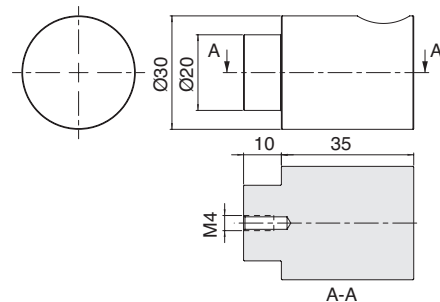
Art.	Dimensions	Glass hole	Glass	Q.ty
POM6	2 x Ø24 mm x L 29 mm	12 mm	6/10 mm	1 Pair

CYLINDRICAL KNOB 28 S

Excellent water resistance

Material: glass glued onto AISI 304 stainless steel base

Colour: satin-finished glass



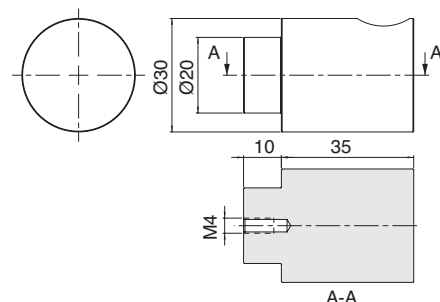
Art.	Overall dimensions	Base	Hole	Q.ty
VETPOM13328S	Ø30 x 35 H 45 mm	Ø20 x 10 mm x M4	minimum 5 mm	1 Pc

CYLINDRICAL KNOB 28 T

Excellent water resistance

Material: glass glued onto AISI 304 stainless steel base

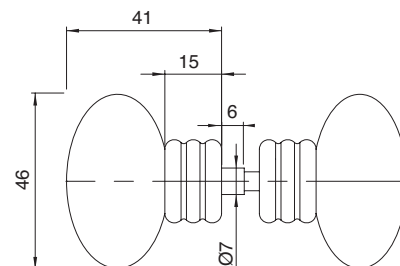
Colour: transparent glass with satin-finished face



Art.	Overall dimensions	Base	Hole	Q.ty
VETPOM13328T	Ø30 x 35 H 45 mm	Ø20 x 10 mm x M4	minimum 5 mm	1 Pc

COMPRESSED KNOBS Ø45 for shower boxes

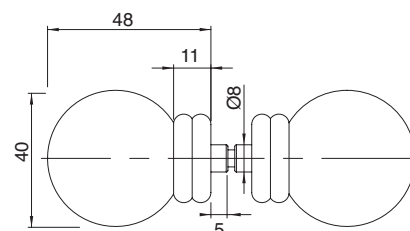
Material: glass glued onto brass base
 Glass colour: satin-finished, transparent
 Base finish: chrome, gold, satin nickel finish



Art.	Overall knob dimensions	Base	For glass	Hole	Q.ty
POM45	Ø45 x 45 mm x cylinder 7.5 x 5 mm	Ø21 mm	5/10 mm	minimum 10 mm	1 Pair

KNOBS Ø40 for shower boxes

Material: glass glued onto brass base
 Glass colour: transparent with bubbles, transparent, satin-finished, transparent coloured and satin-finished coloured
 For the coloured one minimum order 5 pairs per colour
 Base finish: chrome, gold, satin nickel finish

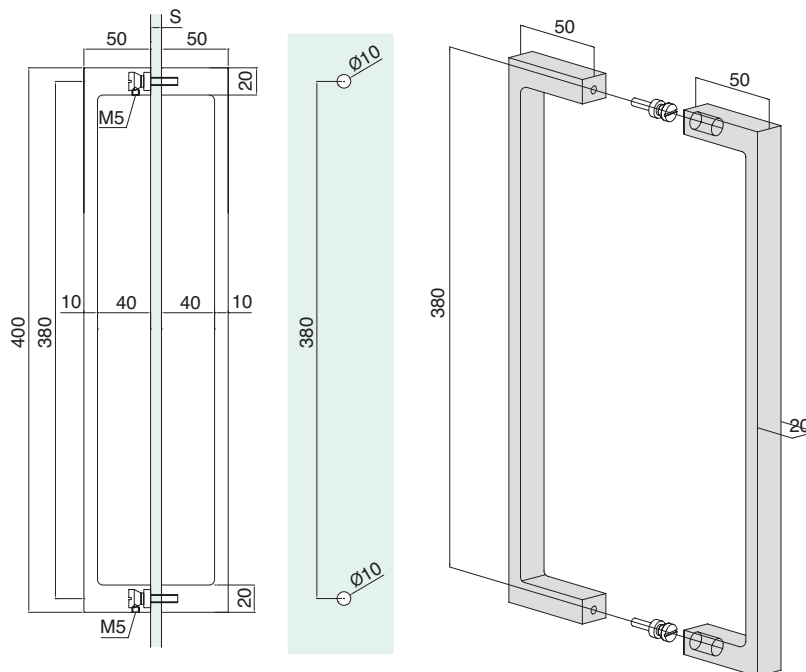


Art.	Overall knob dimensions	Base	For glass	Hole	Q.ty
POMBD40	Ø40 x 45 mm x cylinder Ø7.5 x 5 mm	Ø25 mm	8/10 mm	minimum 10 mm	1 Pair



HANDLE 1340

Material: zinc alloy
 Features: pair of handles with fixing screws M5
 Grip distance: 40 mm
 Holes interaxis: 380 mm
 Finish: chrome, stainless steel effect



Art.
PMAN1340

Dimensions
L 400 x H 50 x 20 mm

Holes
Ø 10 mm

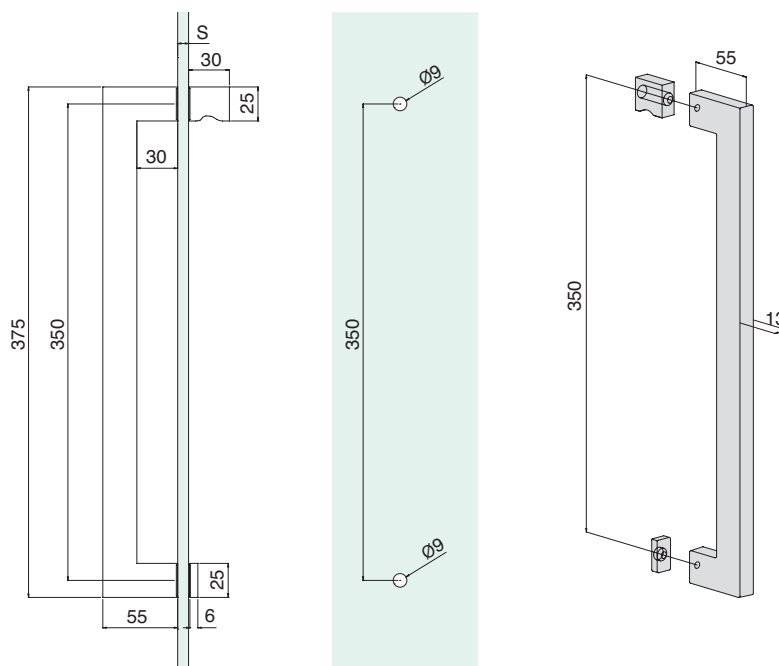
Glass
6/10 mm

Q.ty
1 Pair



HANDLE 1131

Material: zinc alloy
 Features: handle with knob included fixing screws M5
 Grip distance: 30 mm
 Holes interaxis: 350 mm
 Finish: polished steel (chrome knob)



Art.
PMAN1131

Handle Dimensions
L 375 x H 55 x 13 mm

Knob dimensions
L 25 x H 30 x 13 mm

Holes
Ø 9 mm

Glass
6/8 mm

Q.ty
1 Set



HANDLE 1530

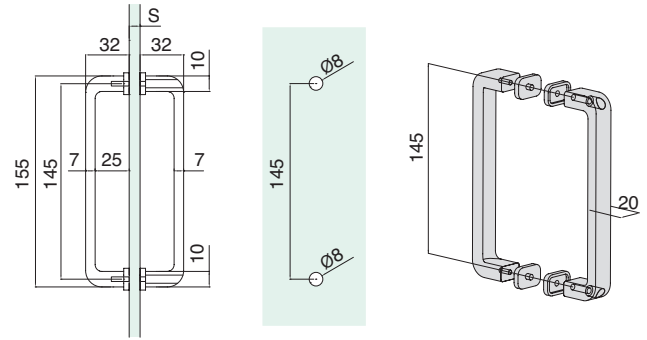
Material: zamak

Features: pair of handles with fixing screws M4 and hole caps

Grip distance: 25 mm

Holes interaxis: 145 mm

Finish: chrome, stainless steel effect



Art.
PMAN1530

Dimensions
L 155 x H 32 x 20 mm

Holes
Ø10 mm

Glass
6/8 mm

Q.ty
1 Pair



HANDLE 90

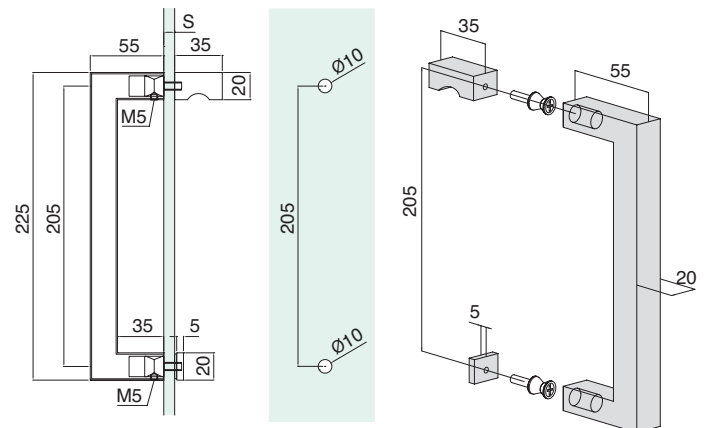
Material: AISI 304 stainless steel

Features: handle with knob included fixing screws M5

Grip distance: 35 mm

Holes interaxis: 205 mm

Finish: polished steel (chrome knob)



Art.
PMAN90

Handle Dimensions
L 225 x H 55 x 20 mm

Knob dimensions
L 35 x H 20 x 20 mm

Holes
Ø 10 mm

Glass
6/8 mm

Q.ty
1 Set



HANDLE FOR SHOWER BOX 1389

Pair of zamak handles
Glass: 6/8
Dimensions: L 142 x H 27 mm
(per handle)
Grip distance: 21.5 mm
Holes centre-to-centre: 128 mm
Hole: between 5 and 9 mm
Finish: chrome

Art.
PMAN1389

Q.ty
1 Pair



HANDLE FOR SHOWER BOX 1375

Pair of zamak handles
Glass: 6/8
Dimensions: L 149 x H 28 mm
(per handle)
Grip distance: 17 mm
Holes centre-to-centre: 128 mm
Hole: between 5 and 9 mm
Finish: chrome

Art.
PMAN1375

Q.ty
1 Pair



HANDLE FOR SHOWER BOX 1376

Pair of zamak handles
Glass: 6/8
Dimensions: L 150 x H 27 mm
(per handle)
Grip distance: 19 mm
Holes centre-to-centre: 128 mm
Hole: between 5 and 11 mm
Finish: chrome

Art.
PMAN1376

Q.ty
1 Pair



HANDLE FOR SHOWER BOX 1393

Pair of zamak handles
Glass: 6/8
Dimensions: L 115 x H 25 mm
(per handle)
Grip distance: 19.2 mm
Holes centre-to-centre: 96 mm
Hole: between 5 and 14 mm
Finish: chrome

Art.
PMAN1393

Q.ty
1 Pair



HANDLE FOR SHOWER BOX 1387

Pair of zamak handles
Glass: 6/8
Dimensions: L 184 x H 24 mm
(per handle)
Grip distance: 13 mm
Holes centre-to-centre: 160 mm
Hole: between 5 and 11 mm
Finish: chrome

Art.
PMAN1387

Q.ty
1 Pair



HANDLE FOR SHOWER BOX 1381

Pair of zamak handles
Glass: 6/8
Dimensions: L 148 x H 25 mm
(per handle)
Grip distance: 16 mm
Holes centre-to-centre: 128 mm
Hole: between 5 and 11 mm
Finish: chrome

Art.
PMAN1381

Q.ty
1 Pair

SYSTEMS FOR
BALUSTRADES

SYSTEMS FOR
OUTDOORS

SYSTEMS FOR
GLASS PARTITIONS

STEEL
SYSTEMS FOR
SLIDING DOORS

ALUMINIUM
SYSTEMS FOR
SLIDING DOORS

SYSTEMS FOR
HINGED DOORS

PULL HANDLES
AND KNOBS

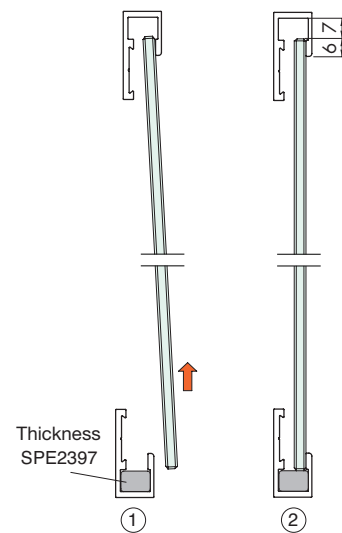
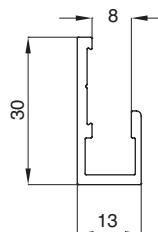
SYSTEMS FOR
SHOWER PARTITIONS





SINGLE MIRROR SUPPORTING PROFILE MTS

Material: Aluminium (6060 T6)
 Description: Single profile to support large-sized mirrors
 Finish: matt aluminium, chrome

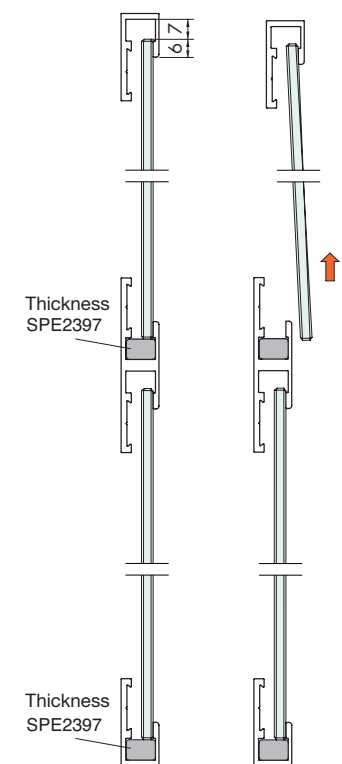
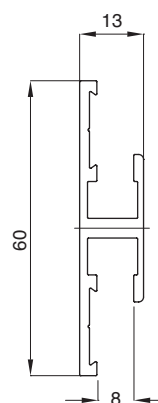


Art.	Dimensions	For thickness	Q.ty
MTS3000	30 x 13 x L 3000 mm	4 / 6 mm	1 Pc
MTS3000KR	30 x 13 x L 2997 mm	4 / 6 mm	1 Pc
MTS3600KR	30 x 13 x L 6000 mm	4 / 6 mm	1 Pc



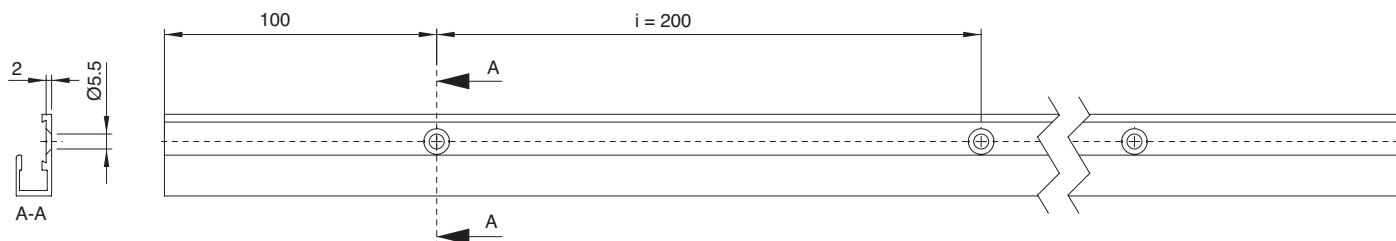
DOUBLE MIRROR SUPPORTING PROFILE MTD

Material: Aluminium (6060 T6)
 Description: Double profile to support large-sized mirrors
 Finish: matt aluminium, chrome



Art.	Dimensions	For thickness	Q.ty
MTD3000	60 x 13 x L 3000 mm	4 / 6 mm	1 Pc
MTD3000KR	60 x 13 x L 2997 mm	4 / 6 mm	1 Pc
MTD3600KR	60 x 13 x L 6000 mm	4 / 6 mm	1 Pc

DRILLING DIAGRAM

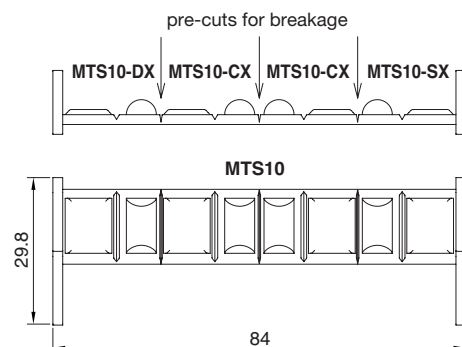


MTS10 MODULAR LOCKING ACCESSORY

Material: Plastic material (POM)

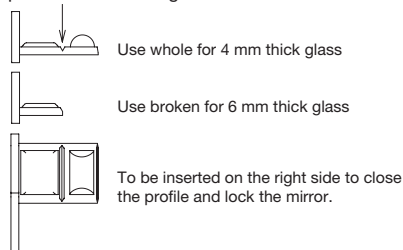
Description: The fixing plate (for MTS/MTD) can be broken in several places in order to create the right thickness for 4 or 6 mm mirrors and to be inserted to the right, left or centre of the profile. For every plate you obtain 1 right MTS10, 1 left MTS10 and 2 central MTS10.

Finish: Light grey



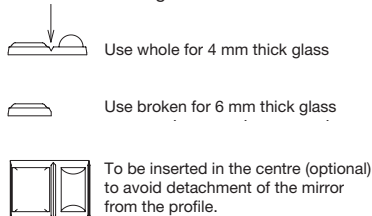
MTS10-DX

pre-cuts for breakage



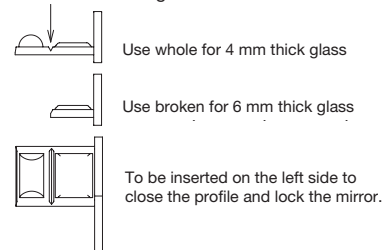
MTS10-CX

pre-cuts for breakage



MTS10-SX

pre-cuts for breakage



Art.
MTS10

Dimensions
29.8 x 84 mm

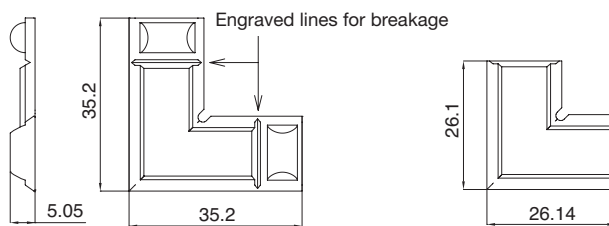
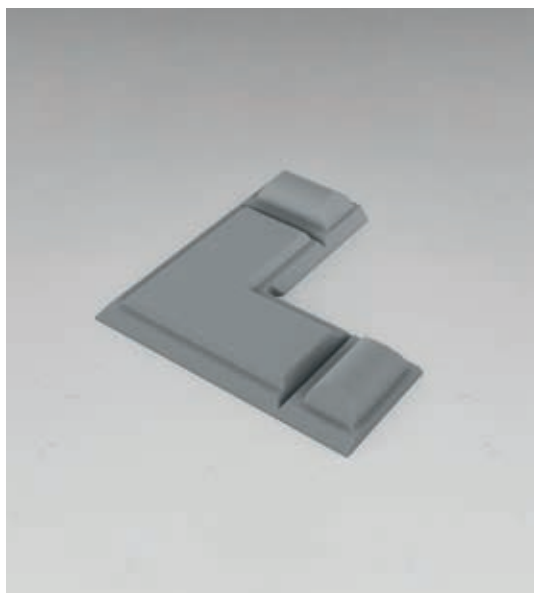
Q.ty
1 Pc

MTS90 90° JOINT ACCESSORY

Material: Plastic material (POM)

Description: the plate allows joining 2 MTS or MTD profiles at 90°: by using this it is possible to create frames with the aluminium profiles containing the mirror. The plate can be broken on the engraved lines to create the required thickness for 4 or 6 mm mirrors.

Finish: Light grey



Use the whole accessory for 4 mm glasses

Use it broken for 6 mm glasses

Art.
MTS90

Dimensions
35.2 x 35.2 mm

Q.ty
1 Pc

PLASTIC THICKNESSES

Description: plastic thickness for the installation of single and double-glazed panes. Put the thicknesses inside the MTS and MTD profiles (placed under the mirror), one every 200 mm.



Art.
SPE2397

Couleur
Grey

Dimensions
Thickness 7 mm Width 10 mm Length 30 mm

Q.ty
1 kg

MIRROR ANCHORING FRAMES

Material: pre-painted AVP sheet metal

Frame thickness: 24 mm



Art.	Description	Dimensions	Q.ty
LR900	Without switch and socket	H 1100 x 150 mm	1 Pair
LR1000	Without switch and socket	H 800 x 150 mm	1 Pair
LR1100	Without switch and socket	H 600 x 150 mm	1 Pair

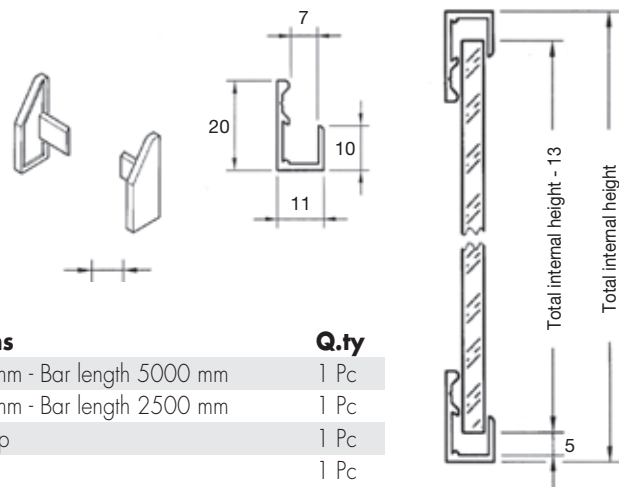
SUPPORT PROFILE FOR MIRRORS MOD. 10

Material: Aluminium

Aluminium channel to support mirrors with protective, scratch-proof film

End caps must be ordered separately

Finish: matt aluminium



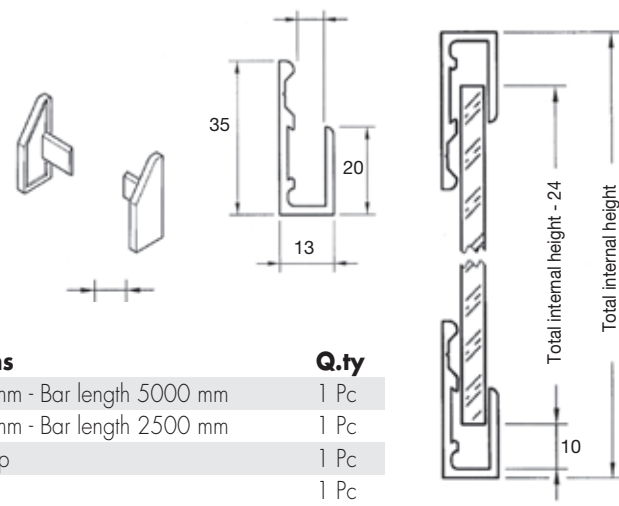
SUPPORT PROFILE FOR MIRRORS MOD. 20

Material: Aluminium

Aluminium channel to support mirrors with protective, scratch-proof film

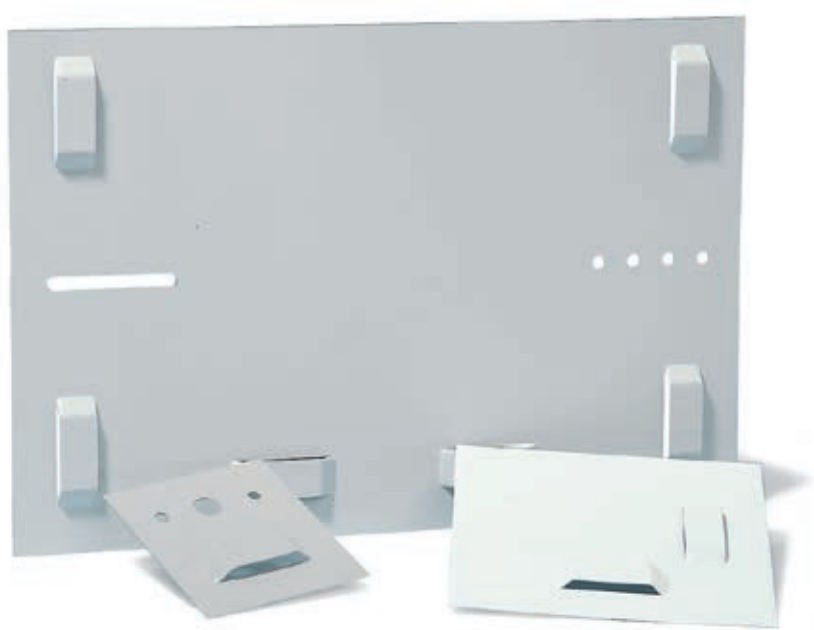
End caps must be ordered separately

Finish: matt aluminium

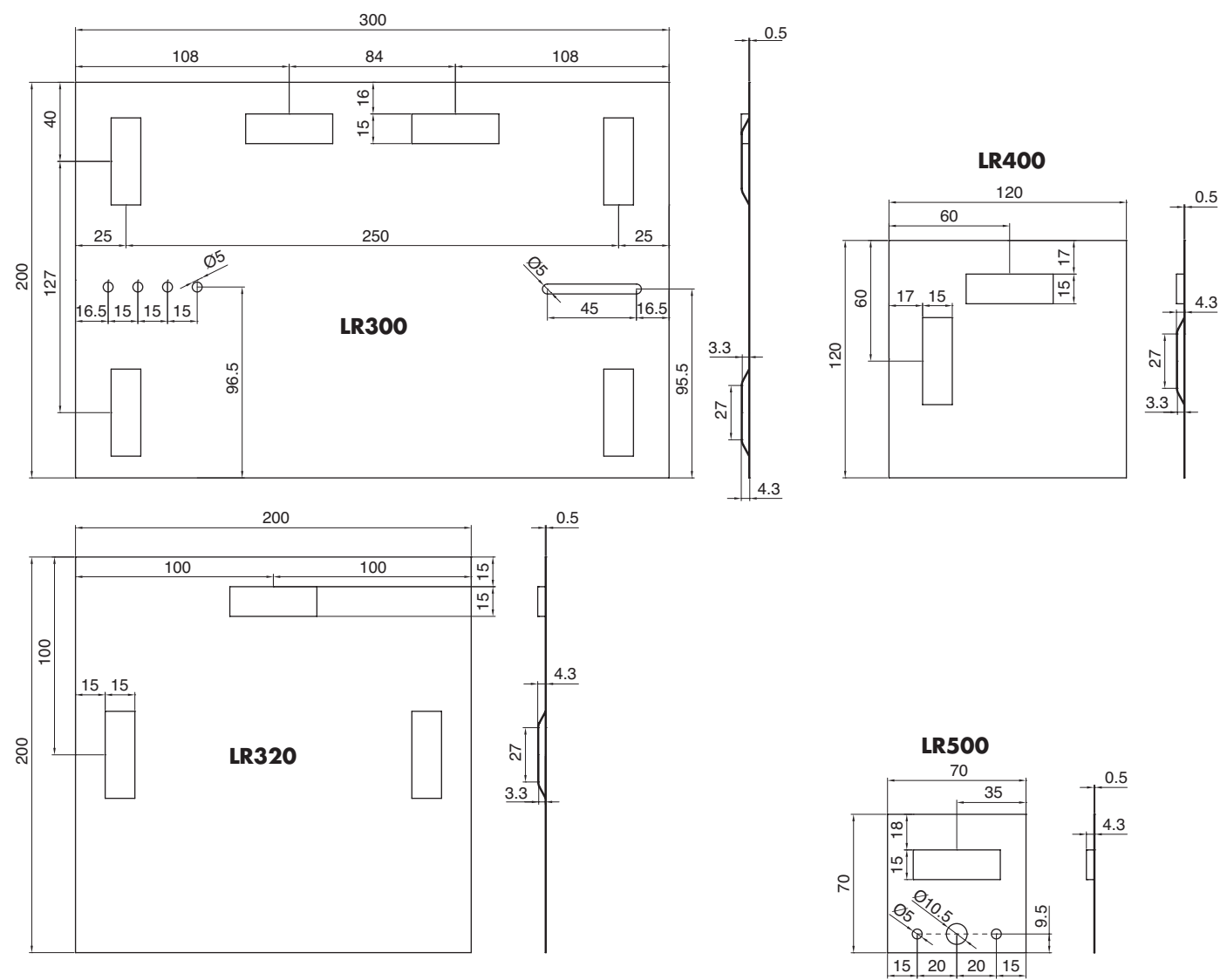


MIRROR ANCHORING PLATES

Material: AVP sheet metal
 Description: shape sheet metal various dimensions to be fixed at the back of the mirrors. Supplied with different slots for the anchoring with ATECO and ATEC5 accessories.
 Distance mirror/wall: about 5 mm.
 Finish: painted



LR - Dimensions and anchors



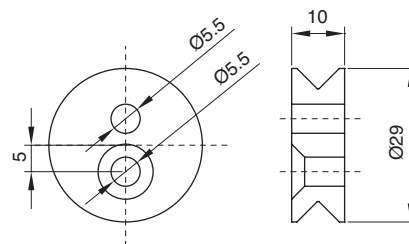
Art.	Dimensions	Q.ty
LR300	H 200 x 300 mm	1 Pc
LR320	H 200 x 200 mm	1 Pc
LR400	H 120 x 120 mm	1 Pc
LR500	H 70 x 70 mm	1 Pc

ECCENTRIC FITTING FOR 5 mm SHEET METAL

Material: POM

Features: POM eccentric fitting for mirrors

Finish: white



Art.

ATEC5

Dimensions

Ø29 x 10 mm

Q.ty

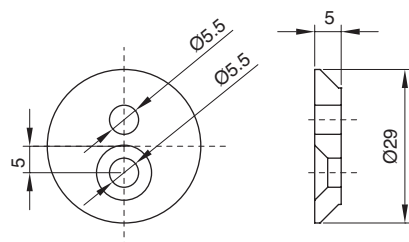
1 Paire

POM ECCENTRIC FITTING FOR MIRROR-ANCHORING SHEET METAL

Material: POM

Features: POM eccentric fitting for mirrors

Finish: white



Art.

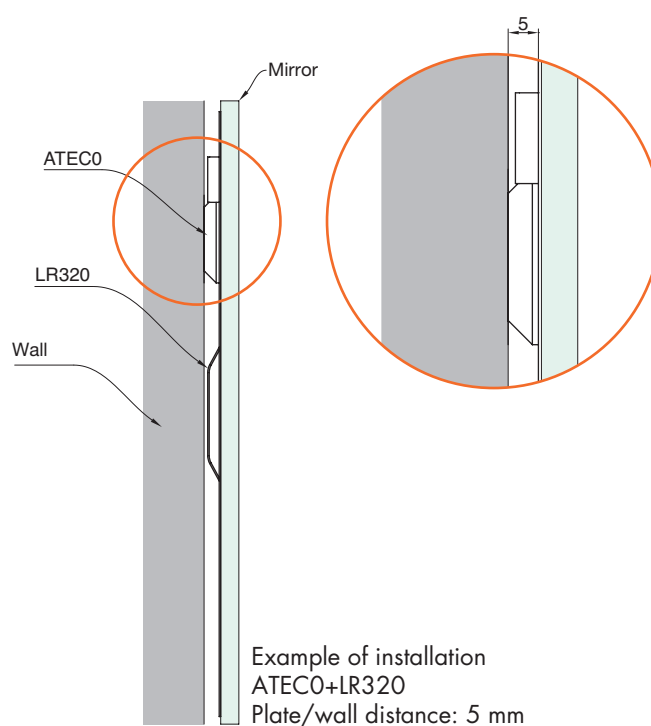
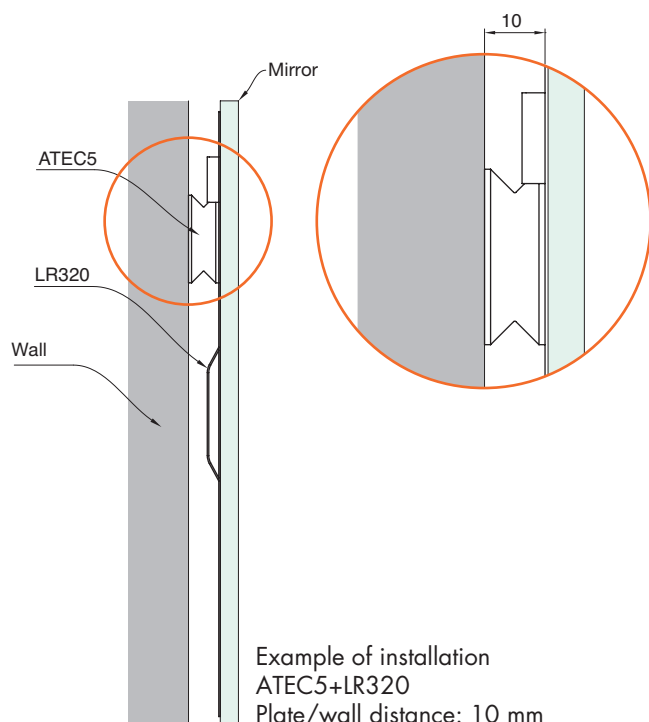
ATECO

Dimensions

Ø29 x 5 mm

Q.ty

1 Paire



SYSTEMS FOR BALUSTRADES
SYSTEMS FOR OUTDOORS
SYSTEMS FOR GLASS PARTITIONS
STEEL SYSTEMS FOR SLIDING DOORS
ALUMINIUM SYSTEMS FOR SLIDING DOORS
SYSTEMS FOR HINGED DOORS
PULL HANDLES AND KNOBS
SYSTEMS FOR SHOWER PARTITIONS



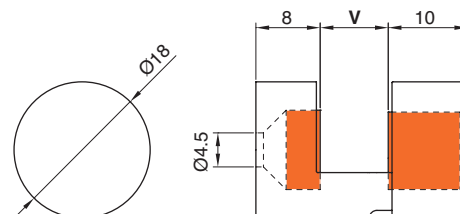
MIRROR SPACERS

BRASS ROUND MIRROR SPACER WITHOUT GLASS HOLES

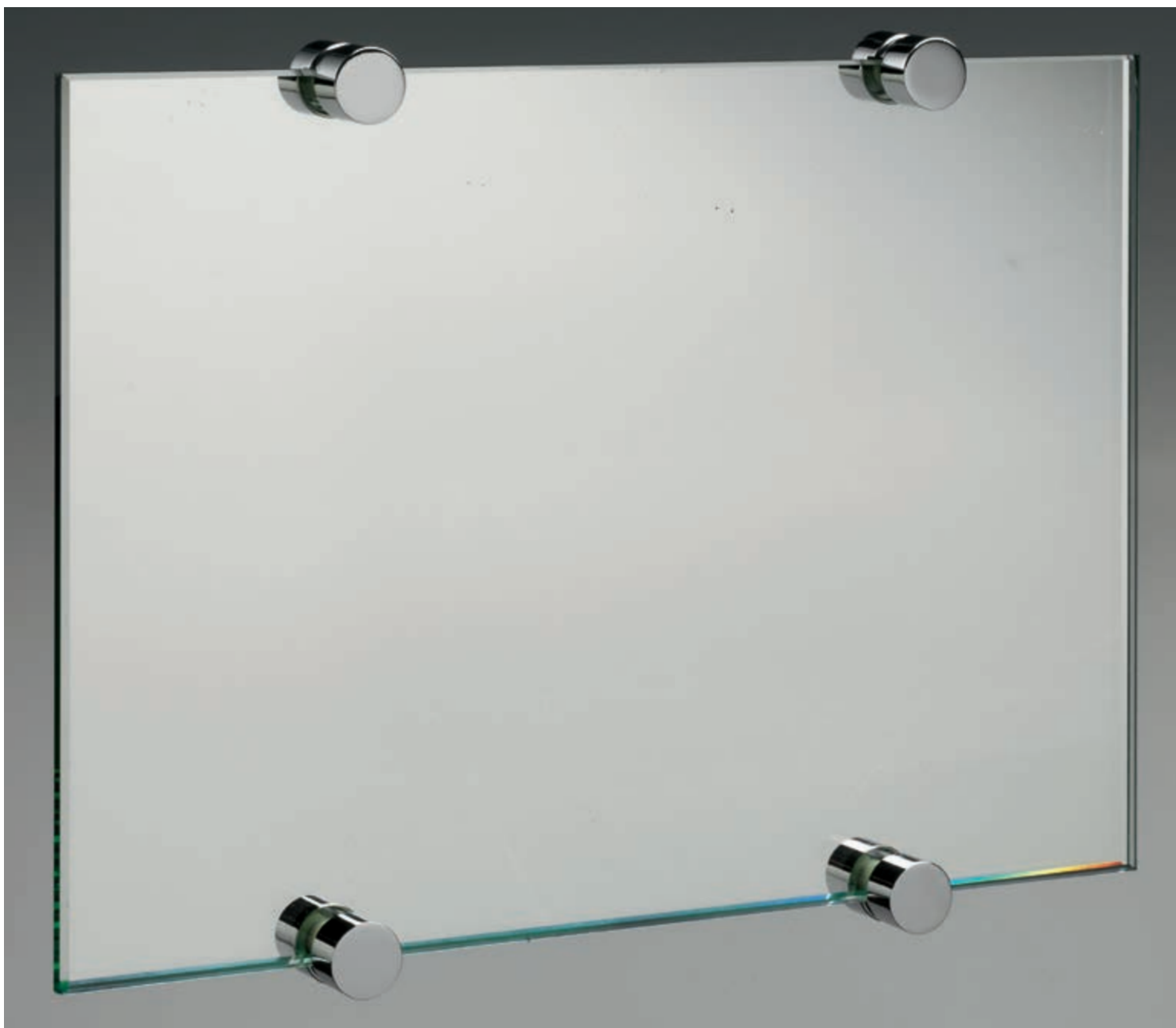
Material: brass

Features: spacer clamp to tighten mirrors

Finish: satin nickel finish, gold, chrome



Art.	Diameter	Distance from the wall	For glass	Q.ty
PATA46	Ø18 mm	8 mm	4-6 mm	1 Pc



PROTECTIVE ADHESIVE FILM FOR MIRRORS

MACbak 7000 is a polyolefinic fabric, covered with acrylic adhesive, rolled up without protection. When it is laminated to the back of a mirror, MACbak 7000 fulfils the requirements of American Standard ANSI Z97.1-1987 and British regulations BS6206 category A.



ADHESIVE SPECIFICATIONS

	Average values	Applied method
Initial Tack (N)	12	FTM 9
Peel (N/25 mm) on stainless steel		
- 30 minutes	10	FTM 1
- 24 hours	12	
Cohesion (hours)	150	FTM 8

FILM CHARACTERISTICS

Thickness (film-adhesive)	135 microns	ISO 534
Rupture strength (N)	150	ASTMD 2261
Tensile strength (N/15 mm)	SM200	DIN 53455
	ST 110	

TEMPERATURE RESISTANCE

Minimum application temperature	0
Temperature range of use	-40°C/+80°C

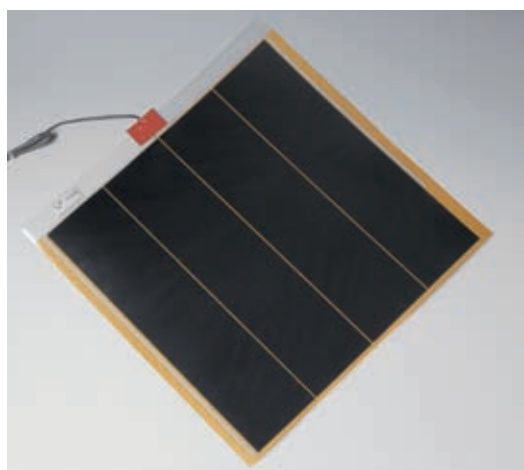
CHEMICAL RESISTANCE

(after 24 hours of immersion)	
Water	Excellent
Salt water	Excellent
2% detergent	Excellent
Oil 30 SAE	Good
Petrol	Good

STORAGE

Two years if stored between 15 and 25°C and at 50% relative humidity

Art.	Dimension	Q.ty
PEL31	780 mm X 27 lm thickness 0.13 mm	1 Pc



STOPVAPOR

Features: Ideal for poorly ventilated bathrooms, and much more. StopVapor ensures perfect limpidity of the mirror surface, where it corresponds with the heating sheet applied to the back. Easy to apply, StopVapor is self-adhesive: once the adhesive protection has been removed, simply place it on the back of the mirror at the required height. StopVapor is designed in full compliance with European safety regulations (EN 60335) and the CE marking. Safety regulations: this appliance is for indoor use only. Not suitable for any use other than the intended use. Make sure that the voltage stated on the heating sheet corresponds to the voltage on your mains network. Do not use if the cable or plug show signs of damage. The power cable cannot be replaced or repaired. In case of damage replace the entire unit. Avoid contact with water or other liquids. Do not fold the heating sheet. Do not apply to metal, plastic, wood, cardboard surfaces, or any other surface that is not a mirror.

Attention!: if the heating sheet is removed it CANNOT be used again.

Removal can easily damage it and stop it from working correctly.

Instructions: the heating sheet must be applied to the back of the mirror, and the part the sheet is applied to must be clean. Clean the surface of the mirror, peel the adhesive paper off of the

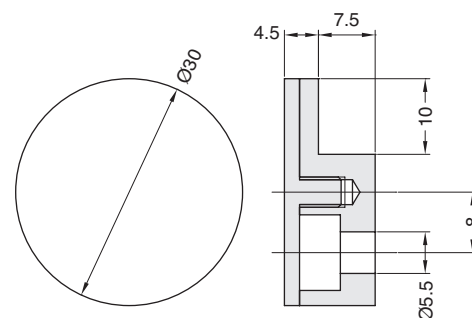
back of the sheet and apply it at the required height. There must be a 5 mm space between the mirror and the wall. This provides a space for the power cable and allows excess heat to escape. This heating element does not have a plug. It must be wired by qualified staff. Turn on the switch that is connected to the heating sheet just before getting into the shower. We advise you turn off the switch as soon as it is no longer in use. Although numerous laboratory tests have proven that prolonged and continuous use of the product does not pose a risk, it is always advisable to unplug it from the mains.

Art.	Dimensions	Power	voltage - frequency	Q.ty
STOPVAPOR0	280 x 280 mm	16 watt	230 V - 50 Hz	1 Pc
STOPVAPOR05	410 x 280 mm	24 watt	230 V - 50 Hz	1 Pc
STOPVAPOR1	500 x 500 mm	55 watt	230 V - 50 Hz	1 Pc
STOPVAPOR2	1010 x 440 mm	105 watt	230 V - 50 Hz	1 Pc

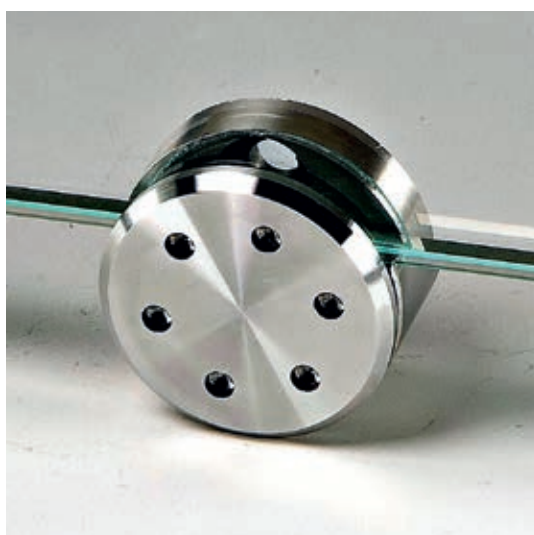


MIRROR 30

Material: brass, bar stock machined
 Finish: chrome, satin finish nickel, gold

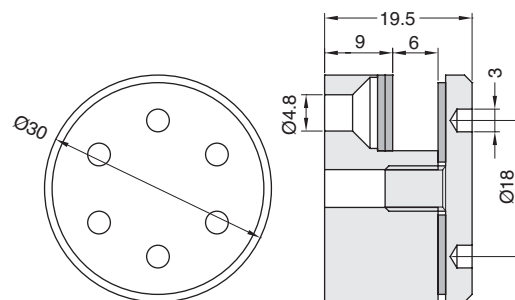


Art.	Dimensions	Internal	For glass	Q.ty
MIR30	Ø30 x L 12.3 mm	7 mm	4/6 mm	1 Pc



ÉTOILE SERIES Ø30 mm MIRROR CLIPS

Structure body: AISI 304 steel
 Features: designer mirror clips developed with close attention to every detail. It has a mirrored finish appearance with a "star" effect on the top creating reflections.
 Precision machining with the use of superior material and high performance tools, produces this mirror clip with unique features in its genre.
 Finish: CNC steel



Art.	Dimension	Distance from wall	Mirror/Glass	Q.ty
FSP193	Ø30 mm x D 18 mm	7 mm	6 mm	1 Pc

CONNECTION FOR TILTING MIRRORS

Material: brass
 Connection for tilting mirrors
 Grip dimensions: H 65 x L 25 mm internal 8 mm
 Measurements of wall connection: Ø40
 Finish: chrome



Art.	Distance from wall	For glass	Q.ty
MHAS01	45 mm	4/6 mm	1 Pair

MIRROR HOOKS - ESCO

Material: brass
Dimensions: L 20 x H 28 mm internal 7 mm
Finish: chrome

1 Set includes 4 hooks

Art.	Distance from wall	For glass	Q.ty
GAN001	6 mm	4/6 mm	1 Set

MIRROR HOOKS - VITRUM

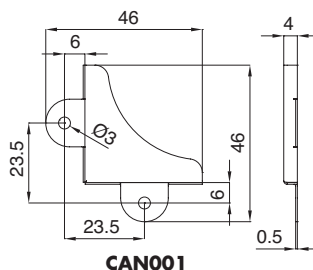
Material: steel + PVC
Dimensions: L 25 x H 36 mm internal 7 mm
Finish: steel and black

1 Set includes 4 hooks

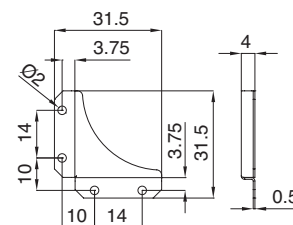
Art.	Distance from wall	For glass	Q.ty
GAN003	6 mm	6 mm	1 Set
GAN002	6 mm	4 mm	1 Set

CORNER JOINTS FOR MIRRORS

Material: brass
Finish: nickel-plated



CAN001

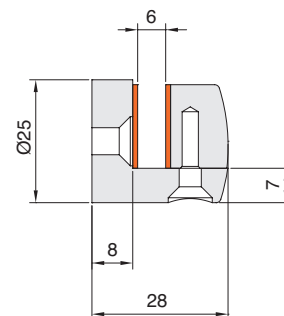


CAN002

Art.	Dimension	For glass	Q.ty
CAN001	35 x 35 mm	4 mm	1 Set
CAN002	25 x 25 mm	4 mm	1 Set

CONNECTION FOR MIRRORS 8

Material: brass
Complete with gaskets and M4 screws
Finish: chrome, gold, imitation stainless steel



Art.	Dimensions	Internal	Dist. from wall	Suitable for glass	Q.ty
MPB110	Ø25 x 28 mm	8 mm	8 mm	6 mm	1 Pc



SQUARE CONCAVE MIRRORS

Measurements: thickness 2 mm x
250 x 250
300 x 300
340 x 340

Magnifying 2X

Art.	Dimensions	Q.ty
SPECQUA1	250 X 250 thickness 2 mm	1 Pc
SPECQUA2	300 X 300 thickness 2 mm	1 Pc
SPECQUA3	340 X 340 thickness 2 mm	1 Pc



ROUND CONCAVE MIRRORS

Measurements: thickness 2 mm x
Ø200
Ø250
Ø300
Ø400

Magnifying 2X

Art.	Dimensions	Q.ty
SPECTOND1	Ø200 x thickness 2 mm	1 Pc
SPECTOND2	Ø250 x thickness 2 mm	1 Pc
SPECTOND3	Ø300 x thickness 2 mm	1 Pc
SPECTOND4	Ø400 x thickness 2 mm	1 Pc



MAGNIFYING MIRROR WITH MAGNET

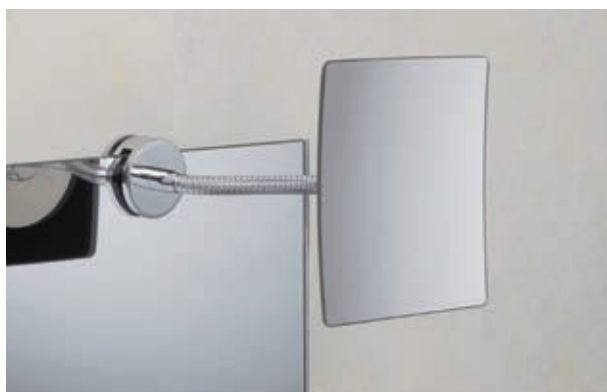
Material: brass

Features: magnet connection on mirror.

Magnifying 2X

Finish: chrome

Art.	Dimensions	Q.ty
SPEK138	Ø145 mm	1 Pc



SQUARE MAGNIFYING MIRROR 139

Material: brass

Features: connection to the mirror with flexible joint.

Magnifying 2X

Finish: chrome

Art.	Dimensions	Q.ty
SPEK139Q	150 X 150 mm	1 Pc



ROUND MAGNIFYING MIRROR 139

Material: brass

Features: connection to the mirror with flexible joint.

Magnifying 2X

Finish: chrome

Art.	Dimensions	Q.ty
SPEK139T	Ø145 mm	1 Pc

**MAGNIFYING MIRROR 141**

Material: brass
Features: wall connection with flexible joint.
Magnifying 2X
Finish: chrome

Art.	Dimensions	Q.ty
SPEK141	150 X 150 mm	1 Pc

**MAGNIFYING MIRROR 162**

Material: brass
Features: wall connection with height adjustment along articulating rod.
Magnifying 2X
Finish: chrome

Art.	Dimensions	Q.ty
SPEK162	Ø200 mm	1 Pc

**MAGNIFYING MIRROR 180**

Material: brass
Features: tilting wall connection.
Magnifying 2X
Finish: chrome

Art.	Dimensions	Q.ty
SPEK180	Ø180 mm	1 Pc

**MAGNIFYING MIRROR 215**

Material: brass
Features: wall mount on articulating rod with incorporated lighting.
Magnifying 2X
Lighting: class I appliance,
IP31 with incandescent lamp E14 Max 2x10 Watt 230V
Finish: chrome

Art.	Dimensions	Q.ty
SPEK215	Ø210 mm	1 Pc

SYSTEMS FOR
BALUSTRADES

SYSTEMS FOR
OUTDOORS

SYSTEMS FOR
GLASS PARTITIONS

STEEL
SYSTEMS FOR
SLIDING DOORS

ALUMINIUM
SYSTEMS FOR
SLIDING DOORS

SYSTEMS FOR
HINGED DOORS

PULL HANDLES
AND KNOBS

SYSTEMS FOR
SHOWER PARTITIONS



NEW LIBRA

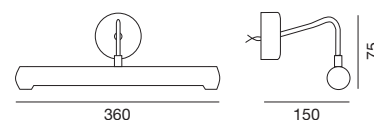
Technical features:
WALL AND MIRROR MOUNT Wall lamp
With one 90° joint
All components comply with EEC regulations
Finish: chrome, matt nickel



G9 x 2 x 28W 230V
IP 20

No transformer required.

Art.		Q.ty
LR9500	wall mount	1 Pz
LRSP9500	mirror mount	1 Pz
LRVT9500	glass mount	1 Pz



SPICA

Technical features:
GLASS MOUNT Wall lamp
With fixed body possibility of wall mount using Art. LR220
All components comply with EEC regulations
Finish: chrome
Glass shade colours: etched white



Art.	Q.ty
LR3000	1 Pz

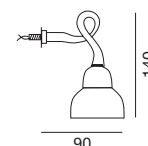
E 14 Max 40 W 230V
IP 20

No transformer required.



ALGOL

Technical features:
GLASS MOUNT Wall lamp
With fixed body possibility of wall mount using Art. LR220
All components comply with EEC regulations
Finish: chrome
Glass shade colours: etched white, light blue, pink



Art.	Q.ty
LR5200	1 Pz

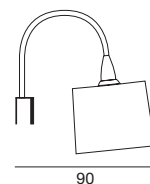
E 14 Max 40 W 230V
IP 20

No transformer required.



CRUX

Technical features:
 MIRROR MOUNT Lamp
 Includes glass Alpheratz model shade
 All components comply with EEC regulations
 Finish: chrome



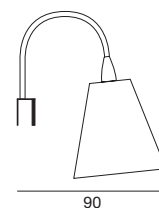
Art. **LS9200** Q.ty 1 Pz

G9 28W 230V
 IP 20 \oplus CE
 No transformer required.



SCORPIO

Technical features:
 MIRROR MOUNT Lamp
 Includes chrome-plated brass shade
 All components comply with EEC regulations
 Finish: chrome



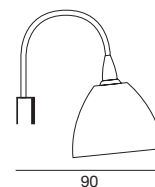
Art. **LS7000** Q.ty 1 Pz

G9 28W 230V
 IP 20 \oplus CE
 No transformer required.



SCULPTOR

Technical features:
 MIRROR MOUNT Lamp
 Includes glass Aquarius model shade
 All components comply with EEC regulations
 Finish: chrome



Art. **LS8200** Q.ty 1 Pz

G9 28W 230V
 IP 20 \oplus CE
 No transformer required.

HALOGEN LAMPS



HALOGEN G9

Technical features:
 Halogen lamp G9 40W 230V
 Halogen lamp G9 does not require
 the use of a transformer

Art.	Q.ty
LS1000	1 Pc

HALOGEN G4

Technical features:
 Halogen lamp G4 20W 12V

Art.	Q.ty
LS68	1 Pc

HALOGEN G6

Technical features:
 Halogen lamp G6 50W 12V

Art.	Q.ty
LS685	1 Pc

ELECTRONIC TRANSFORMERS



TRANSFORMER 60W

Technical features:
 Electronic transformer 60W 230V - 12V
 Dimensions: L 86 H 21 D 30 mm

Art.	Q.ty
LR970	1 Pc

TRANSFORMER 105W

Technical features:
 Electronic transformer 105W 230V - 12V
 Dimensions: L 107 H 21 D 35 mm

Art.	Q.ty
LR950	1 Pc

WALL MOUNT



ROUND WALL MOUNT

Technical features:
 Round wall mount
 Dimensions: Ø80 H 25 mm
 For luce starlight series lamps. Finish: chrome

Art.	Q.ty
LR220	1 Pc

SYSTEMS FOR BRUSHRADES
 SYSTEMS FOR OUTDOORS
 SYSTEMS FOR GLASS PARTITIONS
 STEEL SYSTEMS FOR SLIDING DOORS
 ALUMINIUM SYSTEMS FOR SLIDING DOORS
 SYSTEMS FOR HINGED DOORS
 PULL HANDLES AND KNOBS
 SYSTEMS FOR SHOWER PARTITIONS